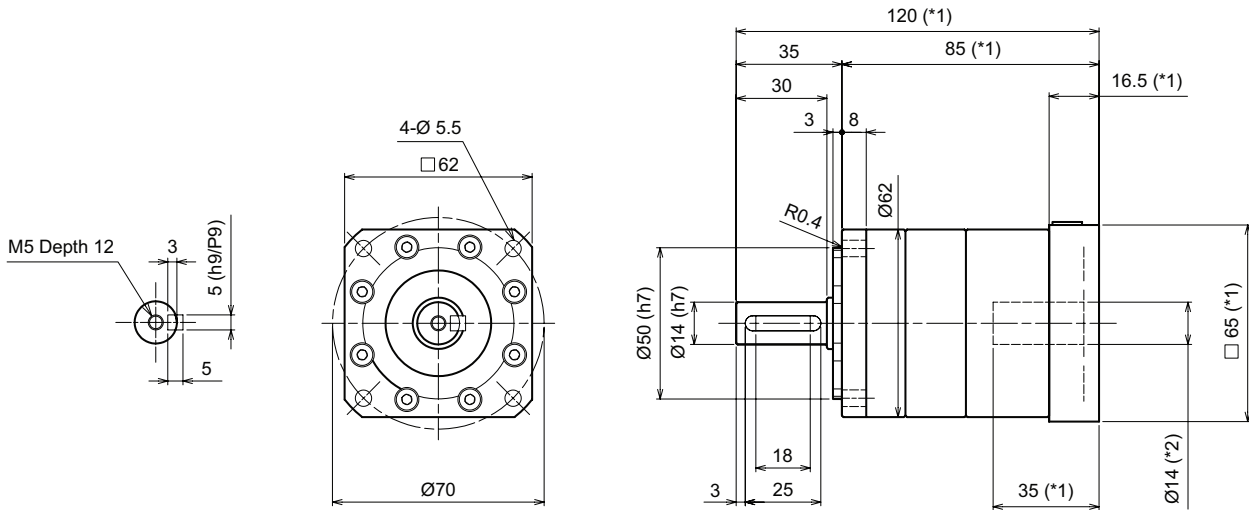


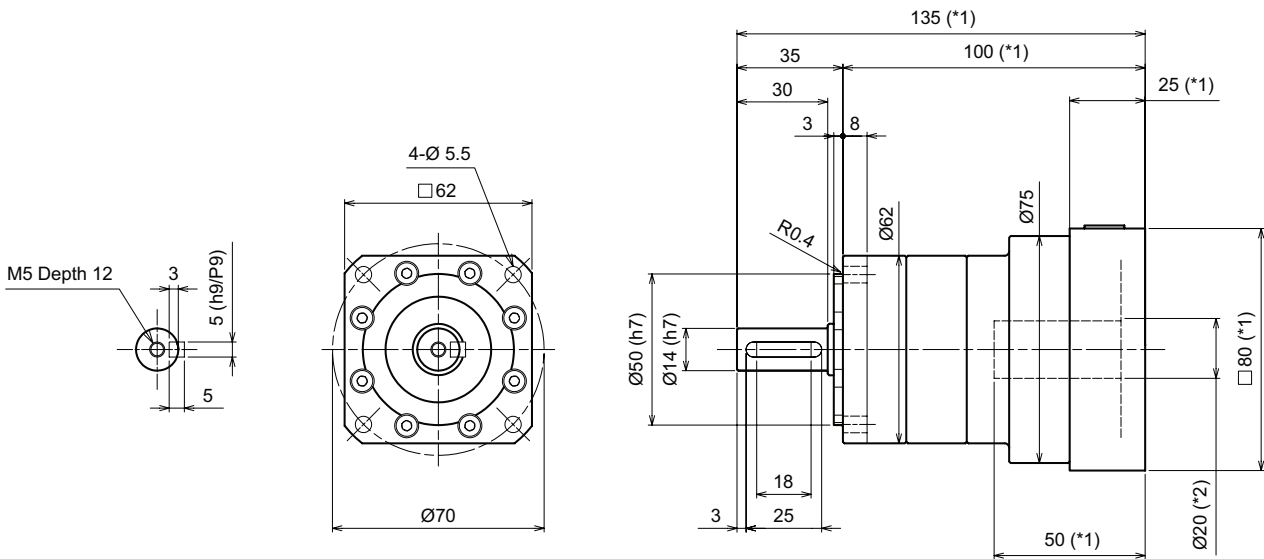
PRF SERIES Inline Planetary

PRF o62 1-Stage Dimensions

Input bore size $\leq \varnothing 14$ mm



Input bore size $\leq \varnothing 19$ mm

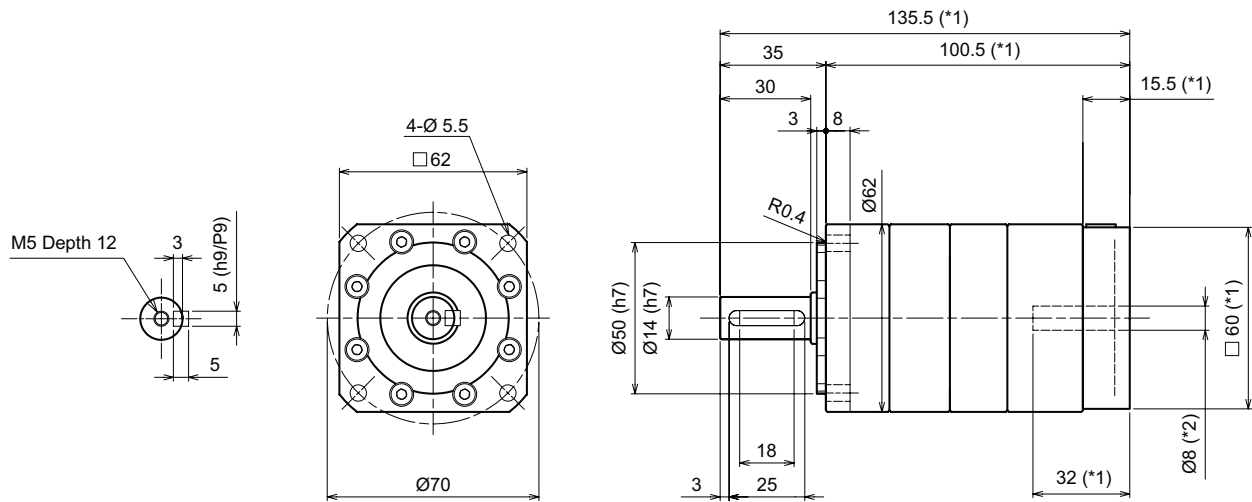


*1) Length will vary depending on motor

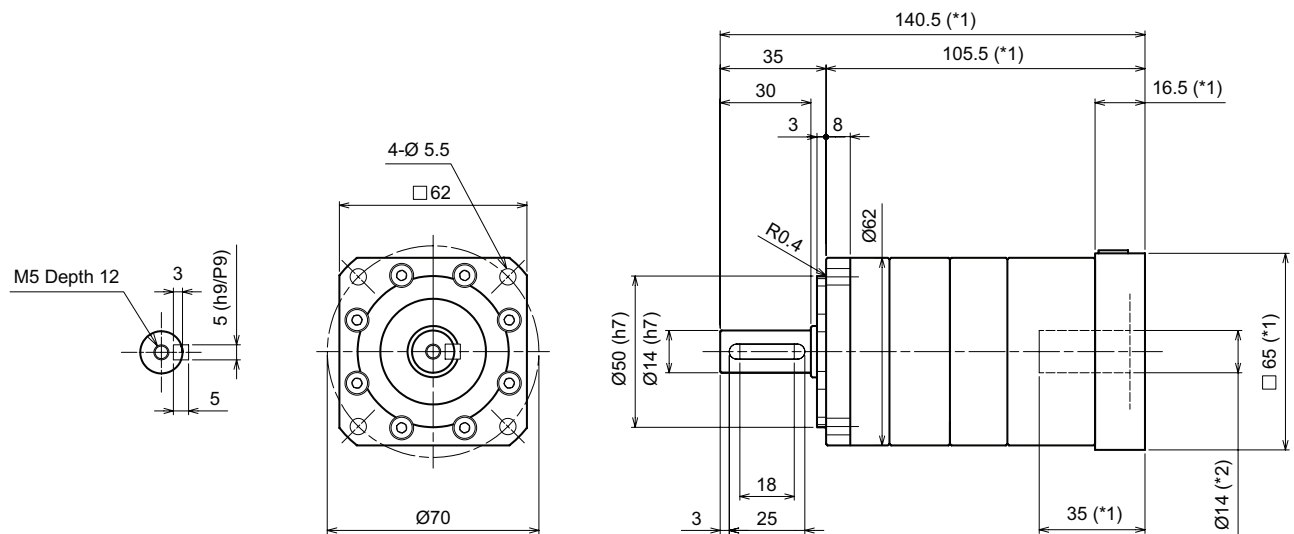
*2) Bushing will be inserted to adapt to motor shaft

PRF o62 2-Stage Dimensions

Input bore size $\leq \phi 8$ mm



Input bore size $\leq \phi 14$ mm



*1) Length will vary depending on motor

*2) Bushing will be inserted to adapt to motor shaft