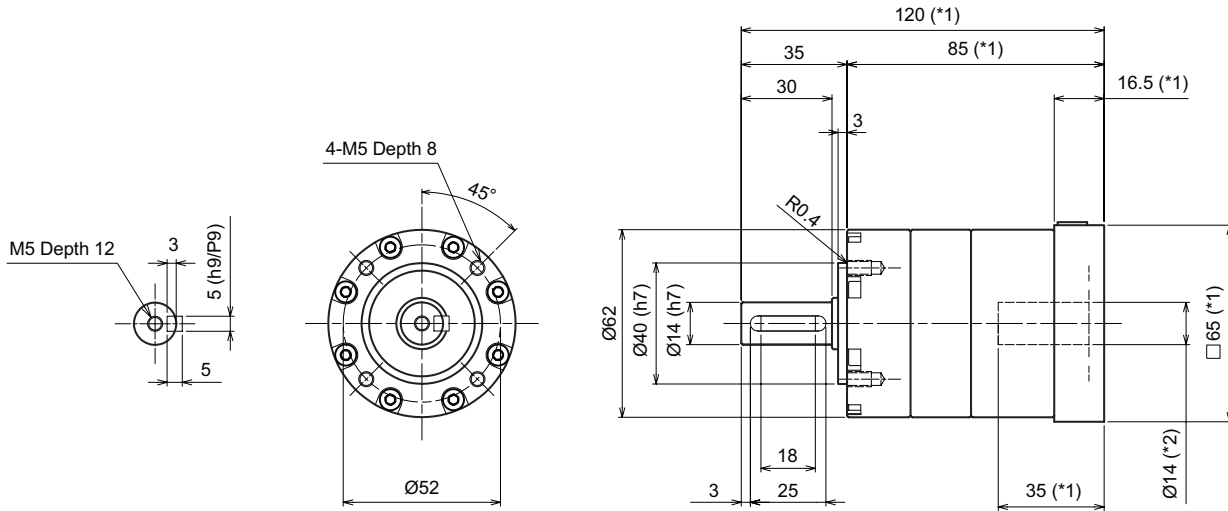


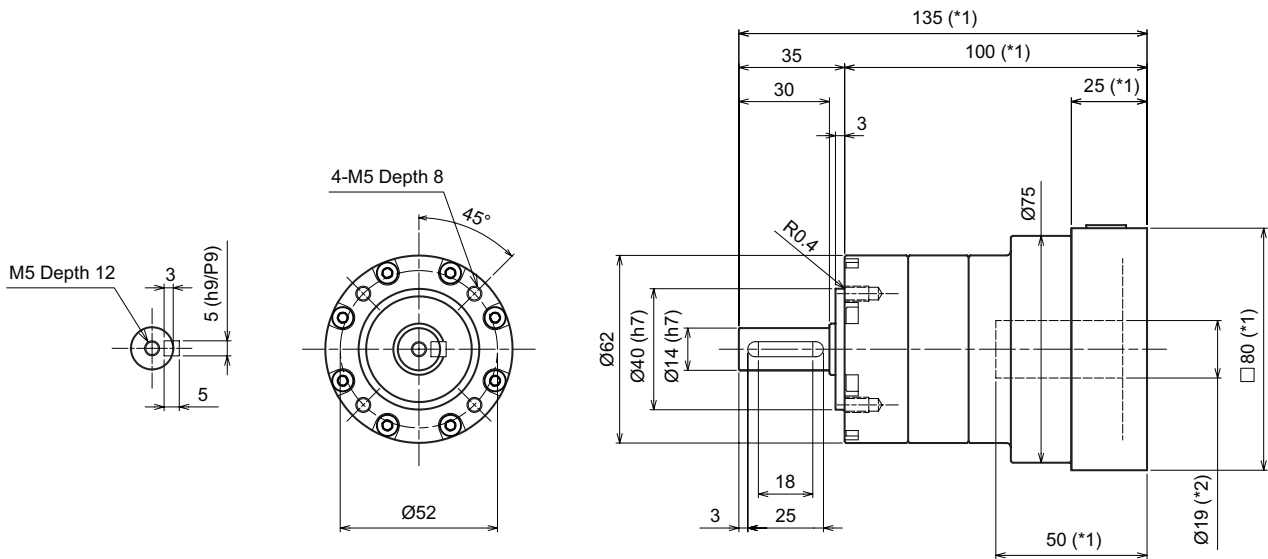
# PRE SERIES Inline Planetary

## PRE o62 1-Stage Dimensions

Input bore size  $\leq \varnothing 14$  mm



Input bore size  $\leq \varnothing 19$  mm

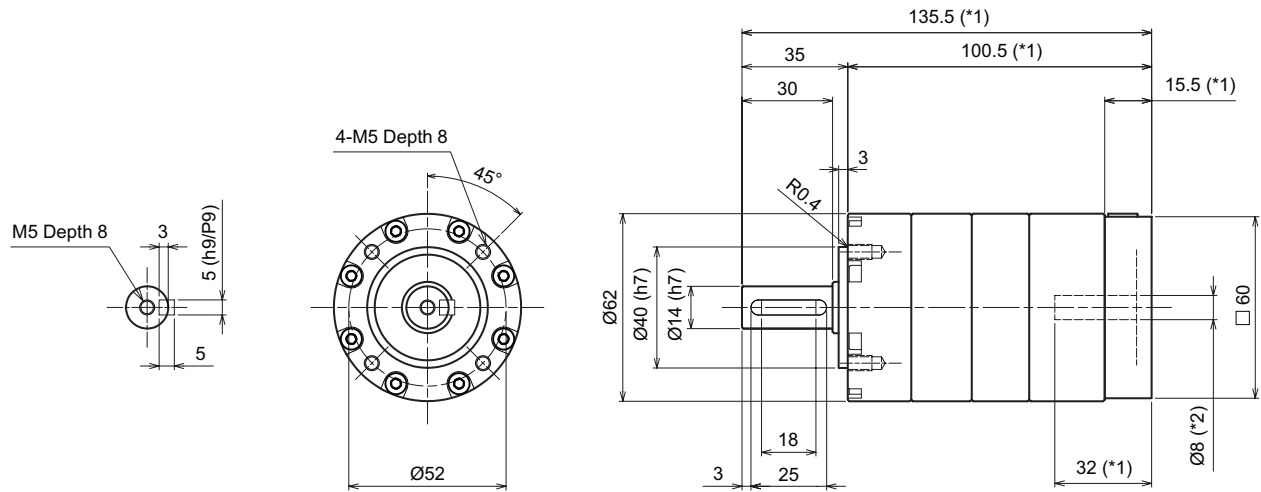


\*1) Length will vary depending on motor

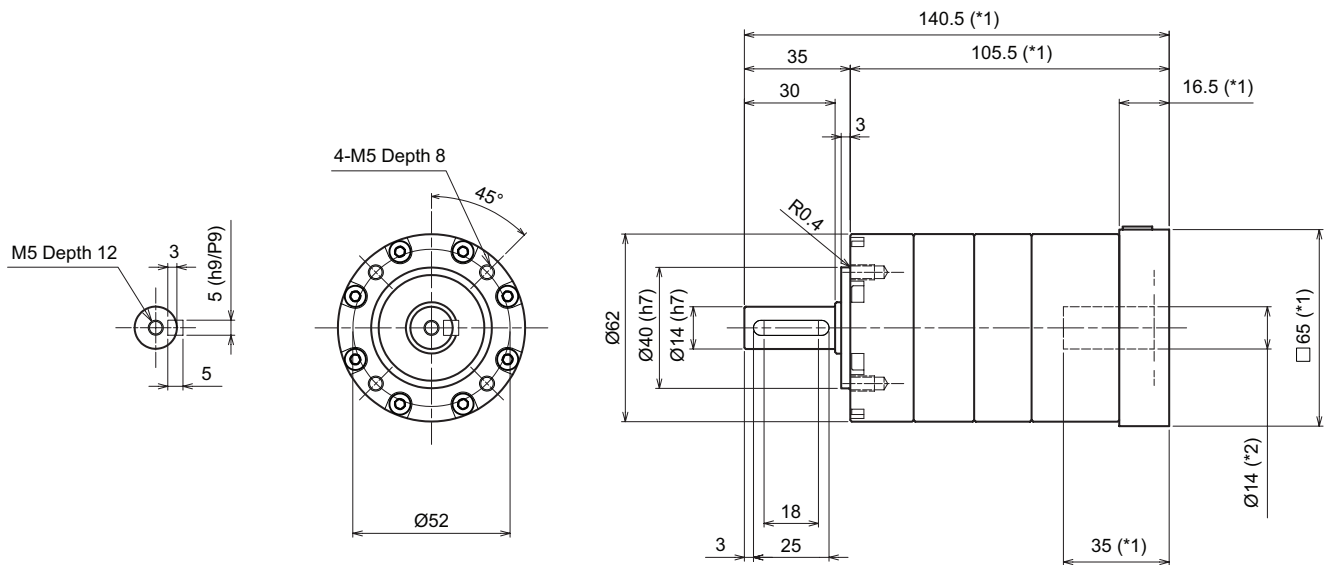
\*2) Bushing will be inserted to adapt to motor shaft

## PRE o62 2-Stage Dimensions

Input bore size  $\leq \phi 8$  mm



Input bore size  $\leq \phi 14$  mm



\*1) Length will vary depending on motor

\*2) Bushing will be inserted to adapt to motor shaft