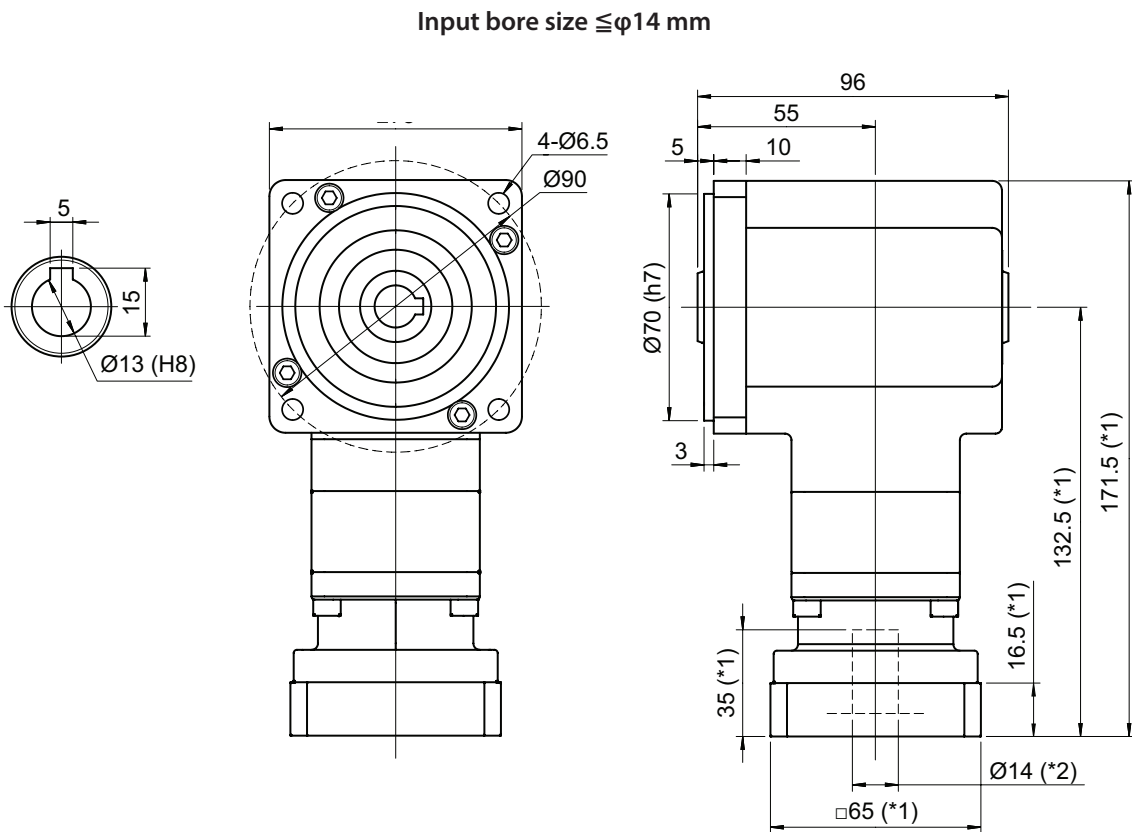
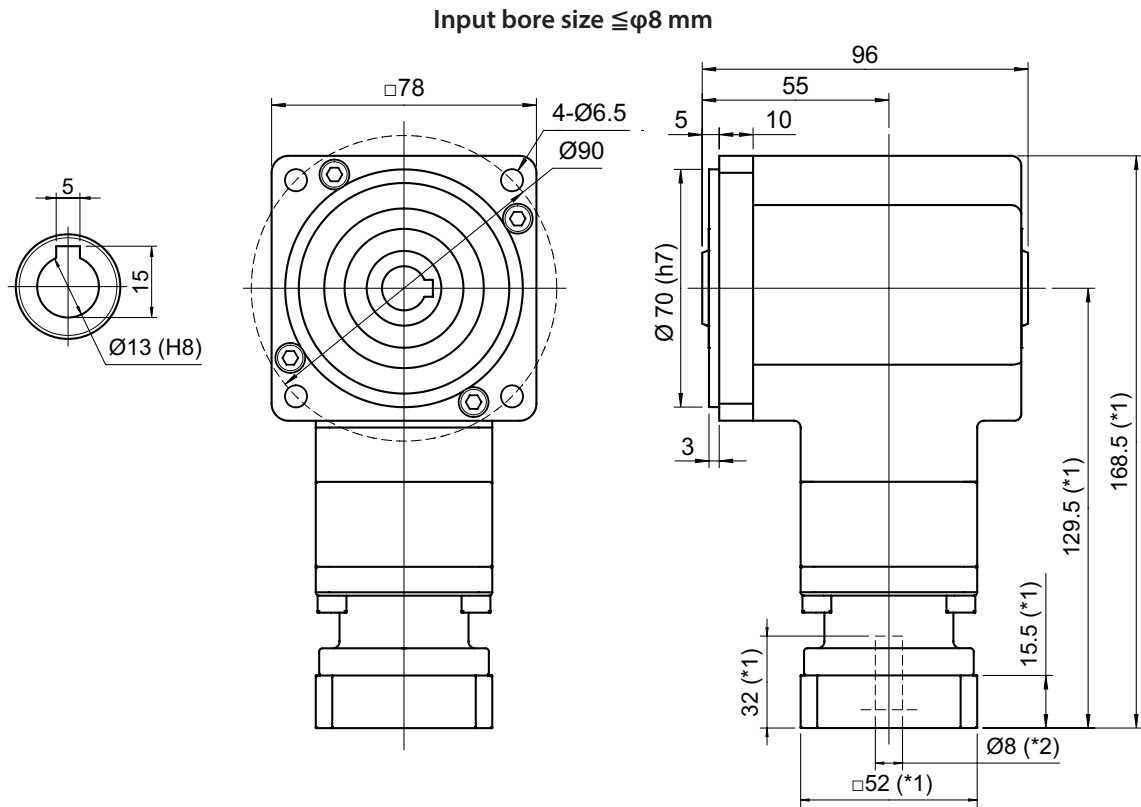


NEV SERIES Right-angle Planetary

NEV B-Frame (78mm) 2-Stage Dimensions – Ratios: 5:1, 9:1, 15:1, 27:1

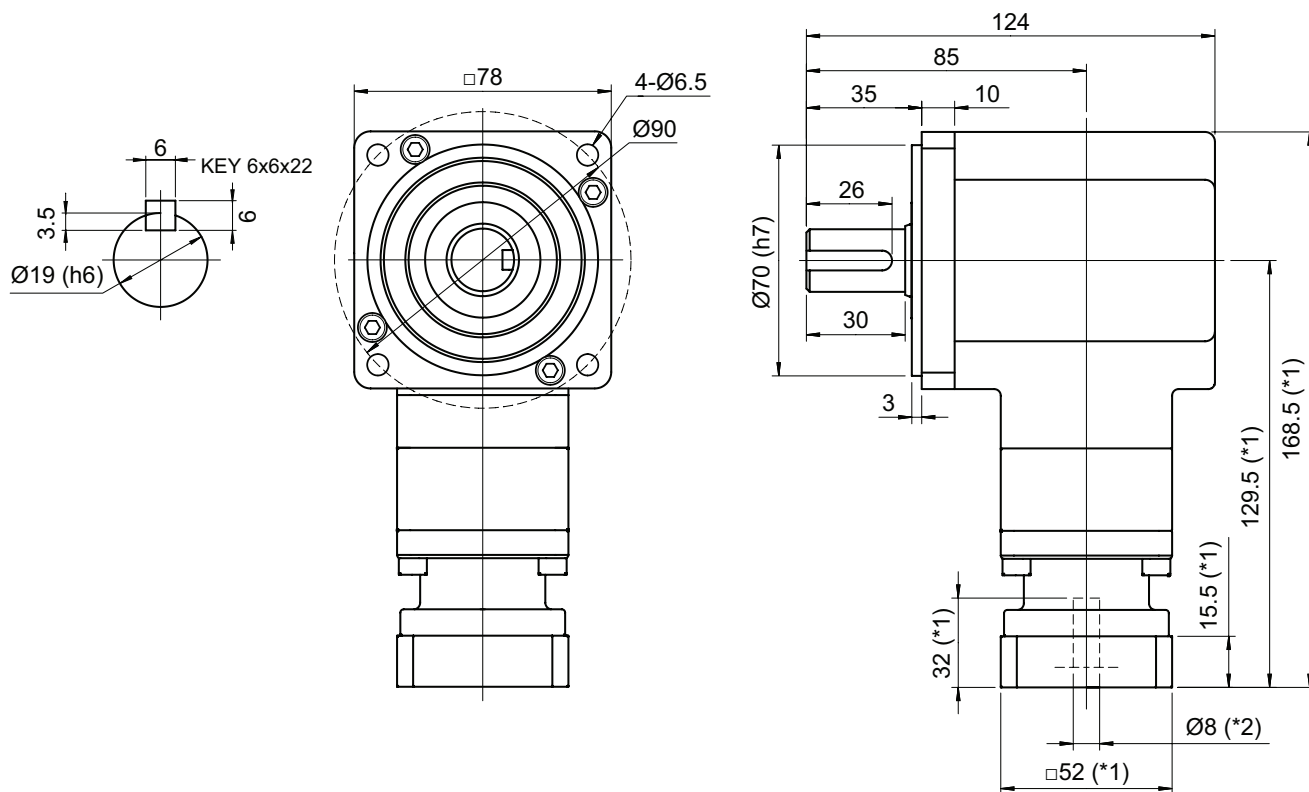


*1) Length will vary depending on motor

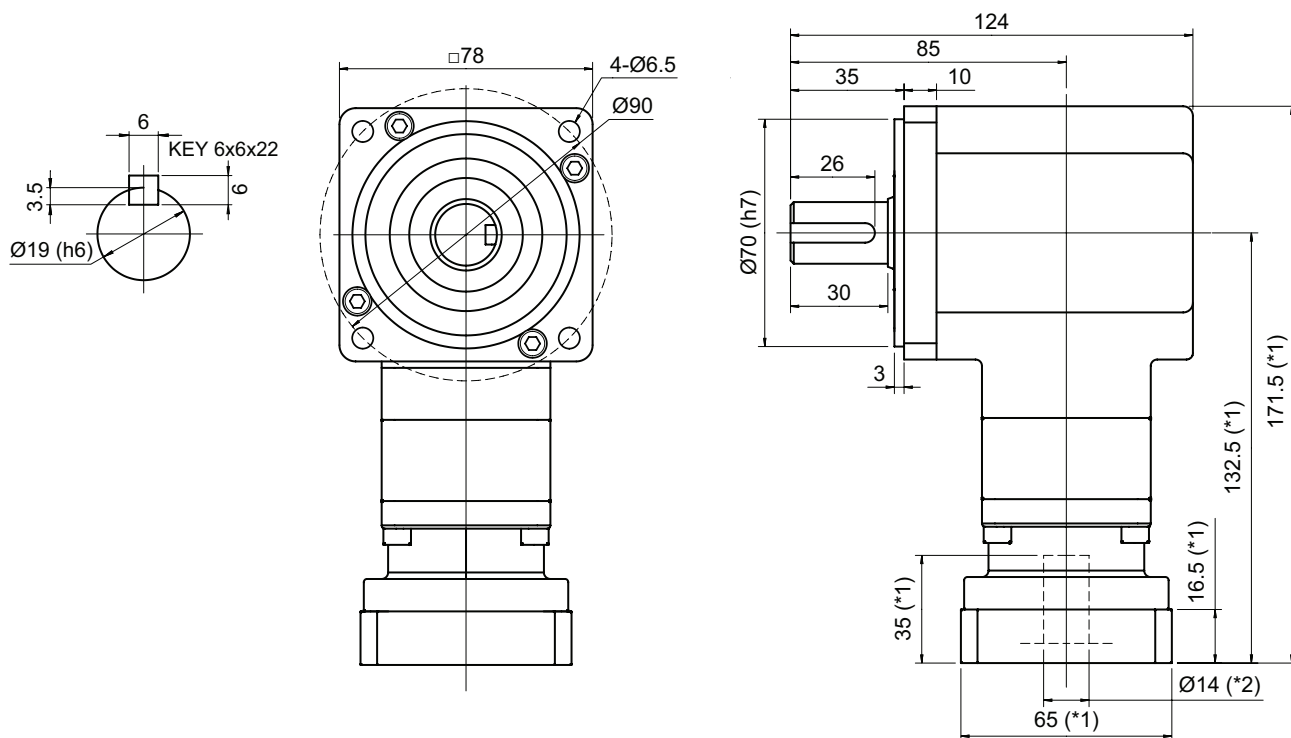
*2) Bushing will be inserted to adapt to motor shaft

NEV B-Frame (78mm) 2-Stage Dimensions – Ratios: 5:1, 9:1, 15:1, 27:1

Input bore size $\leq \varnothing 8$ mm



Input bore size $\leq \varnothing 14$ mm



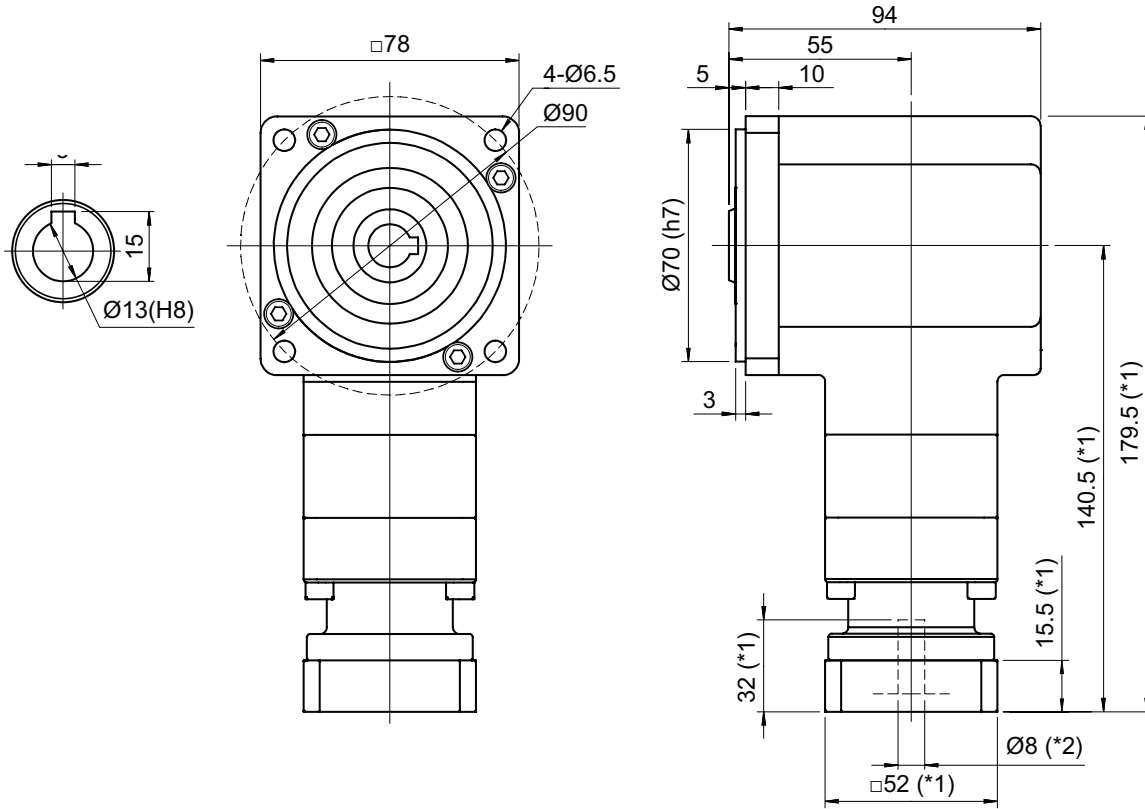
*1) Length will vary depending on motor

*2) Bushing will be inserted to adapt to motor shaft

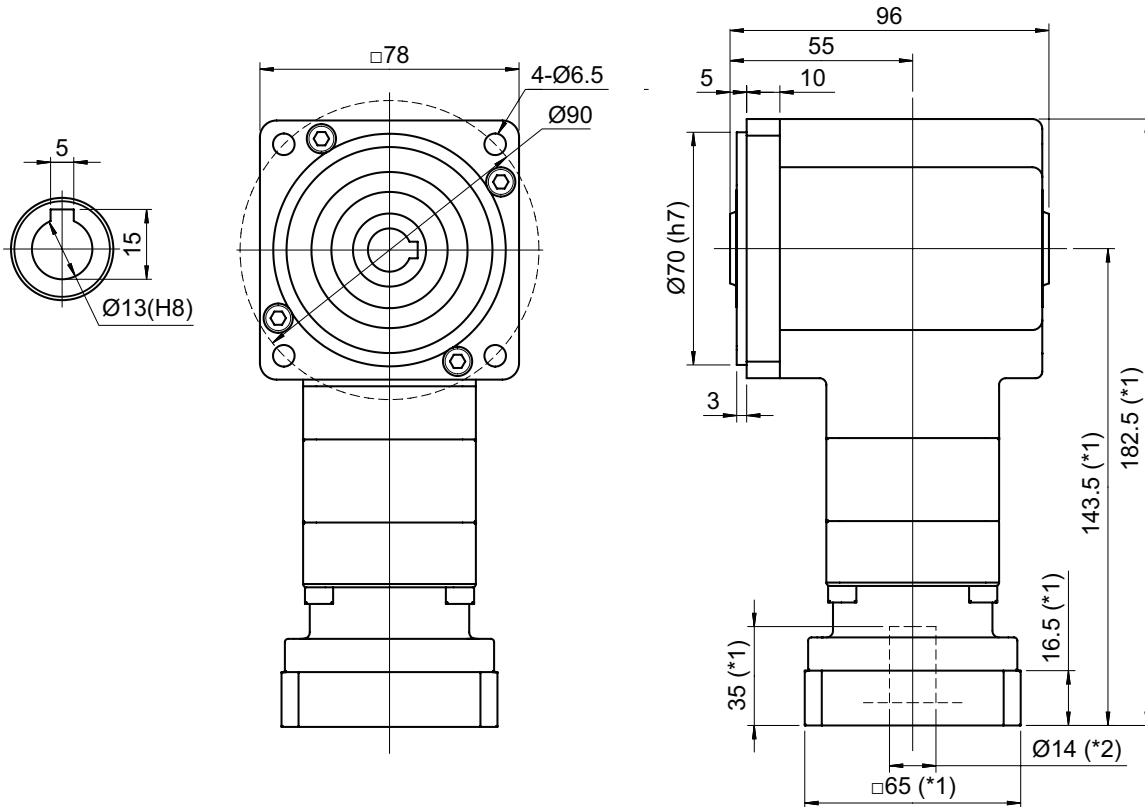
NEV SERIES Right-angle Planetary

NEV B-Frame (78mm) 3-Stage Dimensions – Ratios: 45:1, 75:1, 105:1

Input bore size $\leq \phi 8$ mm



Input bore size $\leq \phi 14$ mm

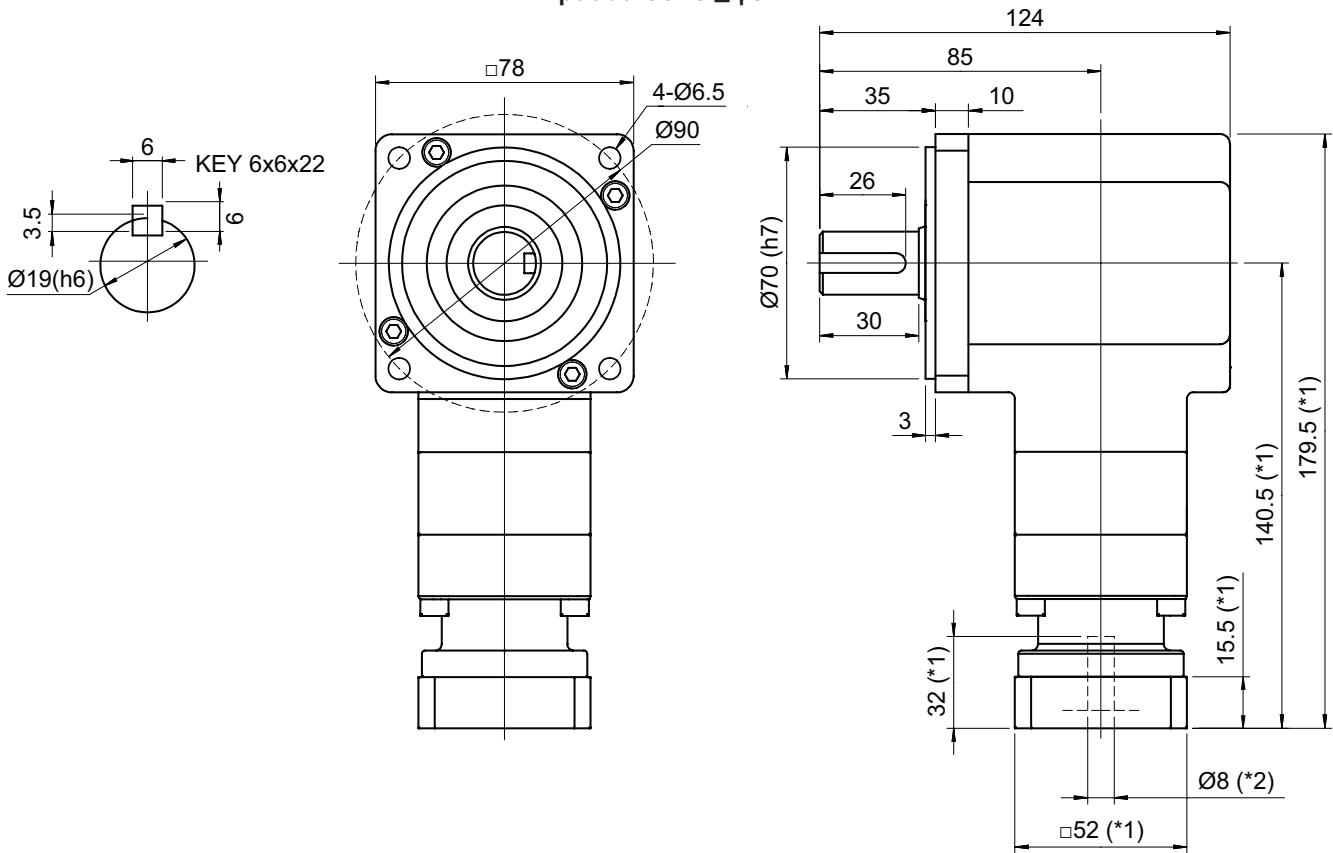


*1) Length will vary depending on motor

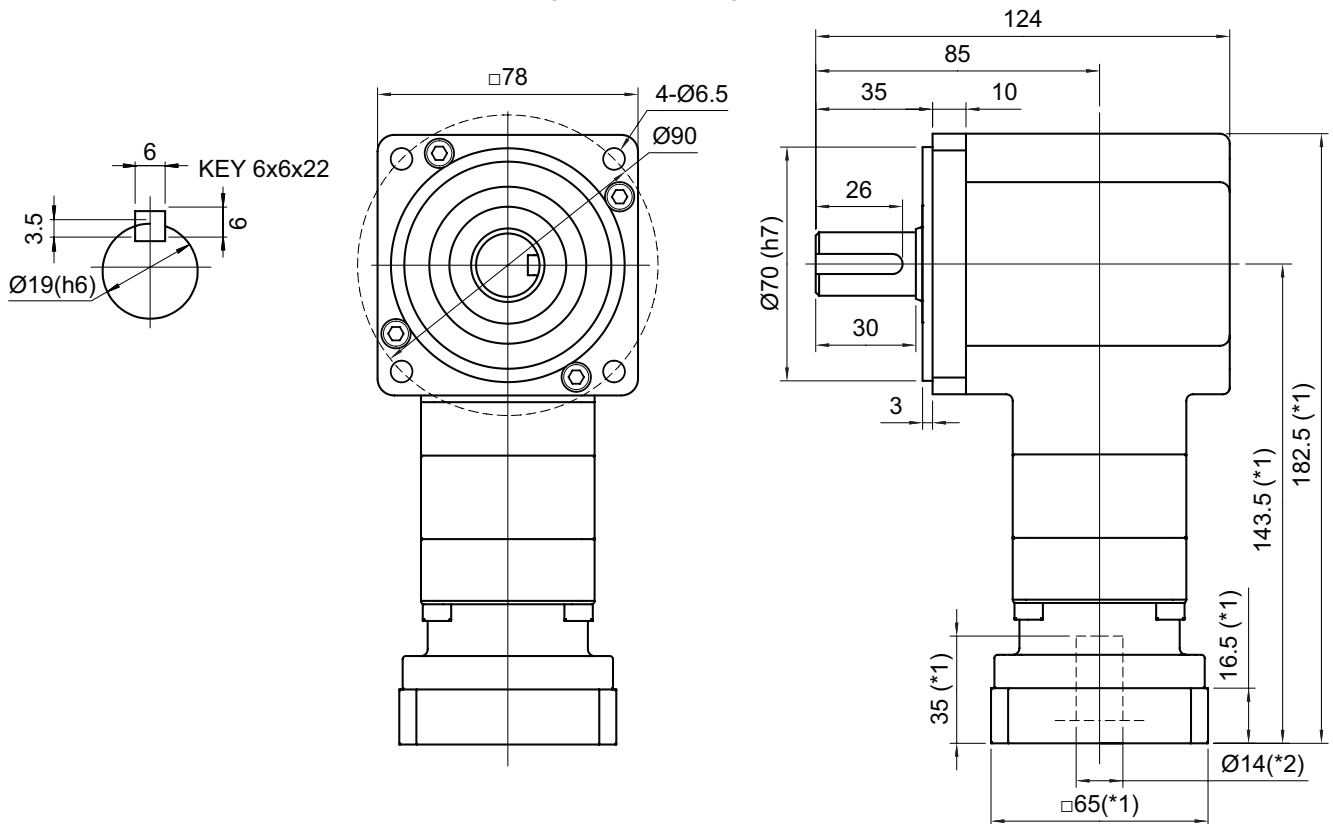
*2) Bushing will be inserted to adapt to motor shaft

NEV B-Frame (78mm) 3-Stage Dimensions – Ratios: 45:1, 75:1, 105:1

Input bore size $\leq \varnothing 8$ mm



Input bore size $\leq \varnothing 14$ mm



*1) Length will vary depending on motor

*2) Bushing will be inserted to adapt to motor shaft