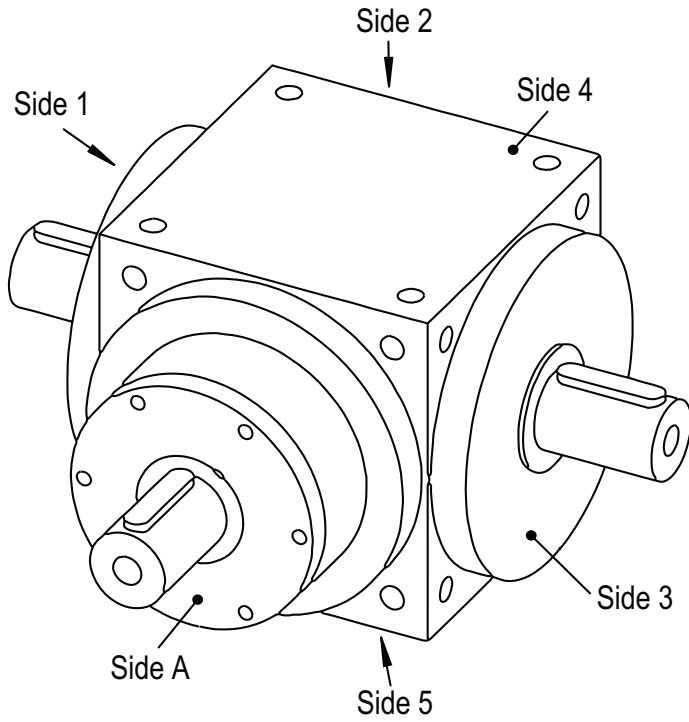
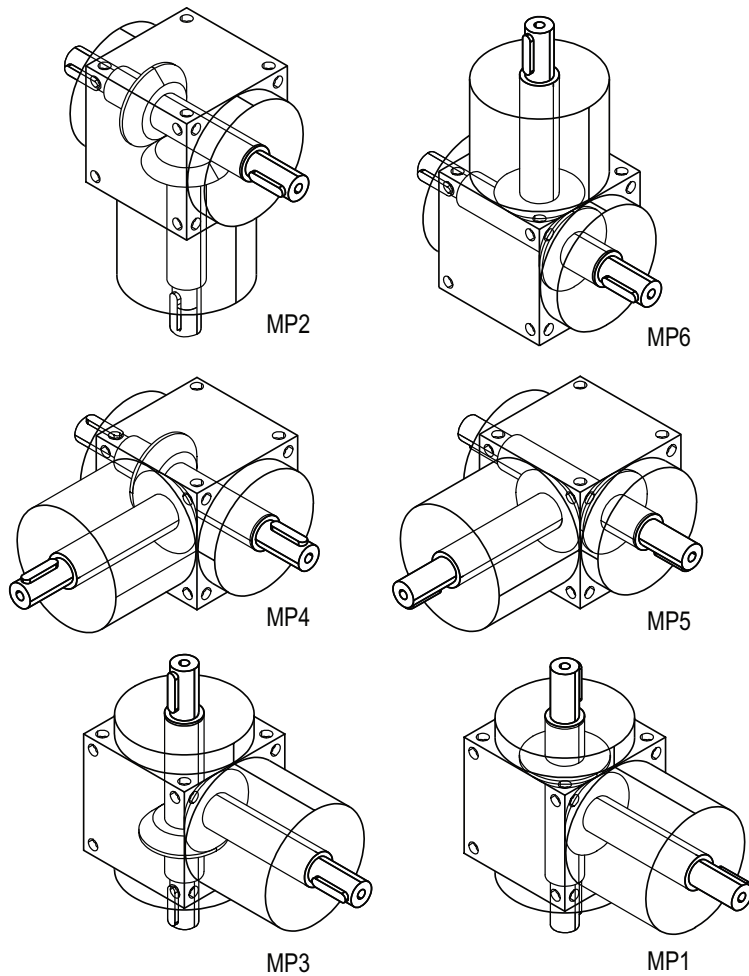


Side Definition

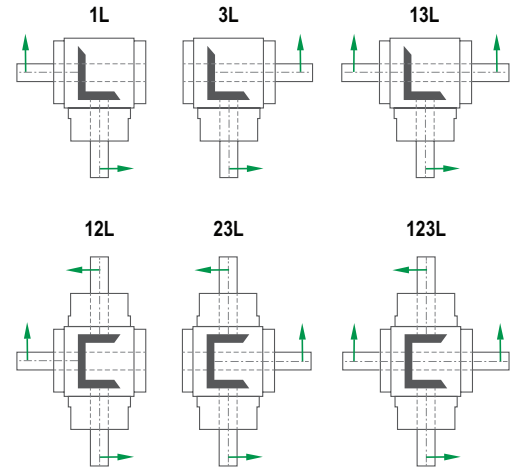


Mounting Positions

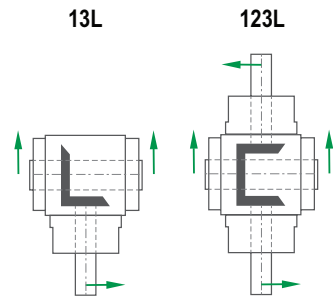


Shaft Arrangements & Driving Configurations

Solid Output



Hollow Output



Hollow Output with Shrink Disc Shaft

