

# RXC SERIES Mechanical Adjustable Speed Drive

## Dimensions

### Flange Mount, Input C-Face, No Reducer, Sizes 02-95

Size	Model Code	DF	FA	FB	FC	HL	HO	KO	K1	K2
2X	NMB0200 & NMB0400	N/A	5.88	4.50	6.50	3.35	6.3	N/A	3.63	2.17
3X	NMA0500 & NMA0700	N/A	5.88	4.50	6.50	4.06	7.21	4.93	4.80	2.92
4X	NMA1000 & NMA1500	N/A	7.25	8.50	9.00	4.49	7.64	6.38	4.80	2.92
5X	NMA2200	N/A	7.25	8.50	9.00	5.39	9.65	6.19	6.15	4.09
6X	NMA3700	N/A	7.25	8.50	9.00	6.42	11.0	7.68	6.89	4.84
7X	NMA5500	13.19	7.25	8.50	9.13	7.28	12.0	8.31	6.89	4.84
7.5X	NMA7500	14.18	7.25	8.50	9.13	7.28	12.0	8.31	9.02	4.84
8X	NMA91 & NMA95	15.15	9	10.5	11.13	9.76	14.45	11.03	9.89	5.63

Size	Model Code	LE	LG	LK	LR	LZ	Q	R	S	T
2X	NMB0200 & NMB0400	0.13	0.39	9.28	2.06	3/8-16UNC	1.88	5.15	0.625	0.71
3X	NMA0500 & NMA0700	0.13	0.47	11.56	2.06	3/8-16UNC	1.88	6.48	0.625	1.05
4X	NMA1000 & NMA1500	0.23	0.40	14.68	2.37	1/2-13UNC	2.75	8.58	1.125	1.05
5X	NMA2200	0.25	0.54	16.45	2.37	1/2-13UNC	2.75	9.25	1.125	1.22
6X	NMA3700	0.25	N/A	19.32	2.87	1/2-13UNC	3.38	11.25	1.375	1.54
7X	NMA5500	0.25	N/A	22.67	3.51	1/2-13UNC	4.00	12.3	1.625	1.54
7.5X	NMA7500	0.25	N/A	22.67	3.51	1/2-13UNC	4.00	12.3	1.625	1.54
8X	NMA91 & NMA95	0.25	N/A	29.71	4.37	1/2-13UNC	4.63	16.36	1.875	2.36

Size	Model Code	Output Key	Hand-wheel Dia.	Hand-wheel Turns	Weight w/o Motor (lbs.)	Lube Qty (gal.)*	Input C-Face
2X	NMB0200 & NMB0400	.188x.188x1.37	2.56	18	22	0.11	56C
3X	NMA0500 & NMA0700	.188x.188x1.37	3.15	18	56	0.26	56C
4X	NMA1000 & NMA1500	.250x.250x2.16	3.15	19	74	0.50	140TC
5X	NMA2200	.250x.250x2.16	4.72	23	122	0.71	180TC
6X	NMA3700	.313x.313x2.75	4.72	20	219	1.23	180TC
7X	NMA5500	.375x.375x3.14	4.72	23	296	1.43	210TC
7.5X	NMA7500	.375x.375x3.14	6.30	23	308	1.43	210TC
8X	NMA91 & NMA95	.500x.500x3.74	6.3	21	555	4.00	250TC

\* For vertical down mounting

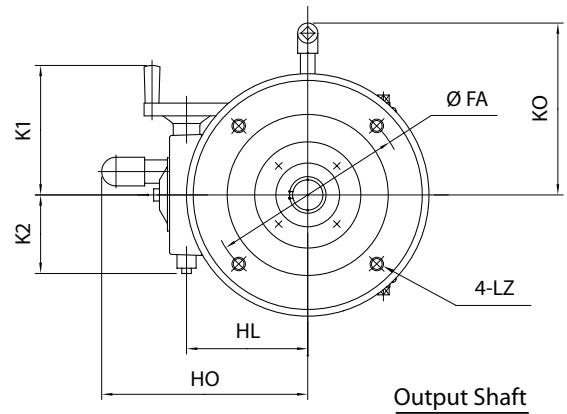
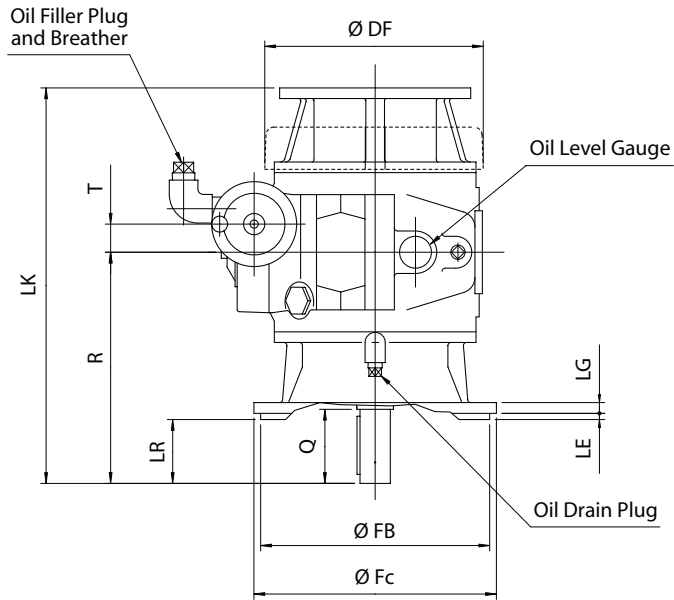
Units are shipped factory lubricated.

Unless otherwise noted, all lengths are in inches.

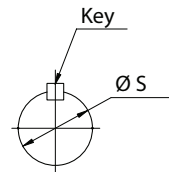
Contact NIDEC-SHIMPO for certified drawings for installation purposes.

## Dimensions

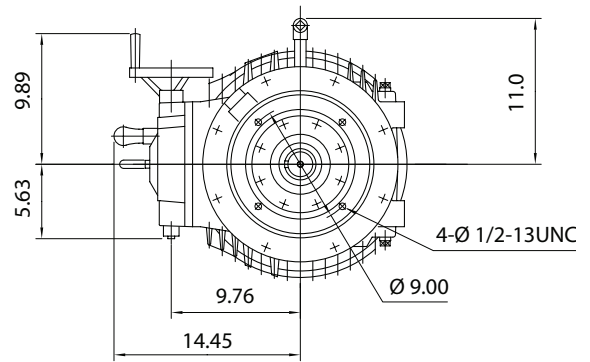
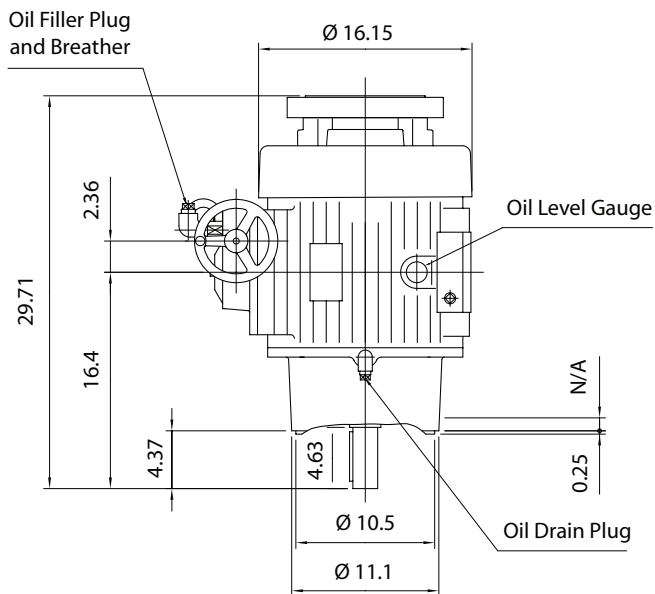
### Flange Mount, Input C-Face, No Reducer, Sizes 02-75 (2x-7.5x)



#### Output Shaft



### Flange Mount, Input C-Face, No Reducer, Sizes 91-95 (8x)



#### Output Shaft

