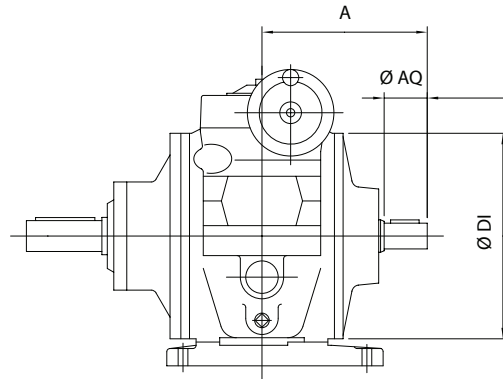


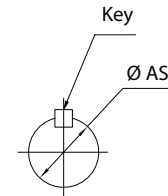
RXC SERIES Mechanical Adjustable Speed Drive

Dimensions

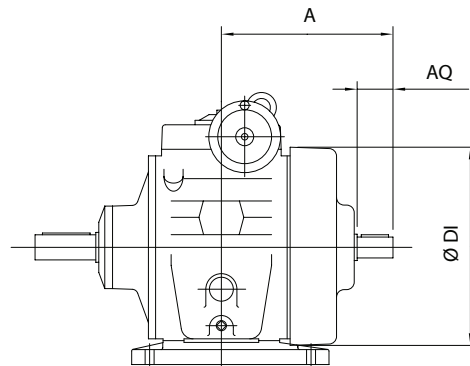
Shaft Input, Size 02-15 (2x-4x)



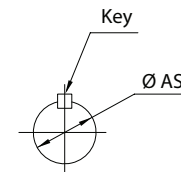
Input Shaft



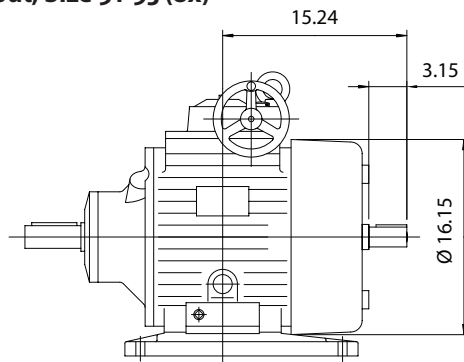
Shaft Input, Size 22-75 (5x-7.5x)



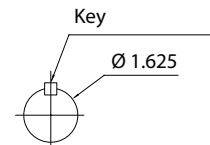
Input Shaft



Shaft Input, Size 91-95 (8x)



Input Shaft



Shaft Input, Size 02-95 (2x-8x)

Size	RX Model Number	A	AQ	AS	DI	Input Shaft Key	Weight (lbs.)	Lube Qty (gal.) *
2X	NXC02 & NXC04	4.66	1.00	0.625	5.36	3/16x3/16x0.50	24	0.05
3X	NXC02 & NXC04	5.12	1.19	0.625	6.54	3/16x3/16x0.78	45	0.13
4X	NXA10 & NXA15	6.02	1.57	0.938	7.48	1/4x1/4x0.98	65	0.21
5X	NXA22	8.86	2.00	0.938	10.16	1/4x1/4x1.37	106	0.48
6X	NXA37	10.04	2.00	1.125	12.21	1/4x1/4x1.37	171	0.66
7X	NXA55	11.30	2.36	1.375	13.19	3/16x5/16x1.77	225	0.74
7.5X	NXA75	11.30	2.36	1.375	14.18	3/16x5/16x1.77	235	0.74
8X	NXA91 & NXA95	15.24	3.15	1.625	16.15	3/8x3/8x2.55	485	1.2