

RXC SERIES Mechanical Adjustable Speed Drive

Dimensions

Base Mount, Input C-Face, Planetary Reducer, Sizes 02-95 (2X-8X)

Size	Model Code	C	D	DF	E	F	G	H	HC	HH	I
2X	NMB0283 & NMB0285	3.54	5.36	N/A	5.51	6.10	0.67	7.96	6.89	8.19	2.76
	NMB0483 & NMB0485										
3X	NMA0503 & NMA0506	4.17	6.66	N/A	7.09	7.95	0.67	9.45	8.23	9.80	3.74
	NMA0703 & NMA0706										
4X	NMA1003 & NMA1006	4.72	8.27	N/A	7.80	10.0	0.79	10.4	9.22	10.8	4.33
	NMA0503 & MNA1506										
5X	NMA2203 & NMA2206	6.06	10.0	N/A	9.45	11.6	1.19	12.8	11.5	13.8	4.72
6X	NMA3703 & NMA3706	6.89	11.8	N/A	11.81	13.8	1.26	15.2	13.3	15.7	5.31
7X	NMA5503 & NMA5506	7.72	12.8	13.2	13.0	14.2	1.46	16.9	15.0	17.4	5.91
7.5X	NMA7503 & NMA7506	7.72	14.7	14.2	13.0	14.2	1.46	16.9	15.0	18.2	5.91
8X	NMA91 & NMA95	10.24	17.1	16.1	13.4	14.2	1.77	22	20.0	23.1	5.51

Size	Model Code	K	K1	K2	LK	M	N	Q (mm)	R	S (mm)	T	Z
2X	NMB0283 & NMB0285	1.42	3.63	2.16	11.9	6.70	7.52	40	7.76	24	0.71	0.43
	NMB0483 & NMB0485											
3X	NMA0503 & NMA0506	1.58	4.80	2.92	15.0	8.67	9.53	50	9.92	24	1.05	0.43
	NMA0703 & NMA0706											
4X	NMA1003 & NMA1006	1.97	4.80	2.92	18.5	9.45	12.0	55	12.4	28	1.05	0.51
	NMA0503 & MNA1506											
5X	NMA2203 & NMA2206	2.37	6.15	4.09	21.0	11.42	14.0	60	13.8	32	1.22	0.59
6X	NMA3703 & NMA3706	3.35	6.89	4.84	23.9	13.8	17.1	70	15.8	35	1.54	0.71
7X	NMA5503 & NMA5506	3.55	6.89	4.84	27.3	15.0	17.7	80	16.9	42	1.54	0.79
7.5X	NMA7503 & NMA7506	3.55	9.02	4.84	27.3	15.0	17.7	80	16.9	42	1.54	0.79
8X	NMA9103 & NMA9503	3.74	9.89	5.63	41.3	17.3	16.5	105	27.9	71	2.36	1.10

Size	Model Code	Output Key (mm)	Hand-wheel Dia.	Hand-wheel Turns	Weight w/o Motor (lbs.)	Lubrication		Input C-Face
						Adj. Spd. (gal.)	Reducer (gal.)	
2X	NMB0283 & NMB0285	8x7x25	2.56	18	25	0.05	grease	56C
	NMB0483 & NMB0485							
3X	NMA0503 & NMA0506	8x7x35	3.15	18	58	0.13	0.10	56C
	NMA0703 & NMA0706							
4X	NMA1003 & NMA1006	8x7x40	3.15	19	101	0.21	0.13	140TC
	NMA0503 & MNA1506							
5X	NMA2203 & NMA2206	10x8x40	4.72	23	118	0.48	0.26	180TC
6X	NMA3703 & NMA3706	10x8x50	4.72	20	242	0.66	0.40	180TC
7X	NMA5503 & NMA5506	12x10x60	4.72	23	327	0.74	0.48	210TC
7.5X	NMA7503 & NMA7506	12x10x60	6.30	23	301	0.58	0.48	210TC
8X	NMA9103 & NMA9503	20x12x90	6.30	21	883	1.32	2.4	250TC

* For horizontal mounting

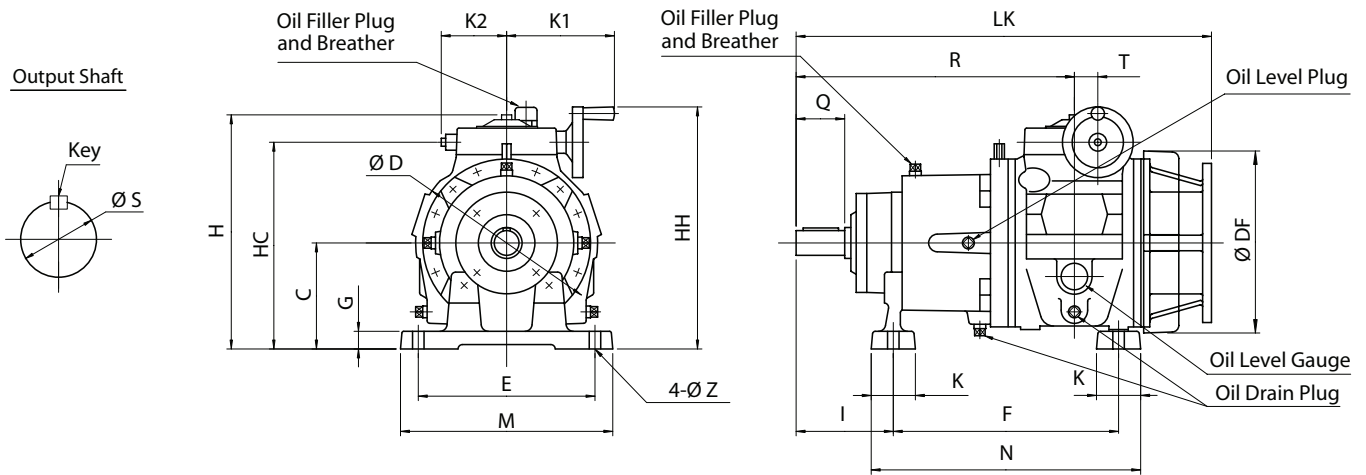
Units are shipped factory lubricated.

Unless otherwise noted, all lengths are in inches.

Contact NIDEC-SHIMPO for certified drawings for installation purposes.

Dimensions

Base Mount, Input C-Face, Planetary Reducer, Sizes 02-75 (2x-7.5x)



Base Mount, Input C-Face, Planetary Reducer, Sizes 91-95 (8x)

