

# RXC SERIES Mechanical Adjustable Speed Drive

## Dimensions

### Base Mount, Input C-Face, ER Cycloidal Reducer, Sizes 02-95 (2x-8x)

Size	Model Code	C	D	DF	E	F	G	H	HC	HH	I
2X	NMB02A	3.54	5.79	N/A	5.71	3.54	0.63	7.96	6.89	8.19	2.57
	NMB02B & NMB04B	4.53	5.91	N/A	5.71	4.72	0.63	8.94	7.88	9.18	3.34
3X	NMA05B & NMA07B	4.53	5.91	N/A	5.71	4.72	0.63	9.81	8.59	10.2	3.34
	NMA05C & NMA07C	5.51	7.48	N/A	7.09	5.91	0.87	10.8	9.57	11.2	4.10
4X	NMA10C & NMA15C	5.51	7.48	N/A	7.09	5.91	0.87	11.2	10.0	11.6	4.10
	NMA10D & NMA15D	6.50	9.26	N/A	8.86	7.09	1.03	12.2	11.0	12.6	5.33
5X	NMA22D	6.50	9.26	N/A	8.86	7.09	1.03	13.2	11.9	14.3	5.33
	NMA22E	7.28	11.8	N/A	11.8	9.84	1.19	14.0	12.7	15.0	5.95
6X	NMA37D	6.50	9.26	N/A	8.86	7.09	1.03	14.8	12.9	15.3	5.33
	NMA37E	7.28	11.8	N/A	11.81	9.84	1.19	15.6	13.7	16.1	5.95
7X	NMA55E	7.28	11.8	13.2	11.81	9.84	1.19	16.4	14.6	16.9	5.95
	NMA55F	8.27	14.2	13.2	13.78	11.6	1.38	17.4	15.6	17.9	7.67
7.5X	NMA75E	7.28	11.8	14.2	11.8	9.84	1.19	16.4	14.6	17.6	5.95
	NMA75F	8.27	14.2	14.2	13.8	11.6	1.38	17.4	15.6	18.6	7.67

Size	Model Code	K1	K2	LK	M	N	Q	R	S	T	Z
2X	NMB02A	3.63	2.16	13.2	6.89	4.73	1.19	9.07	0.875	0.71	0.48
	NMB02B & NMB04B	3.63	2.16	15.3	6.89	5.91	1.96	11.1	1.375	0.71	0.48
3X	NMA05B & NMA07B	4.80	2.92	17.2	6.89	5.91	1.96	12.1	1.375	1.05	0.48
	NMA05C & NMA07C	4.80	2.92	19.0	8.67	7.48	2.52	13.9	1.750	1.05	0.59
4X	NMA10C & NMA15C	4.80	2.92	20.6	8.67	7.48	2.52	14.5	1.750	1.05	0.59
	NMA10D & NMA15D	4.80	2.92	21.8	10.8	9.06	3.75	15.7	2.500	1.05	0.75
5X	NMA22D	6.15	4.09	24.3	10.83	9.06	3.75	17.1	2.500	1.22	0.75
	NMA22E	6.15	4.09	26.7	14.18	11.8	4.38	19.5	2.875	1.22	0.87
6X	NMA37D	6.89	4.84	26.2	10.8	9.06	3.75	18.1	2.500	1.54	0.75
	NMA37E	6.89	4.84	28.5	14.2	11.8	4.38	20.4	2.875	1.54	0.87
7X	NMA55E	6.89	4.84	32.0	14.2	11.8	4.38	21.6	2.875	1.54	0.87
	NMA55F	6.89	4.84	34.2	16.7	14.4	5.50	23.8	3.625	1.54	0.99
7.5X	NMA75E	9.02	4.84	32.0	14.2	11.8	4.38	21.6	2.875	1.54	0.87
	NMA75F	9.02	4.84	34.2	16.7	14.4	5.50	23.8	3.625	1.54	0.99

Units are shipped factory lubricated.

Unless otherwise noted, all lengths are in inches.

Contact NIDEC-SHIMPO for certified drawings for installation purposes.

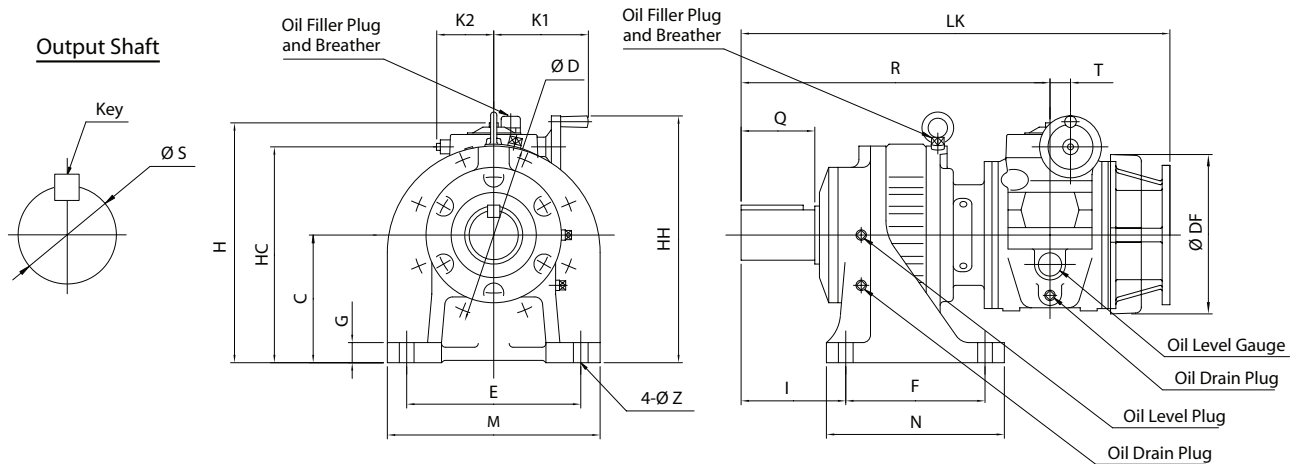
## Dimensions

### Base Mount, Input C-Face, ER Cycloidal Reducer, Sizes 02-95 (2x-3x)

Size	Model Code	Output Key	Hand-wheel Dia.	Hand-wheel Turns	Weight w/o Motor (lbs.)	Lubrication		Input C-Face
						Adj.Spd. (gal.)	Reducer (gal.)	
2X	NMB02A	.188x.188x0.98	2.56	18	35	0.05	grease	56C
	NMB02B & NMB04B	.313x.313x1.77	2.56	18	55	0.05	grease	56C
3X	NMA05B & NMA07B	.313x.313x1.77	3.15	18	71	0.13	grease	56C
	NMA05C & NMA07C	.375x.375x2.16	3.15	18	102	0.13	grease	56C
4X	NMA10C & NMA15C	.375x.375x2.16	3.15	19	142	0.21	grease	140TC
	NMA10D & NMA15D	.625x.625x2.95	3.15	19	193	0.21	grease	140TC
5X	NMA22D	.625x.625x2.95	4.72	23	221	0.48	0.25	180TC
	NMA22E	.750x.750x3.74	4.72	23	325	0.48	0.48	180TC
6X	NMA37D	.625x.625x2.95	4.72	20	317	0.66	0.25	180TC
	NMA37E	.750x.750x3.74	4.72	20	429	0.66	0.48	180TC
7X	NMA55E	.750x.750x3.74	4.72	23	547	0.74	0.48	210TC
	NMA55F	.875x.875x4.53	4.72	23	660	0.74	0.85	210TC
7.5X	NMA75E	.750x.750x3.74	6.30	23	521	0.58	0.48	210TC
	NMA75F	.875x.875x4.53	6.30	23	634	0.58	0.85	210TC

\* For horizontal mounting

### Base Mount, Input C-Face, ER Cycloidal Reducer, Sizes 02-75 (2x-7.5x)



### Base Mount, Input C-Face, ER Cycloidal Reducer, Sizes 91-95 (8x)

