

RXC SERIES Mechanical Adjustable Speed Drive

Dimensions

Base Mount, Input C-Face, No Speed Reducer, Sizes 02-95 (2X-8X)

Size	Model Code	C	D	DF	E	F	G	H	HC	HH	I
2X	NMB0200 & NMB0400	3.54	5.36	N/A	3.54	4.33	0.56	7.96	6.89	8.19	3.06
3X	NMA0500 & NMA0700	4.17	6.66	N/A	4.72	6.10	0.56	9.45	8.23	9.80	3.85
4X	NMA1000 & NMA1500	4.72	8.27	N/A	5.51	6.69	0.63	10.4	9.22	10.8	5.70
5X	NMA2200	6.06	10.0	N/A	6.30	9.06	0.79	12.8	11.5	13.8	5.31
6X	NMA3700	6.89	11.8	N/A	8.27	10.2	0.87	15.2	13.3	15.7	6.53
7X	NMA5500	7.72	12.8	13.2	9.06	10.6	0.99	16.9	15.0	17.4	7.55
7.5X	NMA7500	7.72	14.7	14.2	9.06	10.6	0.99	16.9	15.0	18.2	7.55
8X	NMA91 & NMA95	9.84	17.13	16.15	11.81	16.73	1.19	21.58	19.61	22.76	9.55

Size	Model Code	K1	K2	LK	M	N	Q	R	S	T	Z
2X	NMB0200 & NMB0400	3.63	2.17	9.28	4.73	5.52	1.88	5.15	0.625	0.71	0.36
3X	NMA0500 & NMA0700	4.80	2.92	11.6	5.91	7.29	1.88	6.48	0.625	1.05	0.36
4X	NMA1000 & NMA1500	4.80	2.92	14.7	6.70	7.88	2.75	8.58	1.125	1.05	0.36
5X	NMA2200	6.15	4.09	16.5	7.88	10.6	2.75	9.25	1.125	1.22	0.44
6X	NMA3700	6.89	4.84	19.3	10.2	12.2	3.38	11.3	1.375	1.54	0.59
7X	NMA5500	6.89	4.84	22.7	11.0	13.0	4.00	12.3	1.625	1.54	0.59
7.5X	NMA7500	9.02	4.84	22.7	11.0	13.0	4.00	12.3	1.625	1.54	0.59
8X	NMA91 & NMA95	9.89	5.63	29.71	14.37	19.3	4.63	16.36	1.875	2.36	0.75

Size	Model Code	Output Key	Hand-Wheel Dia.	Hand-wheel Turns	Weight w/o Motor (lbs.)	Lube Qty (gal.)	Input C-Face
2X	NMB0200 & NMB0400	.188x.188x1.37	2.56	18	24	0.05	56C
3X	NMA0500 & NMA0700	.188x.188x1.37	3.15	18	45	0.13	56C
4X	NMA1000 & NMA1500	.250x.250x2.16	3.15	19	65	0.21	140TC
5X	NMA2200	.250x.250x2.16	4.72	23	106	0.48	180TC
6X	NMA3700	.313x.313x2.75	4.72	20	171	0.66	180TC
7X	NMA5500	.375x.375x3.14	4.72	23	242	0.74	210TC
7.5X	NMA7500	.375x.375x3.14	6.30	23	252	0.74	210TC
8X	NMA91 & NMA95	.500x.500x3.74	6.3	21	520	1.32	250TC

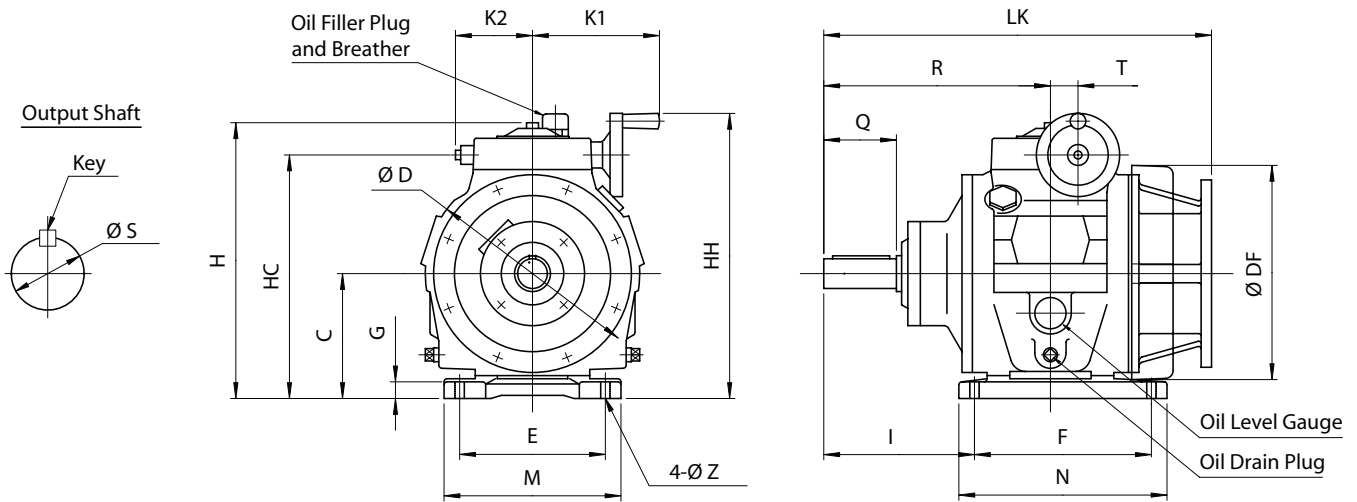
* For horizontal mounting

Units are shipped factory lubricated.

Contact NIDEC-SHIMPO for certified drawings for installation purposes

Dimensions

Base Mount, Input C-Face, No Reducer, Sizes 02-75 (2x-7.5x)



Base Mount, Input C-Face, No Reducer, Sizes 91-95 (8x)

