

RXC SERIES Mechanical Adjustable Speed Drive

Dimensions

Flange Mount, Input C-Face, Planetary Reducer, Sizes 02-95 (2x-8x)

Size	Model Code	DF	FA	FB	FC	HL	HO	HP	KO	K1
2X	NMB0283 & NMB0285	N/A	6.50	5.12	7.88	3.35	6.30	N/A	N/A	3.63
	NMB0483 & NMB0485									
3X	NMA0503 & NMA0506	N/A	8.47	7.09	9.85	4.06	7.21	4.73	4.97	4.80
	NMA0703 & NMA0706									
4X	NMA1003 & NMA1006	N/A	10.43	9.06	11.8	4.49	7.64	5.32	5.83	4.80
	NMA0503 & MNA1506									
5X	NMA2203 & NMA2206	N/A	11.8	9.84	13.8	5.40	9.65	6.50	6.03	6.15
6X	NMA3703 & NMA3706	N/A	13.8	11.81	15.75	6.42	11.0	7.29	7.88	6.89
7X	NMA5503 & NMA5506	13.19	13.8	11.8	15.8	7.29	12.0	8.27	8.39	6.89
7.5X	NMA7503 & NMA7506	14.18	13.8	11.8	15.8	7.29	12.0	8.27	8.39	9.02
8X	NMA9103 & NMA9503	16.14	16.54	14.57	18.51	9.77	14.4	10.24	11.03	9.89

Size	Model Code	K2	LK	LE	LG	LR	LZ	Q(mm)	R	S (mm)	T
2X	NMB0283 & NMB0285	2.16	11.89	0.16	0.56	1.58	0.47	40	7.76	24	0.71
	NMB0483 & NMB0485										
3X	NMA0503 & NMA0506	2.92	15.0	0.24	0.63	1.97	0.59	50	9.92	24	1.05
	NMA0703 & NMA0706										
4X	NMA1003 & NMA1006	2.92	18.5	0.24	0.79	2.17	0.59	55	12.4	28	1.05
	NMA0503 & MNA1506										
5X	NMA2203 & NMA2206	4.09	21.0	0.31	0.79	2.36	0.75	60	13.8	32	1.22
6X	NMA3703 & NMA3706	4.84	23.9	0.31	0.79	2.76	0.75	70	15.8	35	1.54
7X	NMA5503 & NMA5506	4.84	27.33	0.31	0.99	3.16	0.75	80	16.9	42	1.54
7.5X	NMA7503 & NMA7506	4.84	27.33	0.31	0.99	3.15	0.75	80	16.9	42	1.54
8X	NMA9103 & NMA9503	5.63	41.3	0.20	1.19	4.33	0.98	105	27.9	71	2.36

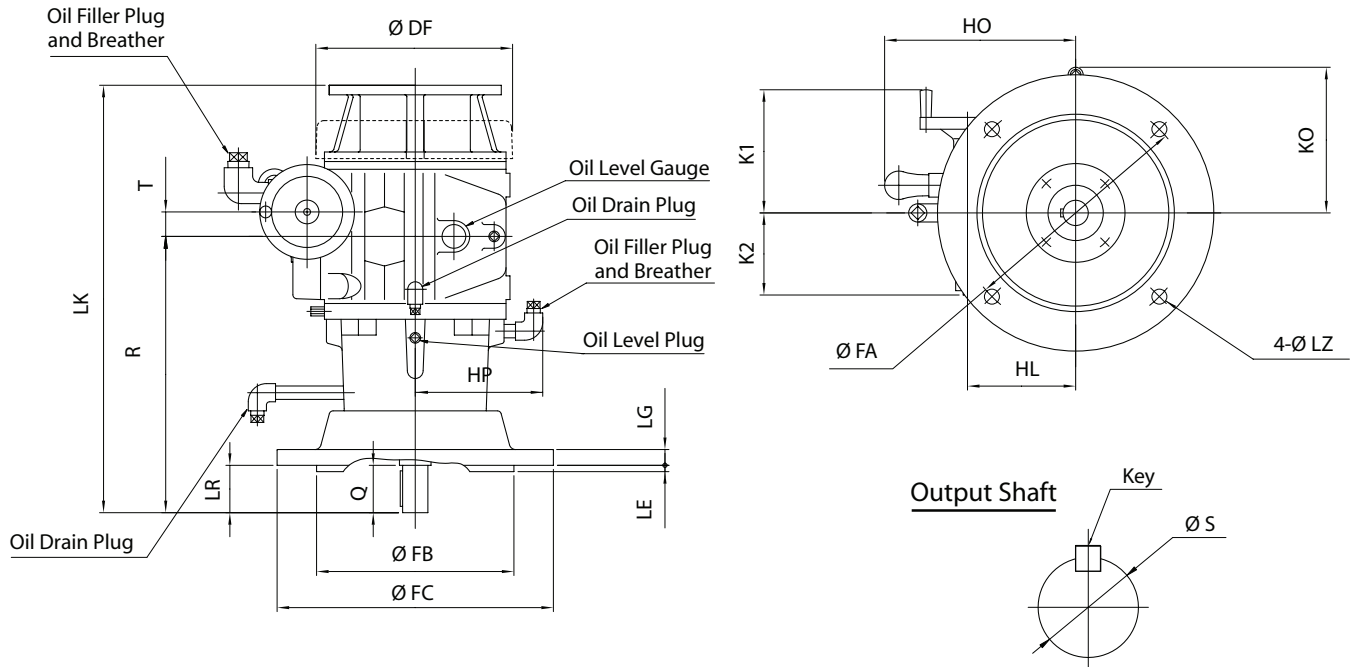
Size	Model Code	Output Key (mm)	Hand-wheel Dia.	Hand-wheel Turns	Weight w/o Motor (lbs.)	Lubrication		Input C-Face
						Adj. Spd. (gal.)	Reducer (gal.)	
2X	NMB0283 & NMB0285	8x7x25	2.56	18	24	0.11	grease	56C
	NMB0483 & NMB0485							
3X	NMA0503 & NMA0506	8x7x35	3.15	18	60	0.26	0.11	56C
	NMA0703 & NMA0706							
4X	NMA1003 & NMA1006	8x7x40	3.15	19	102	0.50	0.21	140TC
	NMA0503 & MNA1506							
5X	NMA2203 & NMA2206	10x8x40	4.72	23	115	0.72	0.34	180TC
6X	NMA3703 & NMA3706	10x8x50	4.72	20	225	1.27	0.61	180TC
7X	NMA5503 & NMA5506	12x10x60	4.72	23	283	1.43	0.71	210TC
7.5X	NMA7503 & NMA7506	12x10x60	6.30	23	257	1.19	0.71	210TC
8X	NMA9103 & NMA9503	20x12x90	6.30	21	954	1.32	2.4	250TC

* For vertical down mounting

Units are shipped factory lubricated. Unless otherwise noted, all lengths are in inches. Contact NIDEC-SHIMPO for certified drawings for installation purposes.

Dimensions

Flange Mount, Input C-Face, Planetary Reducer, Sizes 02-75 (2x-7.5x)



Flange Mount, Input C-Face, Planetary Reducer, Sizes 91-95 (8x)

