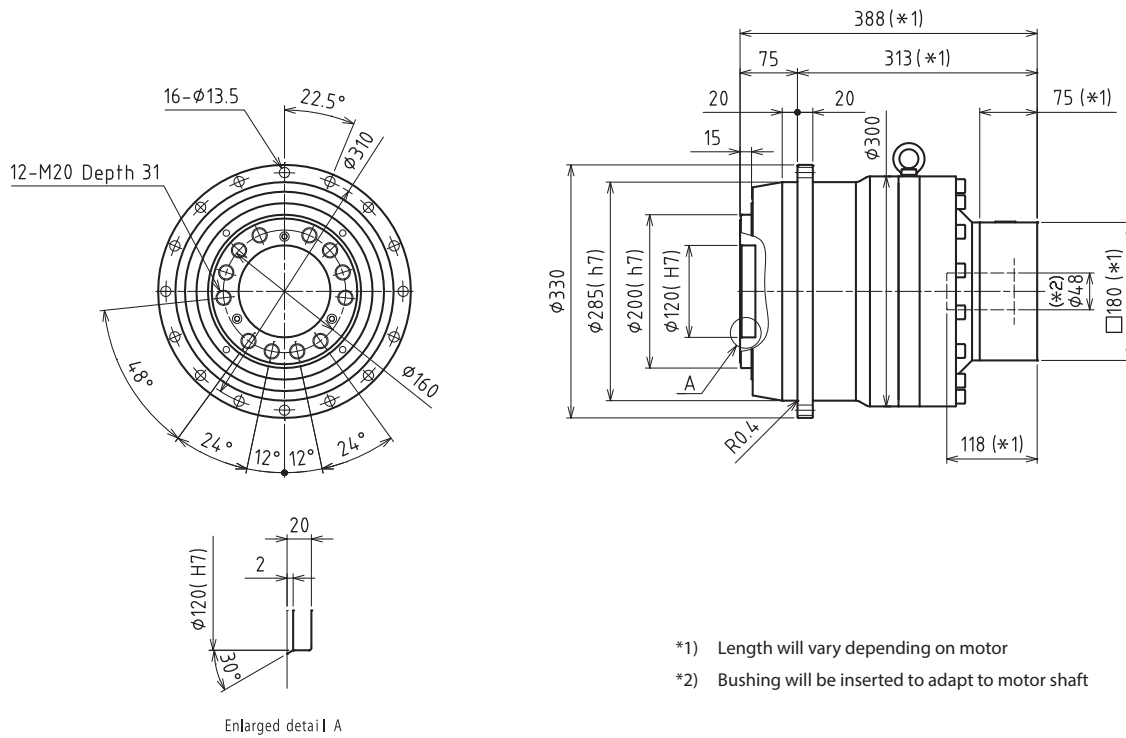




## VRT 285 2-Stage Dimensions

Input bore size  $\leq \phi 48$  mm



- \*1) Length will vary depending on motor
- \*2) Bushing will be inserted to adapt to motor shaft