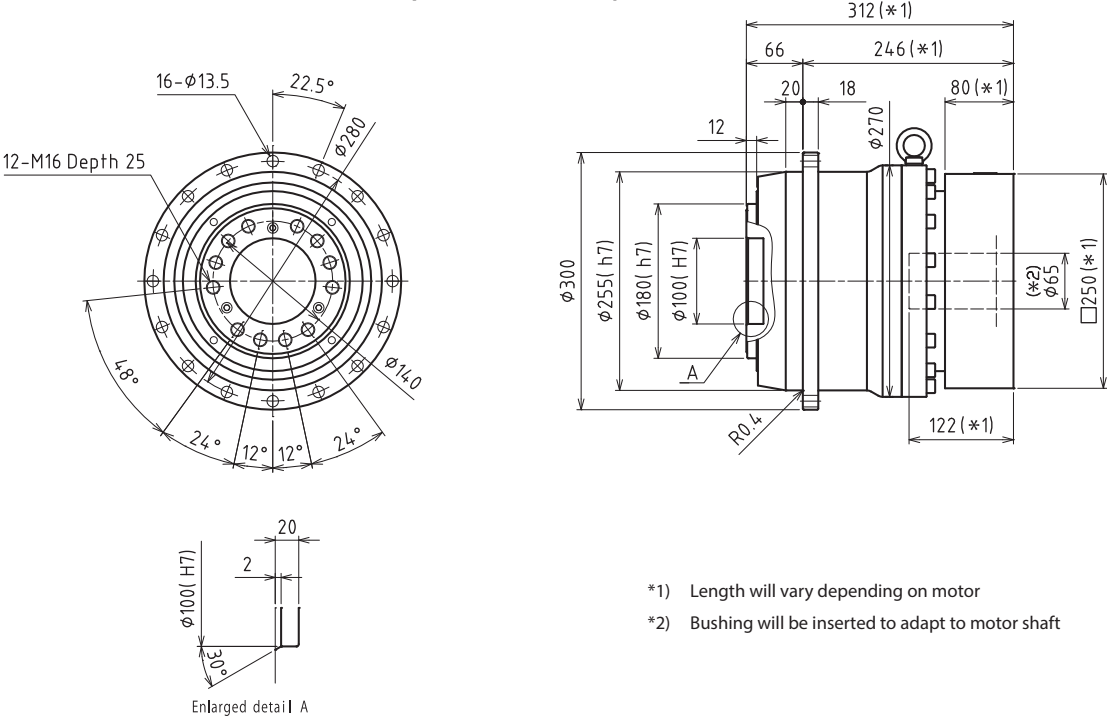


VRT 255 1-Stage Dimensions

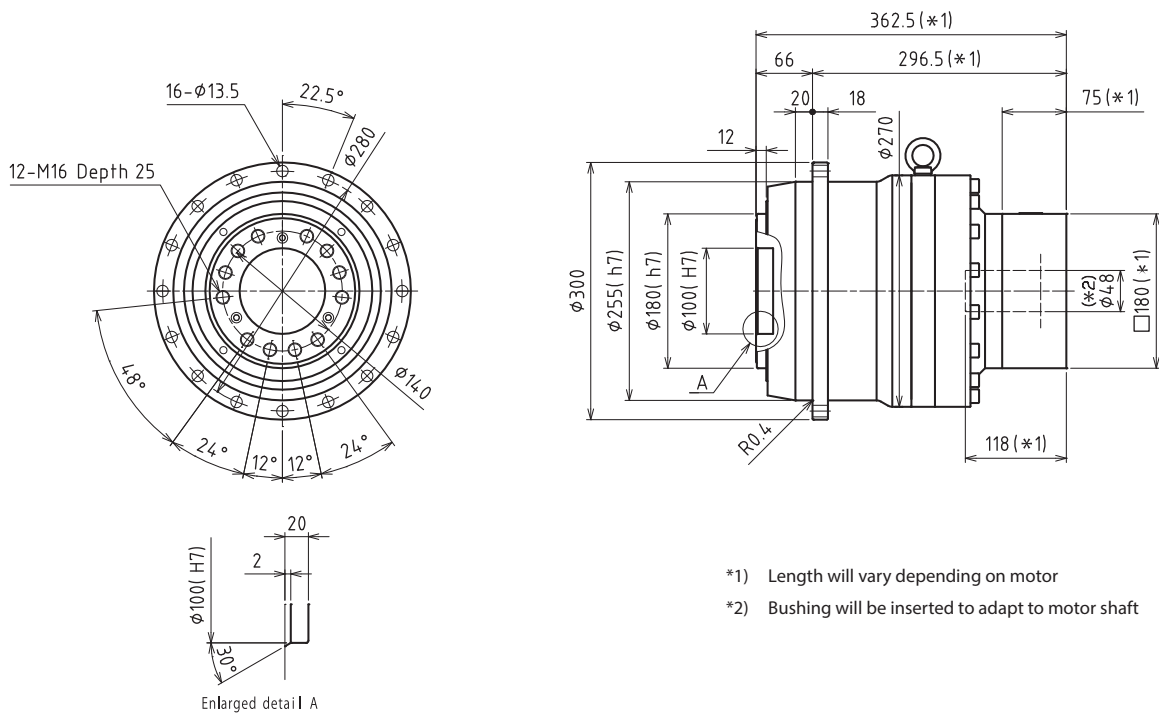
Input bore size $\leq \phi 65 \text{ mm}$



*1) Length will vary depending on motor
 *2) Bushing will be inserted to adapt to motor shaft

VRT 255 2-Stage Dimensions

Input bore size $\leq \phi 48$ mm



- *1) Length will vary depending on motor
- *2) Bushing will be inserted to adapt to motor shaft