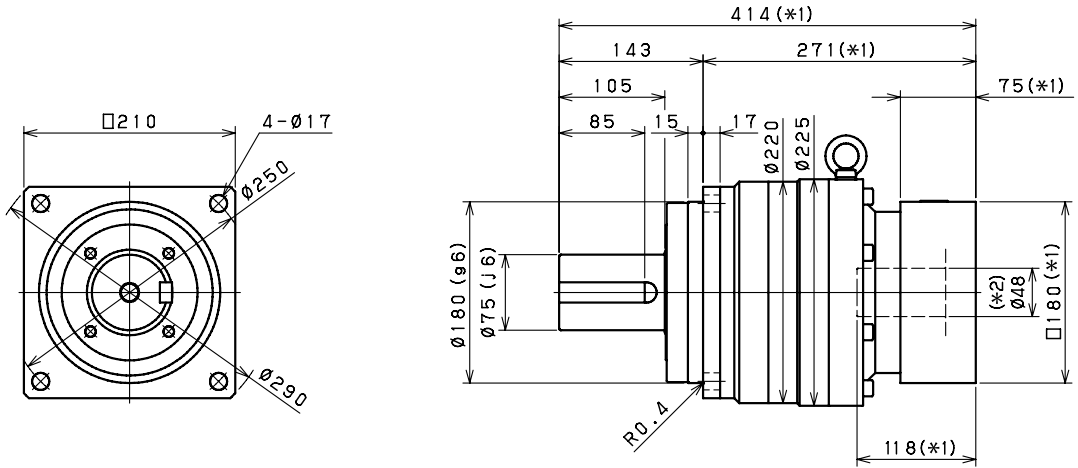


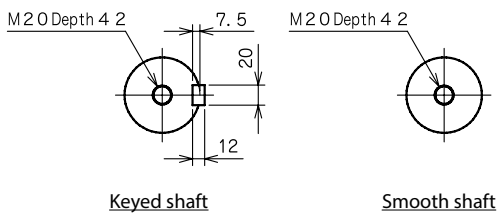
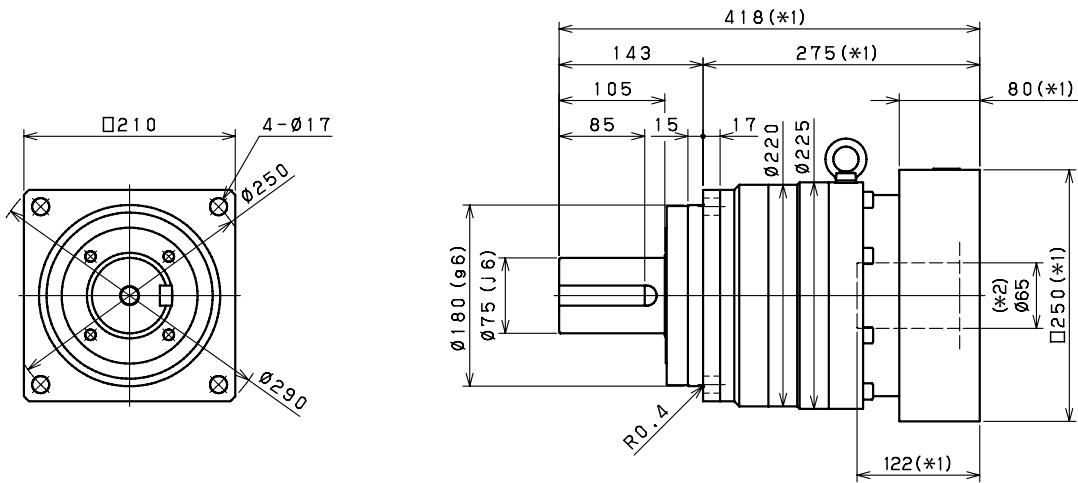
VRS SERIES Inline Planetary

VRS 210 1-Stage Dimensions

Input bore size $\leq \varnothing 48$ mm



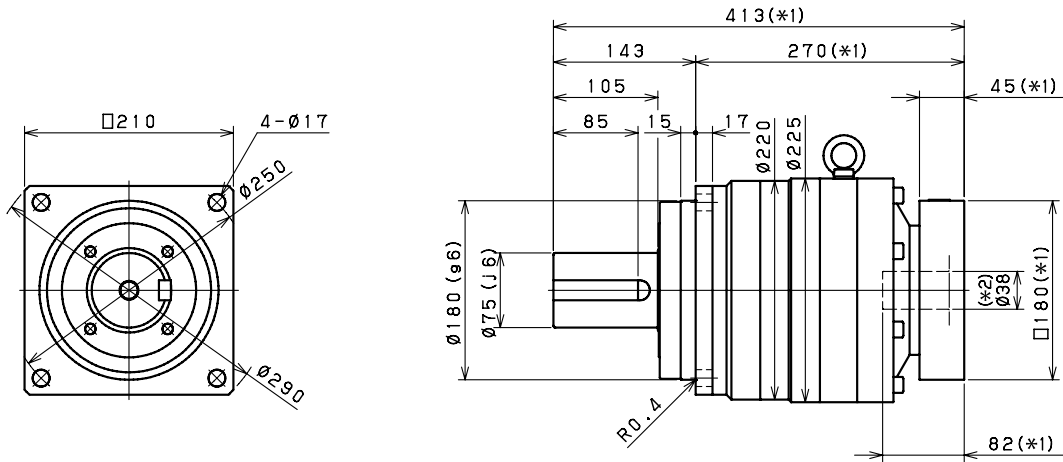
Input bore size $\leq \varnothing 65$ mm



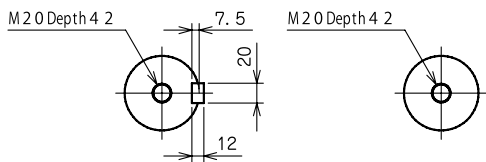
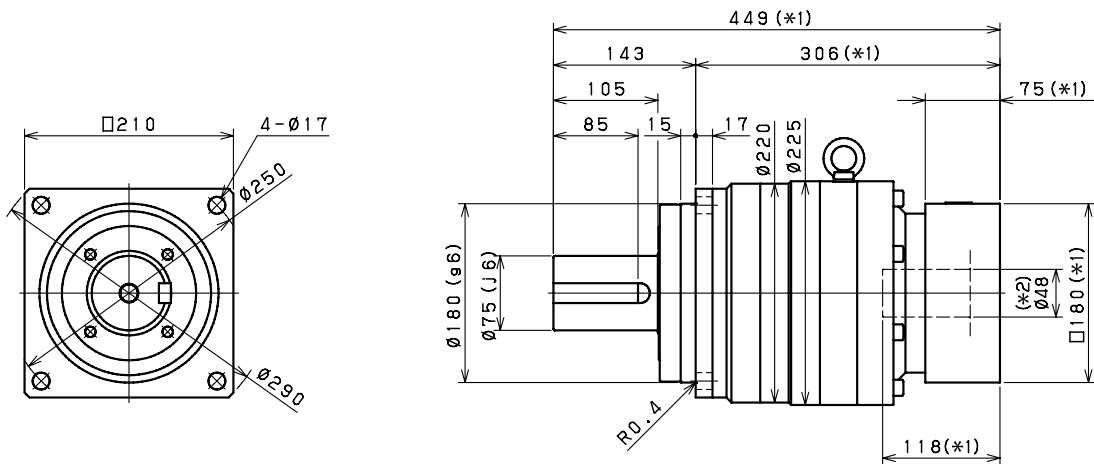
- *1) Length will vary depending on motor.
- *2) Bushing will be inserted to adapt to motor shaft

VRS 210 2-Stage Dimensions

Input bore size $\leq \phi 38$ mm



Input bore size $\leq \phi 48$ mm



Keyed shaft

Smooth shaft

*1) Length will vary depending on motor.

*2) Bushing will be inserted to adapt to motor shaft

VRS