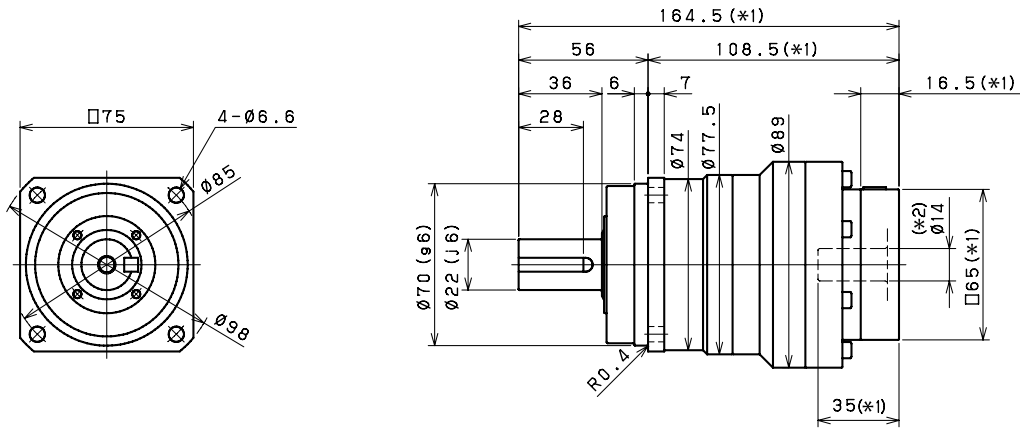


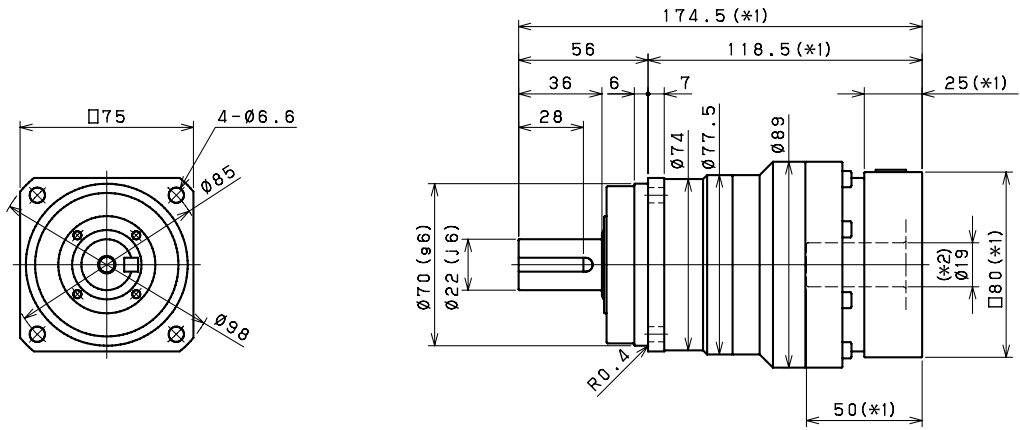
# VRS SERIES Inline Planetary

## VRS 075 1-Stage Dimensions

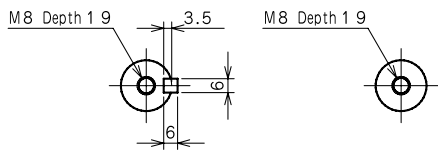
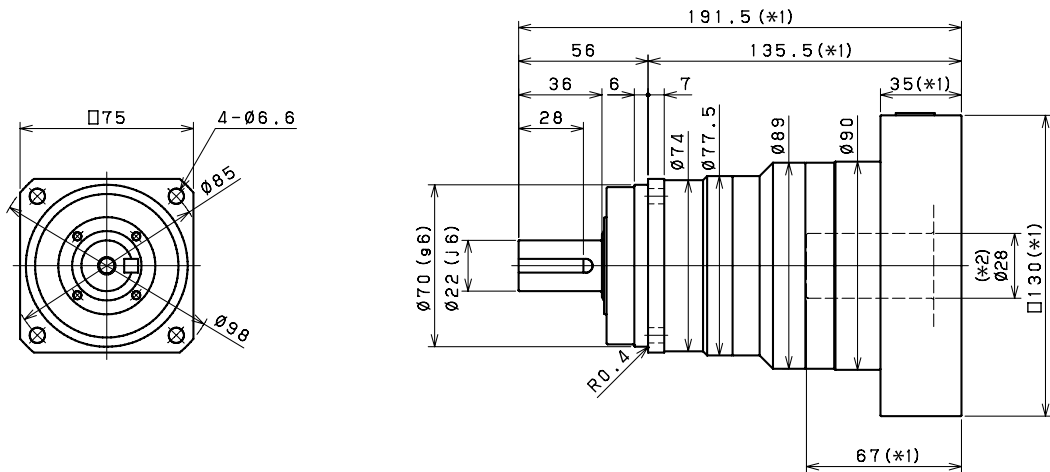
Input bore size  $\leq \varnothing 14$  mm



Input bore size  $\leq \varnothing 19$  mm



Input bore size  $\leq \varnothing 28$  mm



Keyed shaft

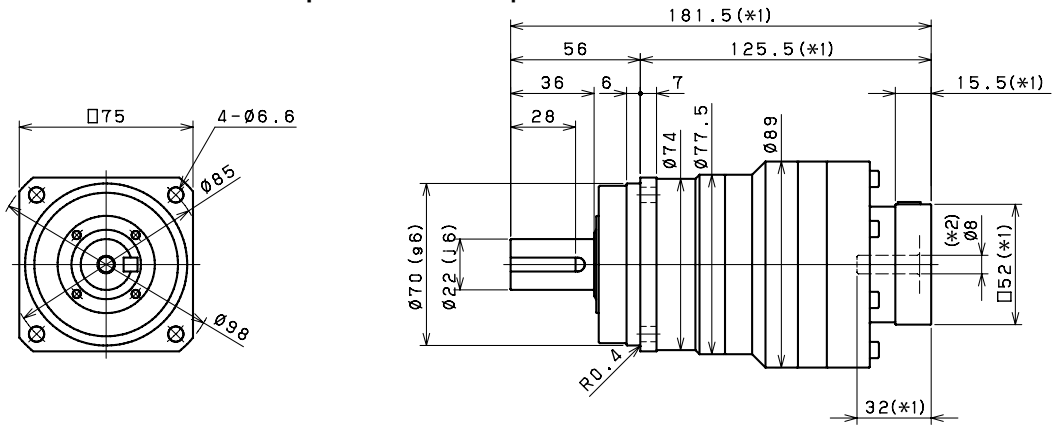
Smooth shaft

\*1) Length will vary depending on motor

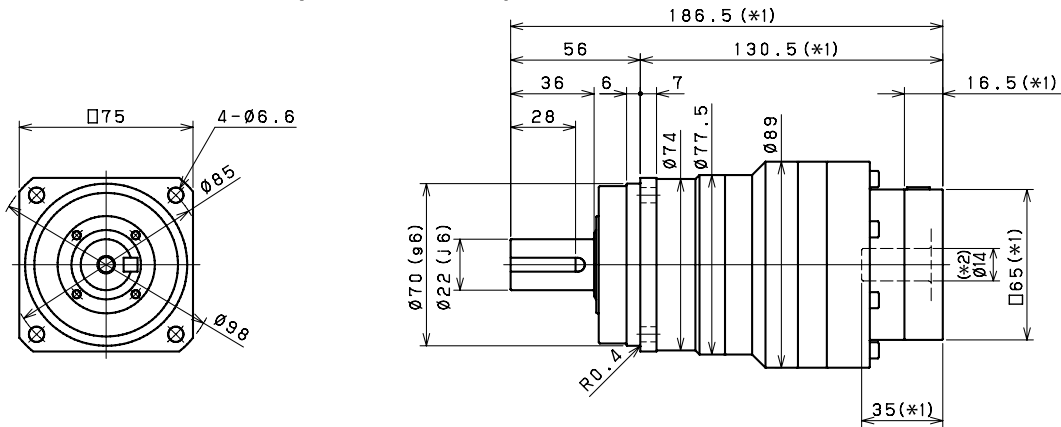
\*2) Bushing will be inserted to adapt to motor shaft

## VRS 075 2-Stage Dimensions

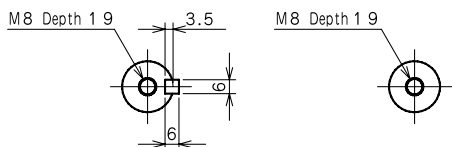
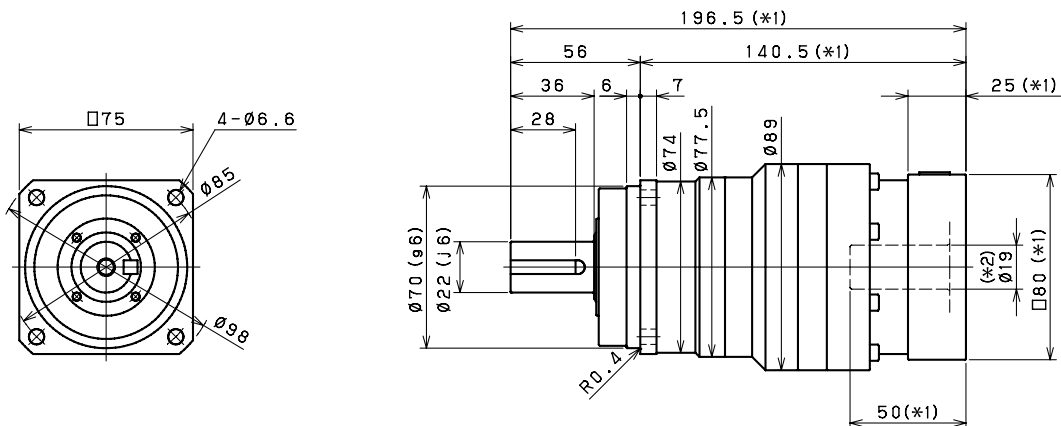
Input bore size  $\leq \phi 8$  mm



Input bore size  $\leq \phi 14$  mm



Input bore size  $\leq \phi 19$  mm (\*3)



Keyed shaft

Smooth shaft

\*1) Length will vary depending on motor

\*2) Bushing will be inserted to adapt to motor shaft

\*3) 28mm input bore is available for this frame size. Use our online configurator to make your selection or contact us for assistance

VRS