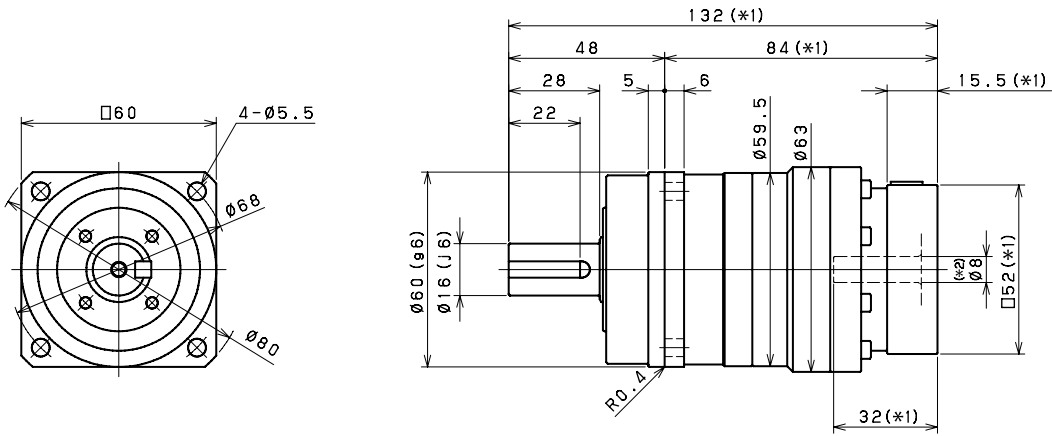


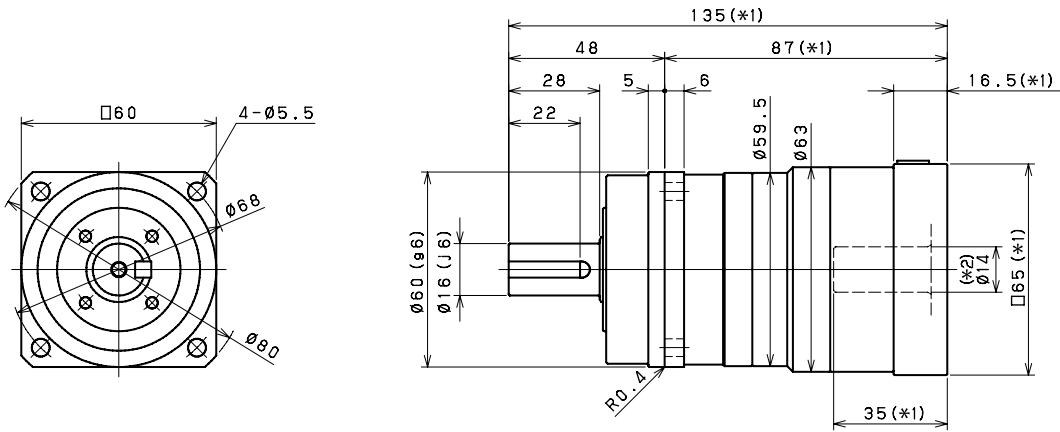
# VRS SERIES Inline Planetary

## VRS o60 1-Stage Dimensions

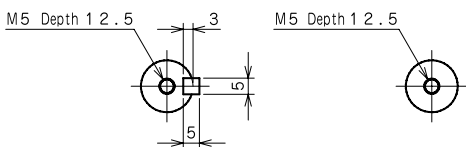
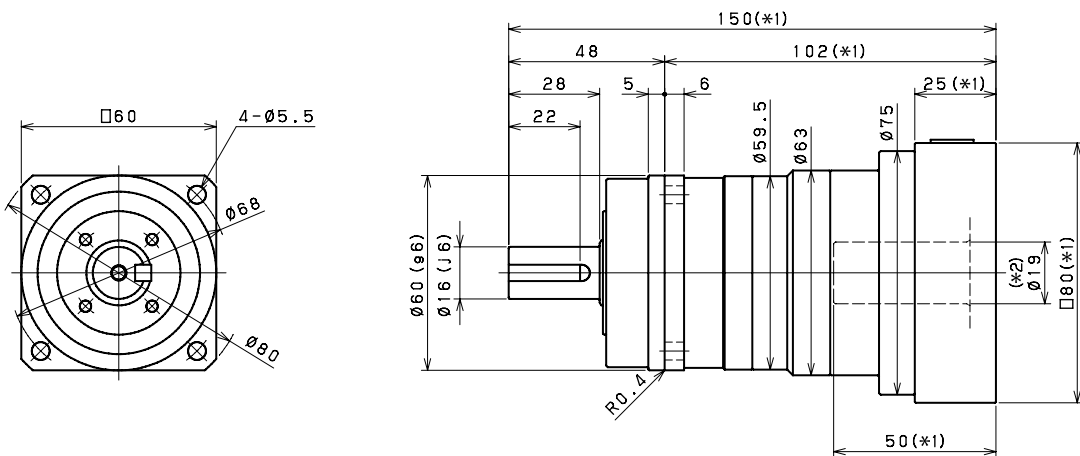
Input bore size  $\leq \varnothing 8$  mm



Input bore size  $\leq \varnothing 14$  mm



Input bore size  $\leq \varnothing 19$  mm



Keyed shaft

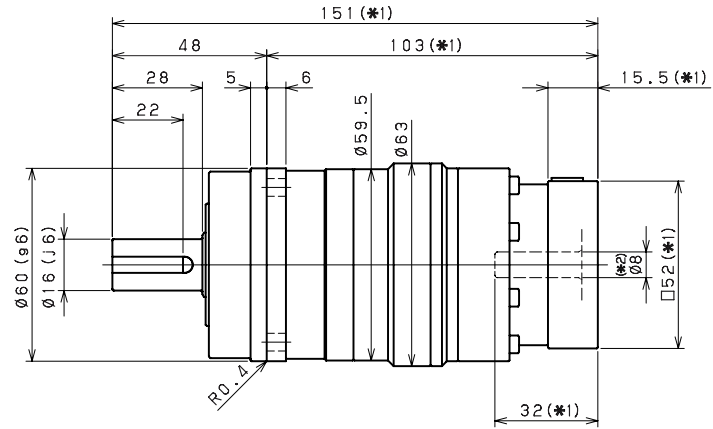
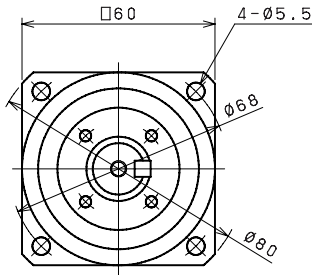
Smooth shaft

\*1) Length will vary depending on motor

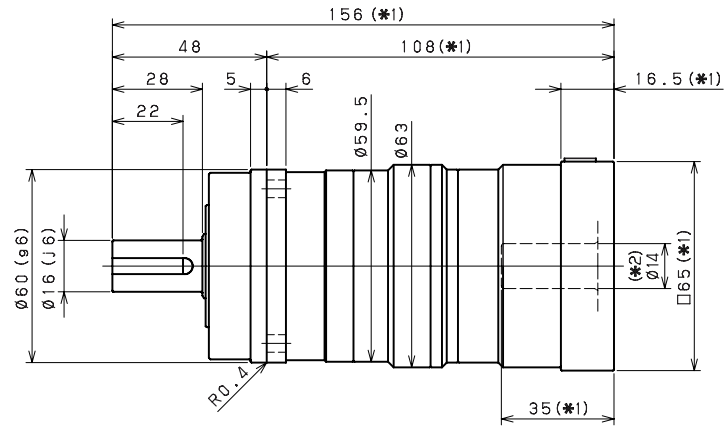
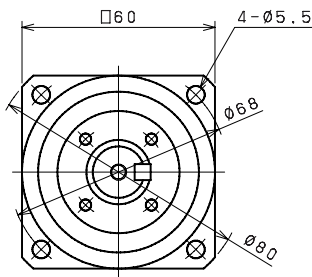
\*2) Bushing will be inserted to adapt to motor shaft

## VRS o6o 2-Stage Dimensions

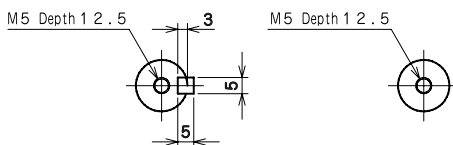
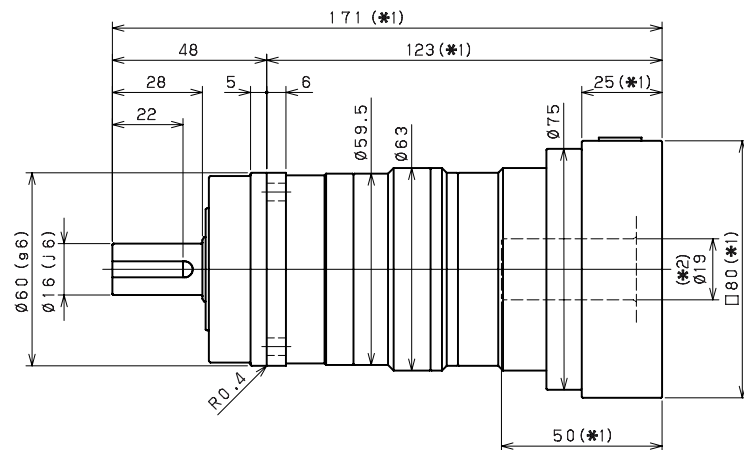
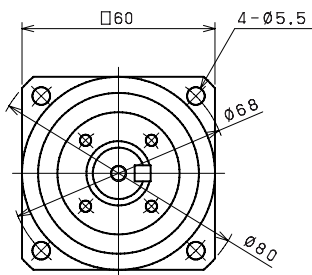
Input bore size  $\leq \varnothing 8$  mm



Input bore size  $\leq \varnothing 14$  mm



Input bore size  $\leq \varnothing 19$  mm



Keyed shaft

Smooth shaft

\*1) Length will vary depending on motor

\*2) Bushing will be inserted to adapt to motor shaft