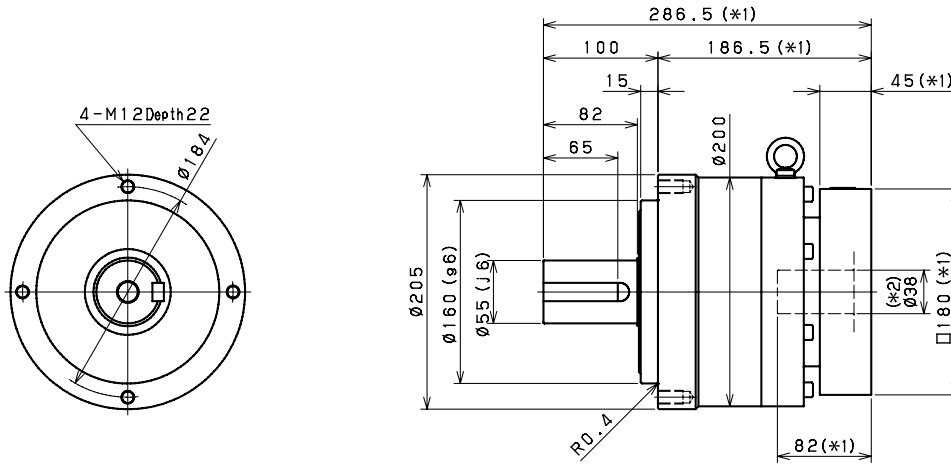


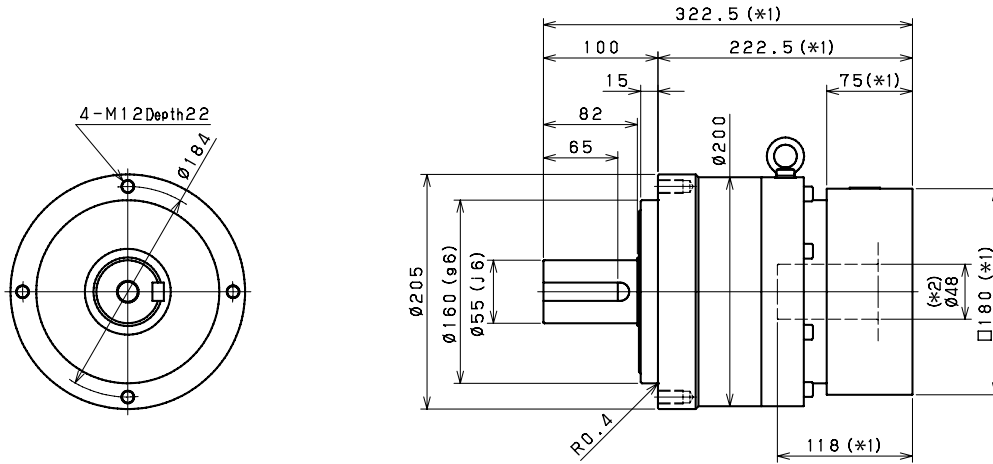
VRL SERIES Inline Planetary

VRL 205 1-Stage Dimensions

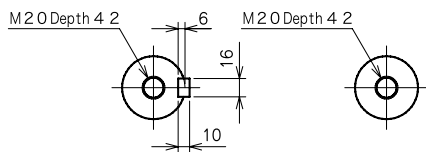
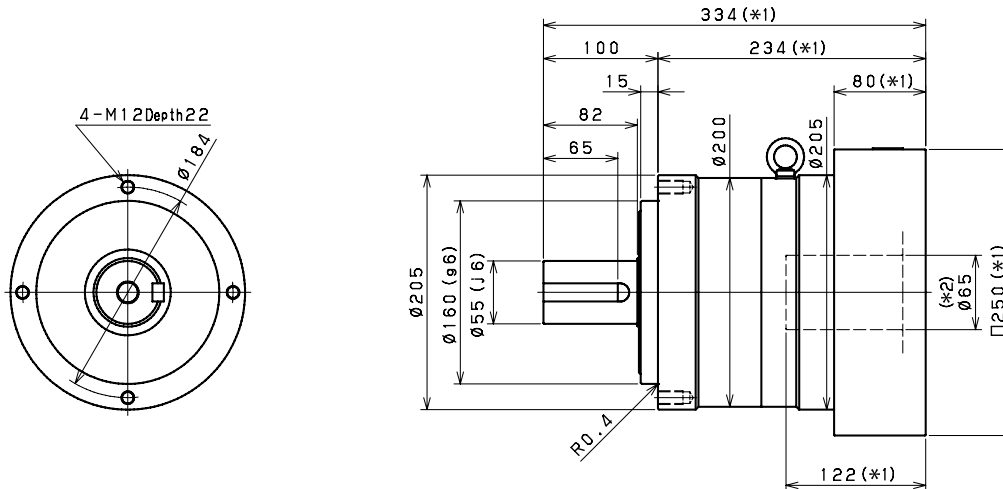
Input bore size $\leq \phi 38$ mm



Input bore size $\leq \phi 48$ mm



Input bore size $\leq \phi 65$ mm



Keyed shaft

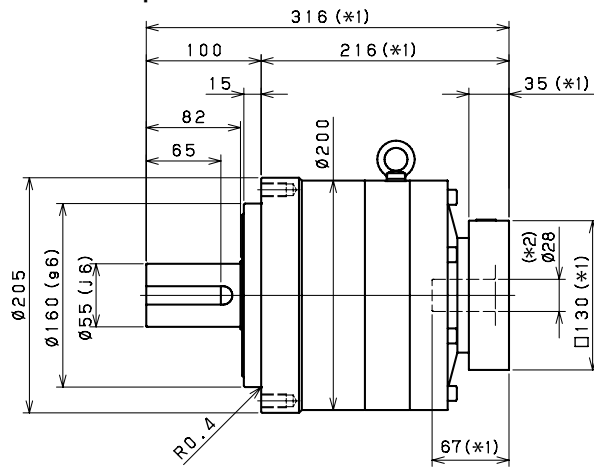
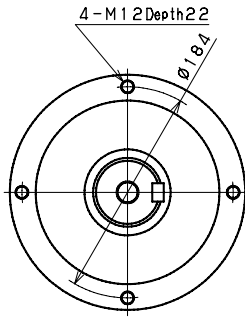
Smooth shaft

*1) Length will vary depending on motor

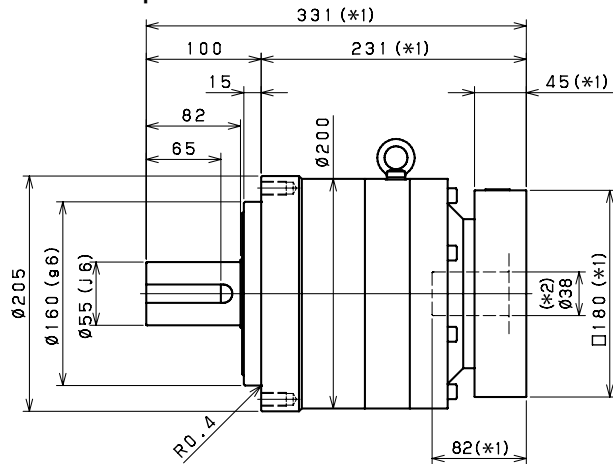
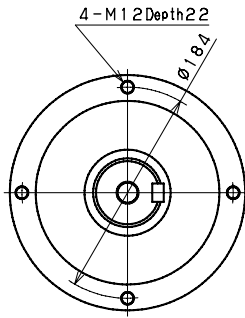
*2) Bushing will be inserted to adapt to motor shaft

VRL 205 2-Stage Dimensions

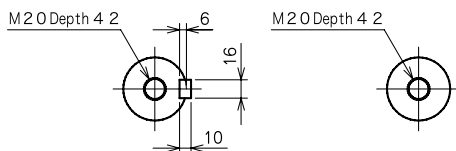
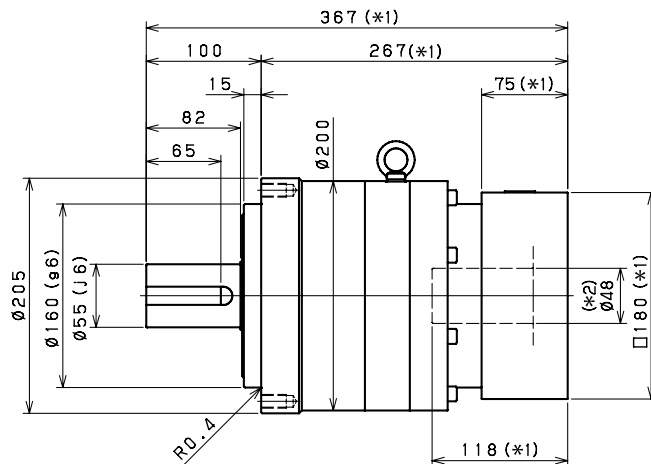
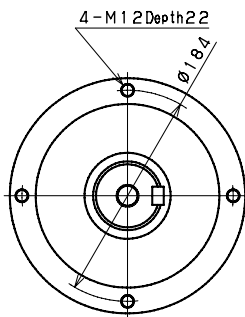
Input bore size $\leq \varnothing 28$ mm



Input bore size $\leq \varnothing 38$ mm



Input bore size $\leq \varnothing 48$ mm



Keyed shaft

Smooth shaft

*1) Length will vary depending on motor

*2) Bushing will be inserted to adapt to motor shaft