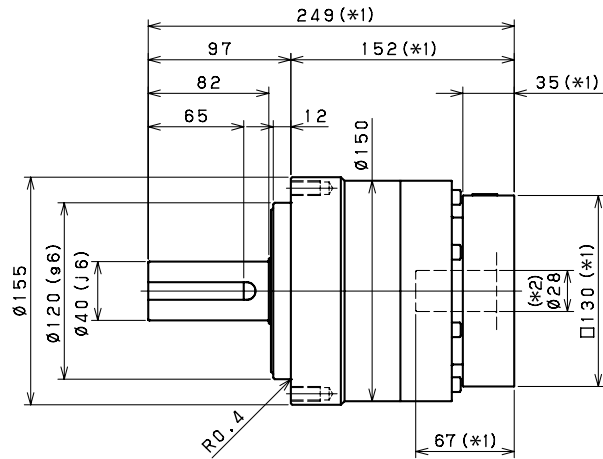
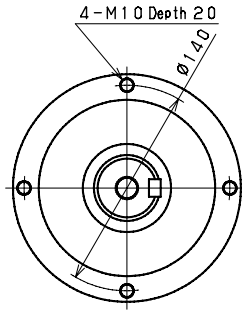


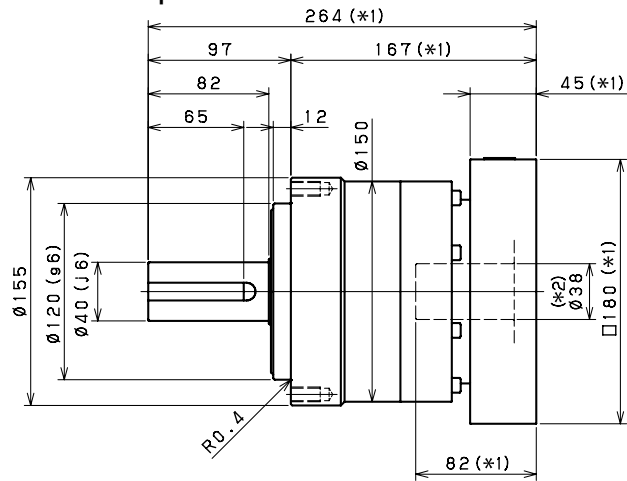
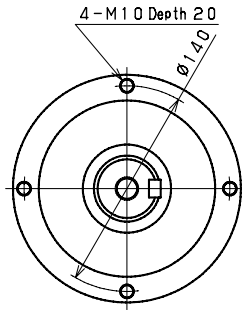
VRL SERIES Inline Planetary

VRL 155 1-Stage Dimensions

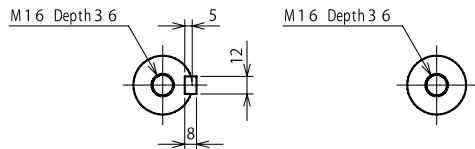
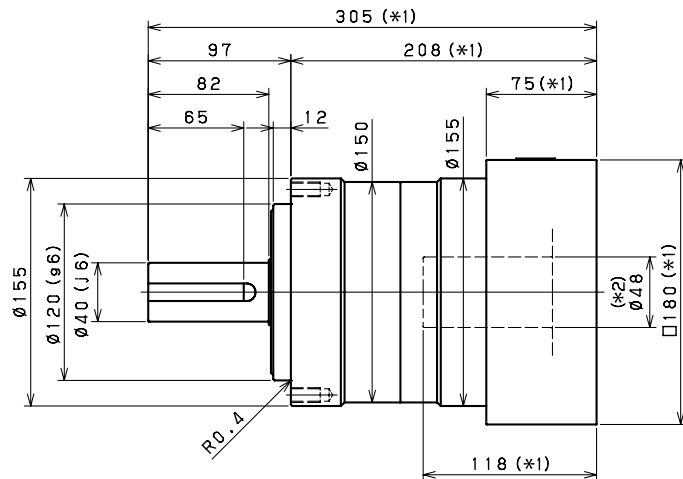
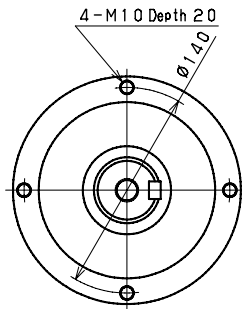
Input bore size $\leq \phi 28$ mm



Input bore size $\leq \phi 38$ mm



Input bore size $\leq \phi 48$ mm



Keyed shaft

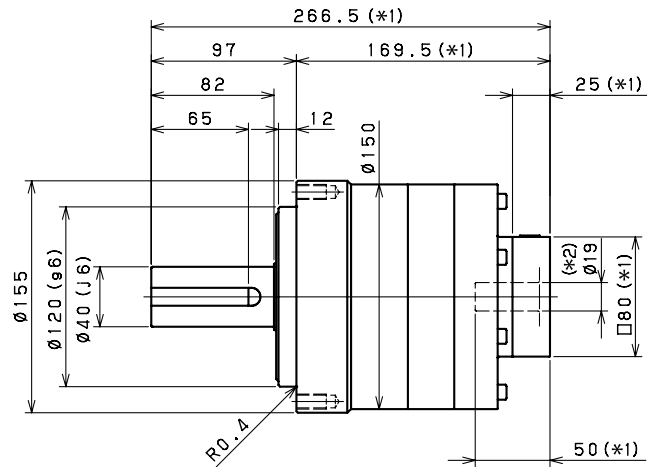
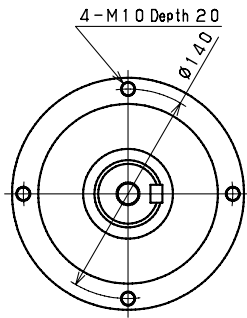
Smooth shaft

*1) Length will vary depending on motor

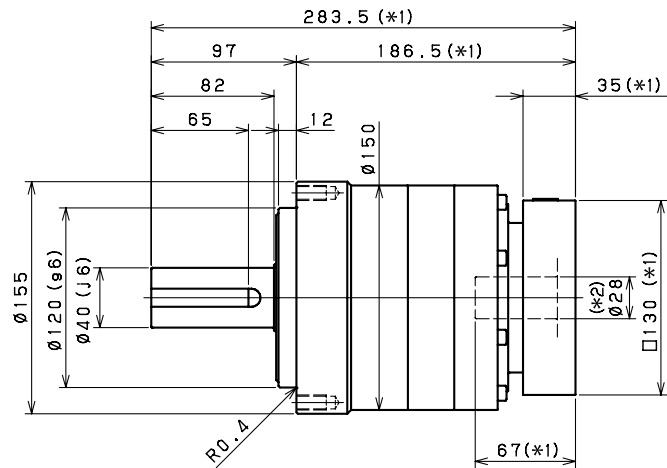
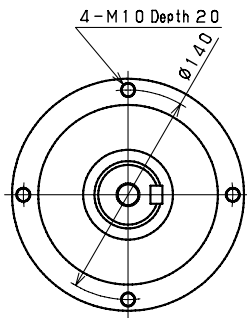
*2) Bushing will be inserted to adapt to motor shaft

VRL 155 2-Stage Dimensions

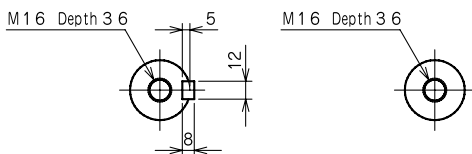
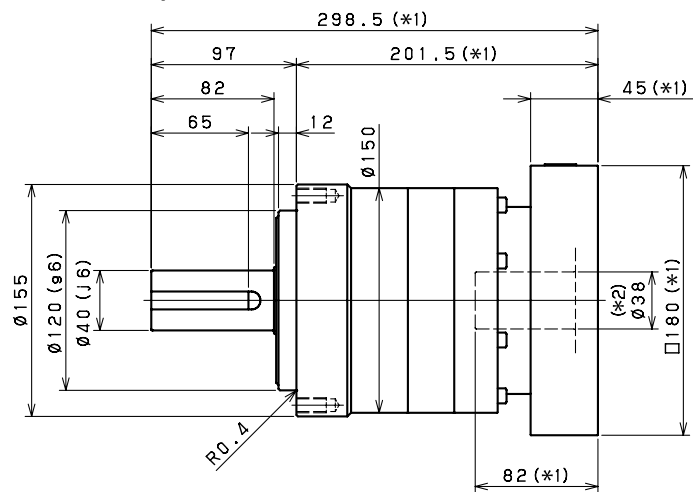
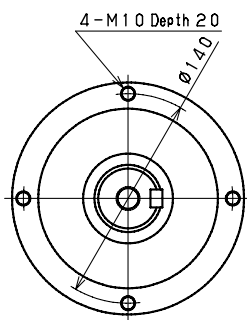
Input bore size $\leq \phi 19$ mm



Input bore size $\leq \phi 28$ mm



Input bore size $\leq \phi 38$ mm (*3)



Keyed shaft

Smooth shaft

*1) Length will vary depending on motor

*2) Bushing will be inserted to adapt to motor shaft

*3) 48mm input bore is available for this frame size. Use our online configurator to make your selection or contact us for assistance