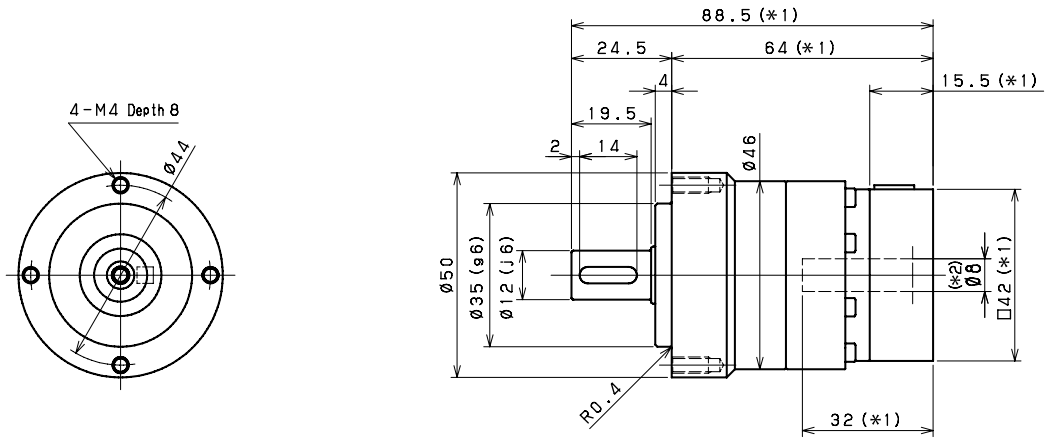


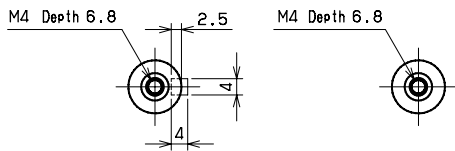
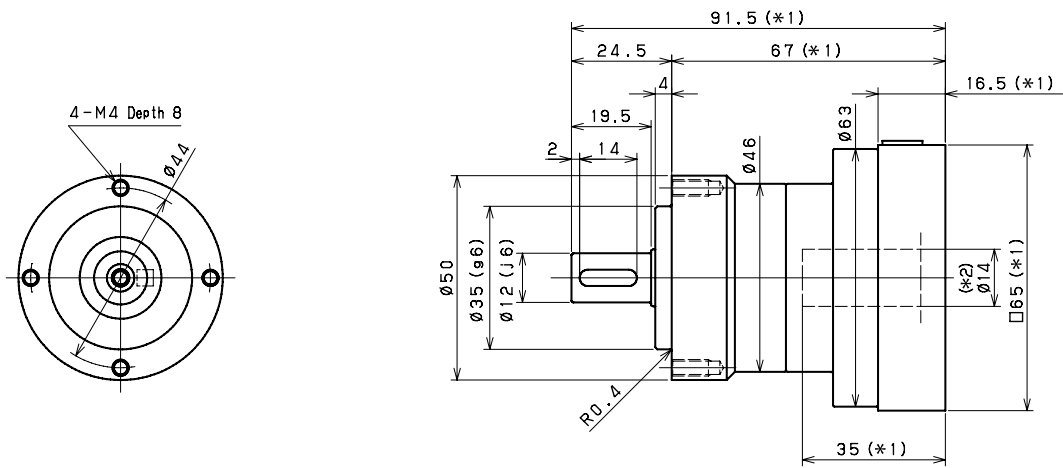
VRL SERIES Inline Planetary

VRL 050 1-Stage Dimensions

Input bore size $\leq \phi 8$ mm

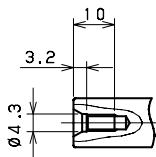


Input bore size $\leq \phi 14$ mm



Keyed shaft

Smooth shaft



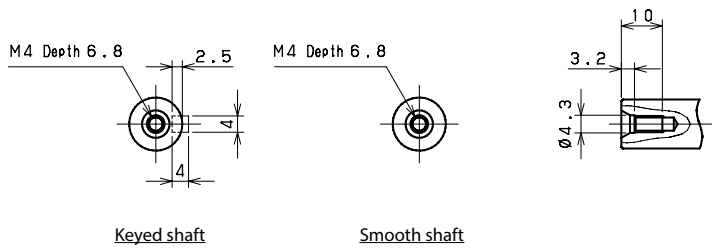
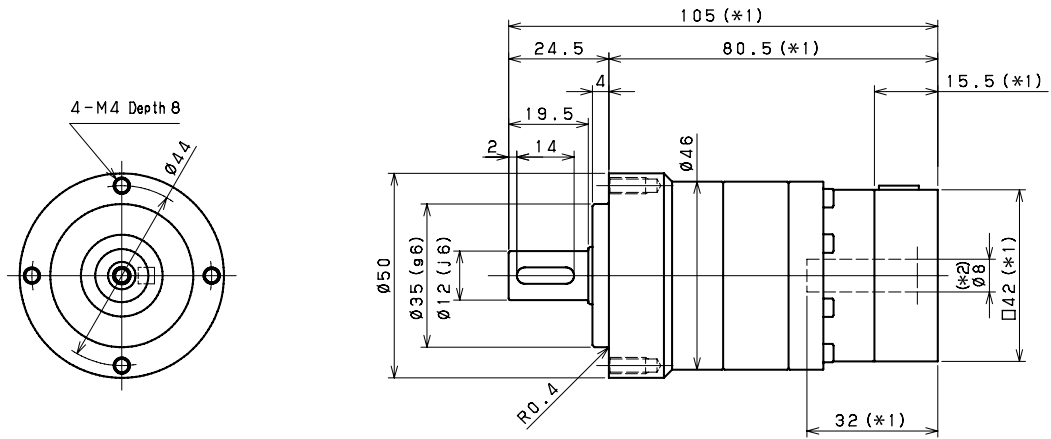
*1) Length will vary depending on motor

*2) Bushing will be inserted to adapt to motor shaft

VRL 050 2-Stage Dimensions

VRL

Input bore size $\leq \phi 8$ mm



*1) Length will vary depending on motor
 *2) Bushing will be inserted to adapt to motor shaft