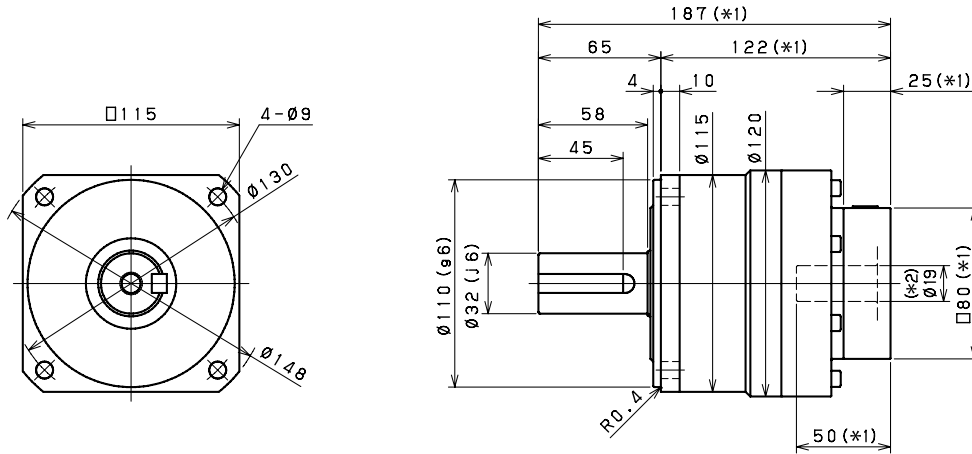


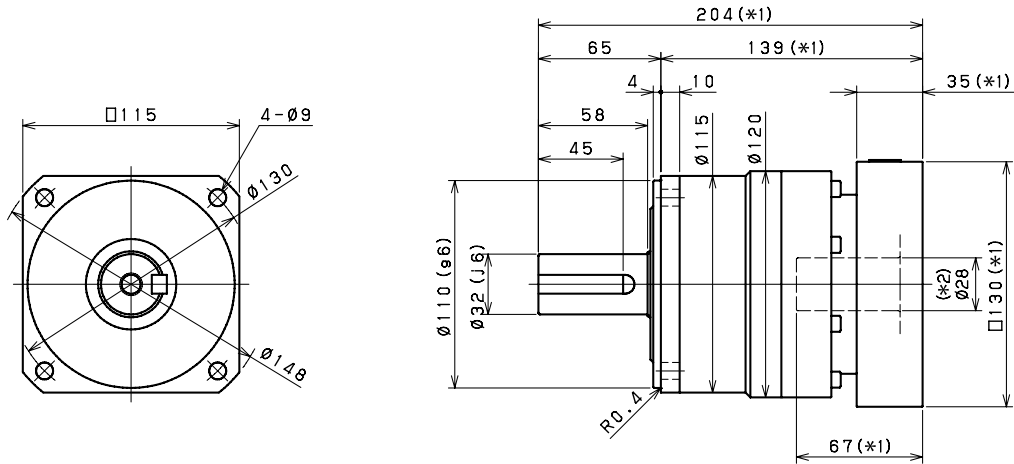
VRB SERIES Inline Planetary

VRB 115 1-Stage Dimensions

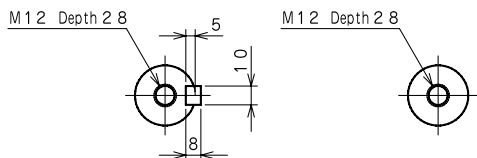
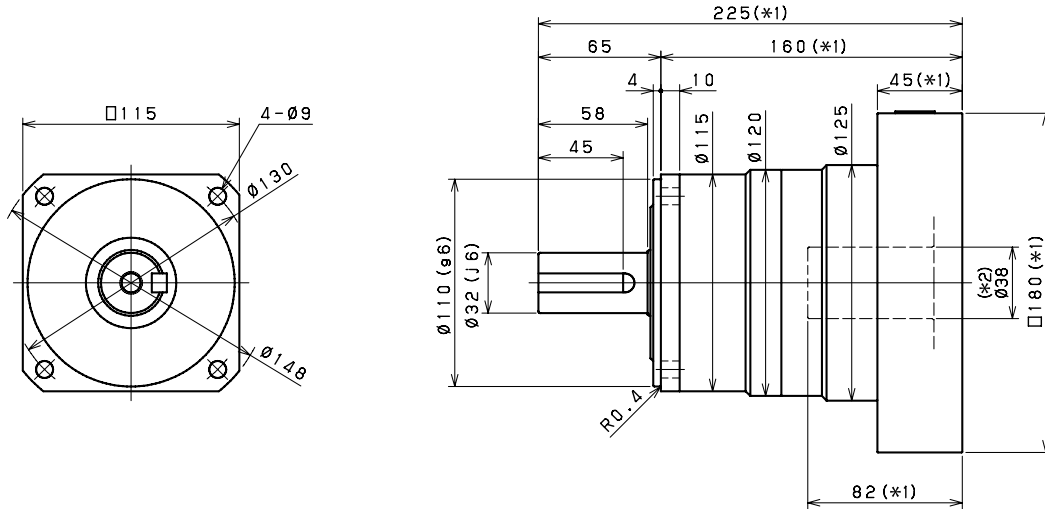
Input bore size $\leq \phi 19$ mm



Input bore size $\leq \phi 28$ mm



Input bore size $\leq \phi 38$ mm



Keyed shaft

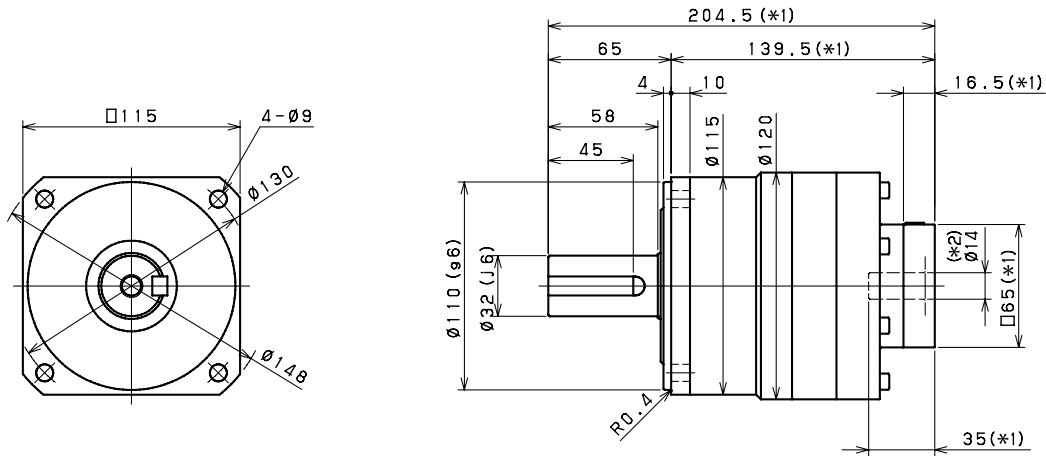
Smooth shaft

*1) Length will vary depending on motor

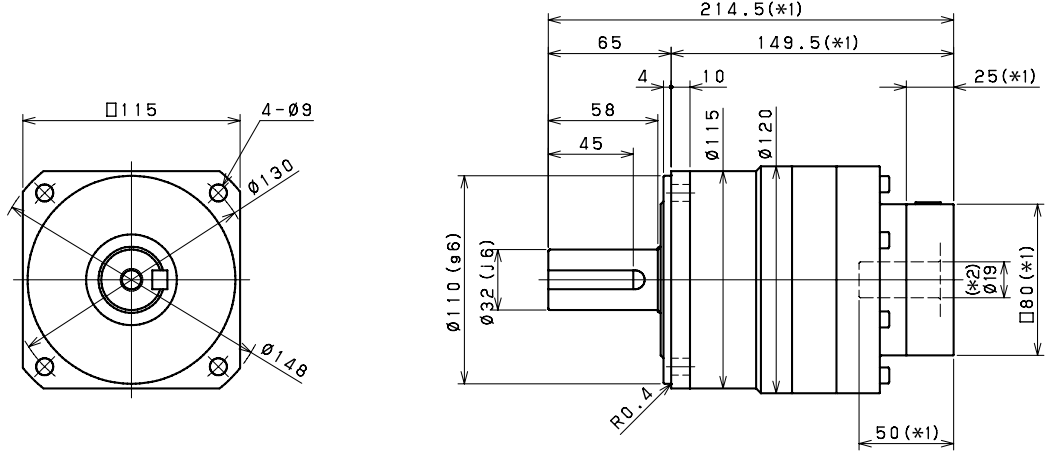
*2) Bushing will be inserted to adapt to motor shaft

VRB 115 2-Stage Dimensions

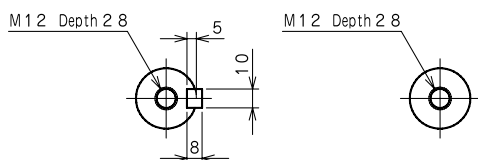
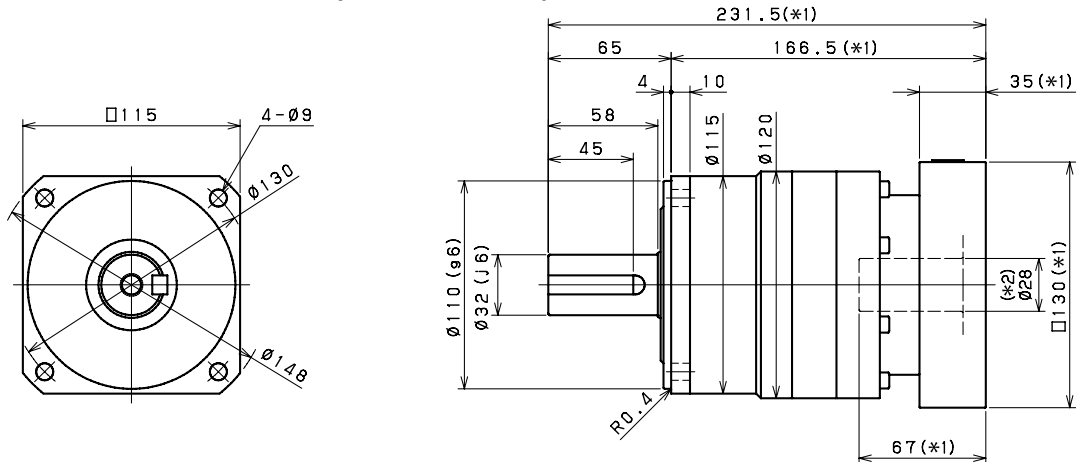
Input bore size $\leq \varnothing 14$ mm



Input bore size $\leq \varnothing 19$ mm



Input bore size $\leq \varnothing 28$ mm ^(*3)



Keyed shaft

Smooth shaft

*1) Length will vary depending on motor

*2) Bushing will be inserted to adapt to motor shaft

*3) 38mm input bore is available for this frame size. Use our online configurator to make your selection or contact us for assistance