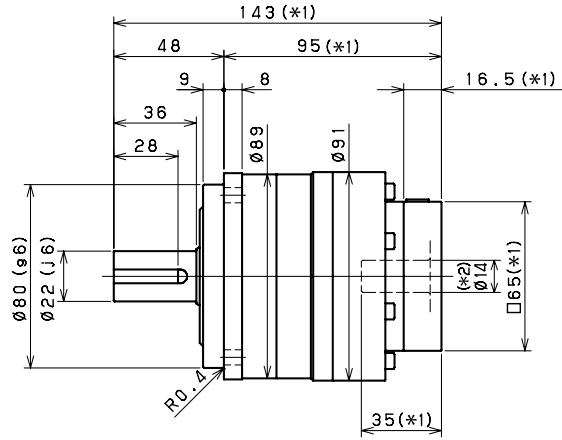
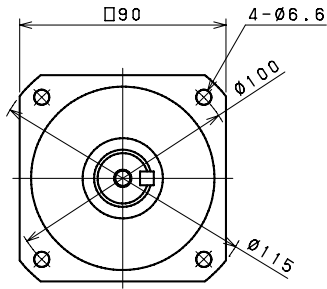


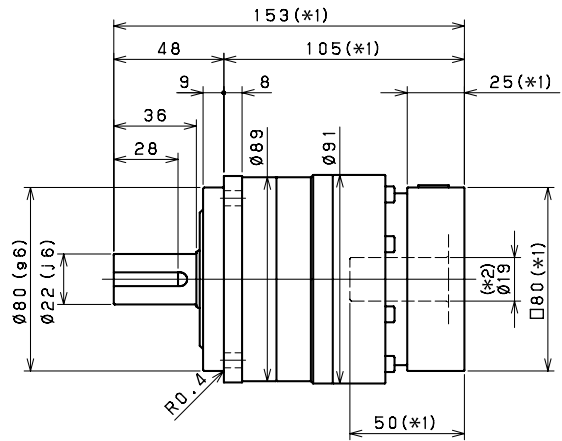
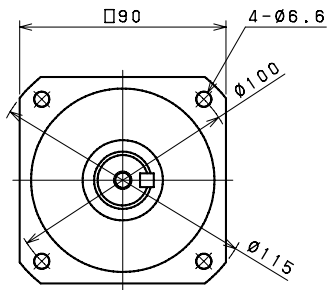
VRB SERIES Inline Planetary

VRB 090 1-Stage Dimensions

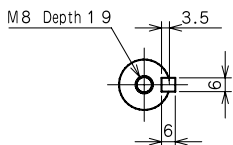
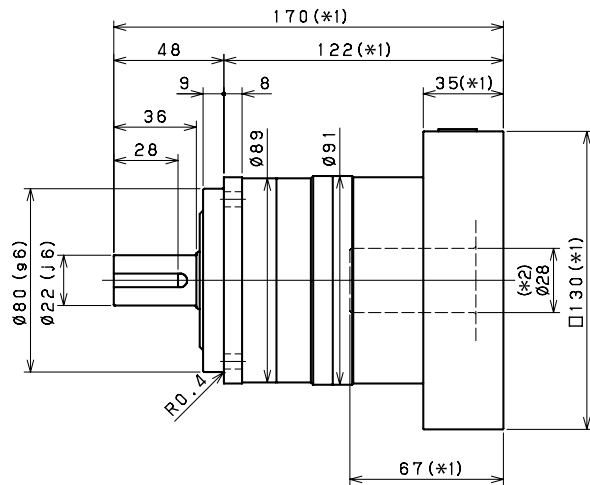
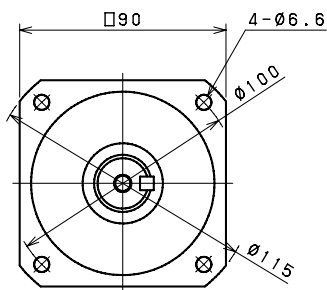
Input bore size $\leq \varnothing 14$ mm



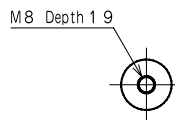
Input bore size $\leq \varnothing 19$ mm



Input bore size $\leq \varnothing 28$ mm



Keyed shaft



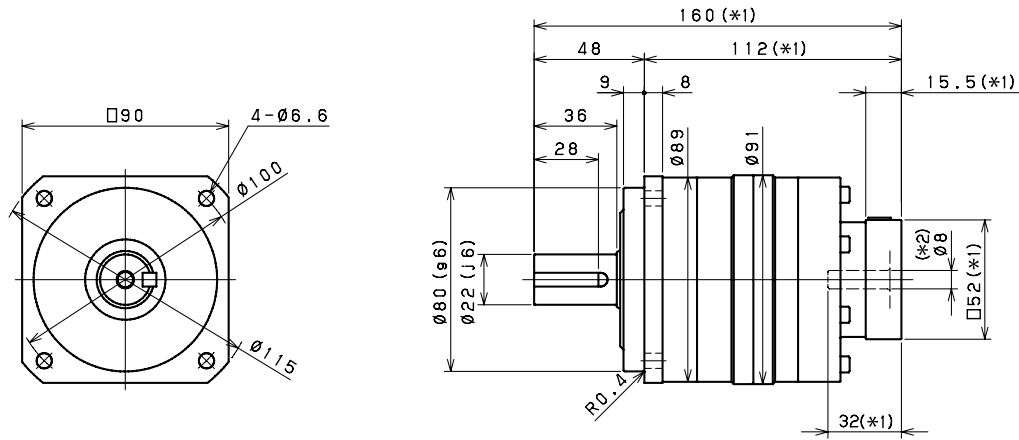
Smooth shaft

*1) Length will vary depending on motor

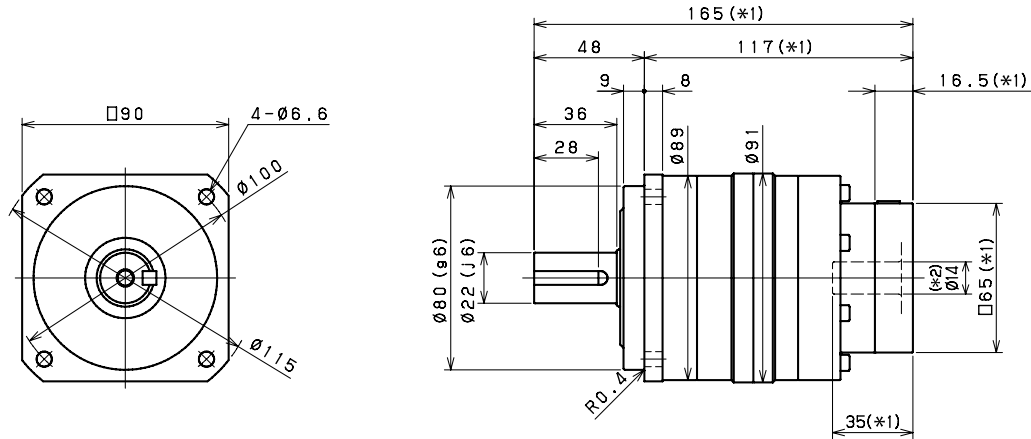
*2) Bushing will be inserted to adapt to motor shaft

VRB 090 2-Stage Dimensions

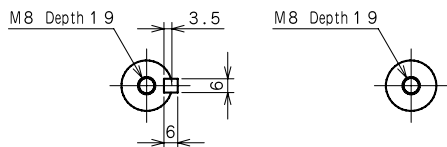
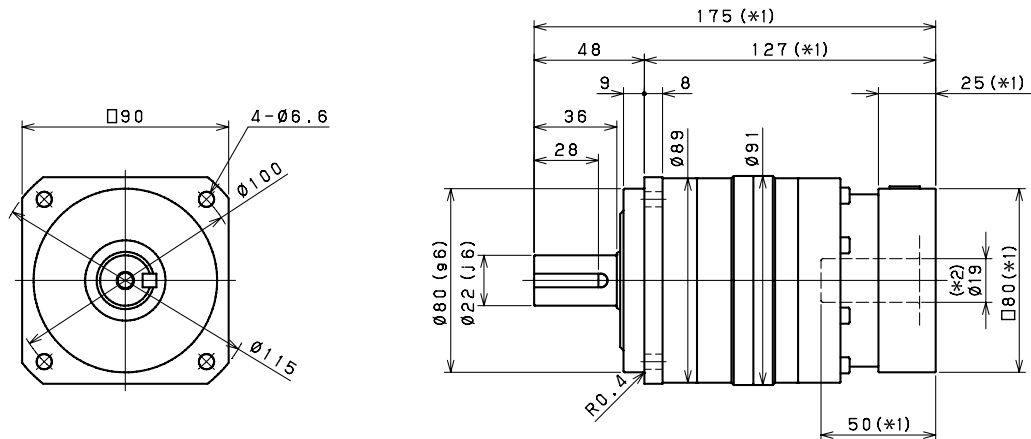
Input bore size $\leq \varnothing 8 \text{ mm}$



Input bore size $\leq \varnothing 14 \text{ mm}$



Input bore size $\leq \varnothing 19 \text{ mm}$ (*3)



Keyed shaft

Smooth shaft

*1) Length will vary depending on motor

*2) Bushing will be inserted to adapt to motor shaft

*3) 28mm input bore is available for this frame size. Use our online configurator to make your selection or contact us for assistance