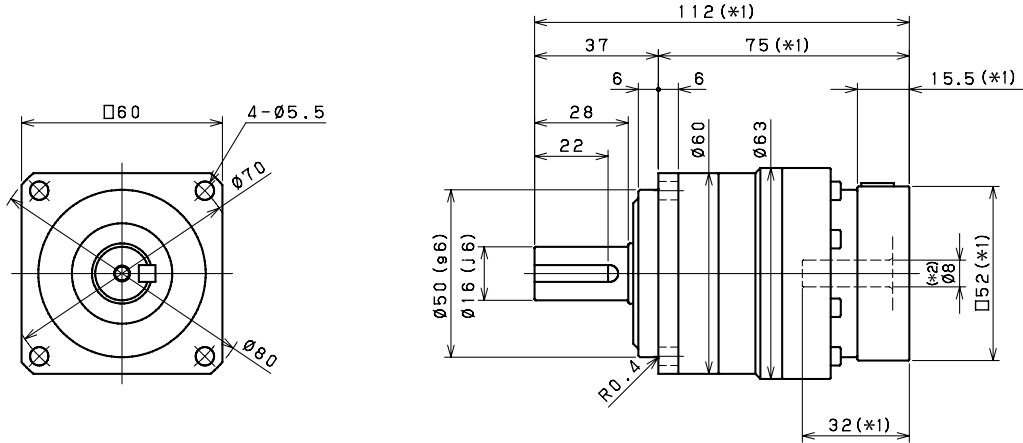


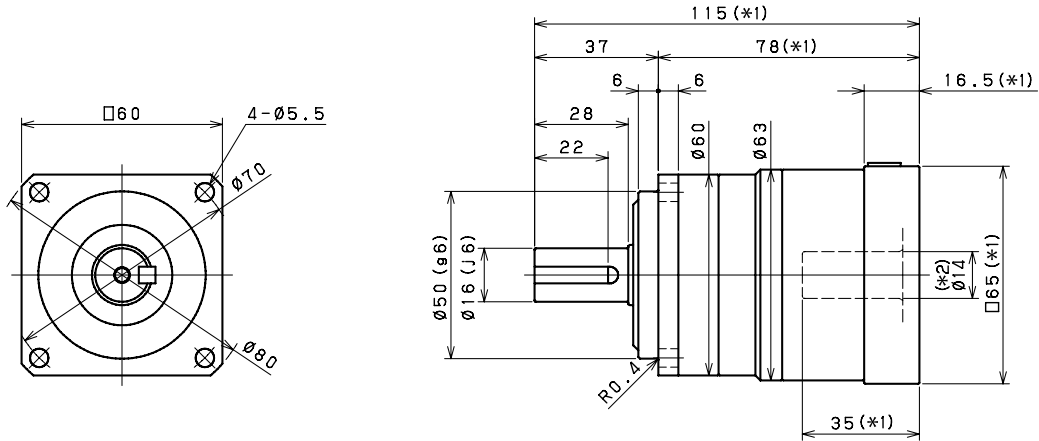
VRB SERIES Inline Planetary

VRB o6o 1-Stage Dimensions

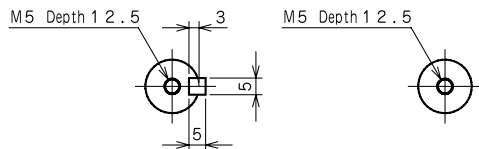
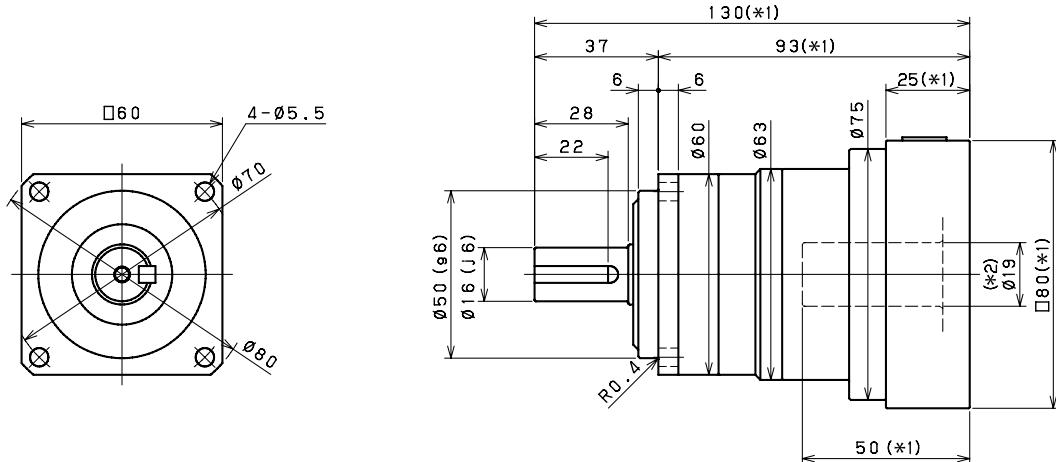
Input bore size $\leq \varnothing 8 \text{ mm}$



Input bore size $\leq \varnothing 14 \text{ mm}$



Input bore size $\leq \varnothing 19 \text{ mm}$



Keyed shaft

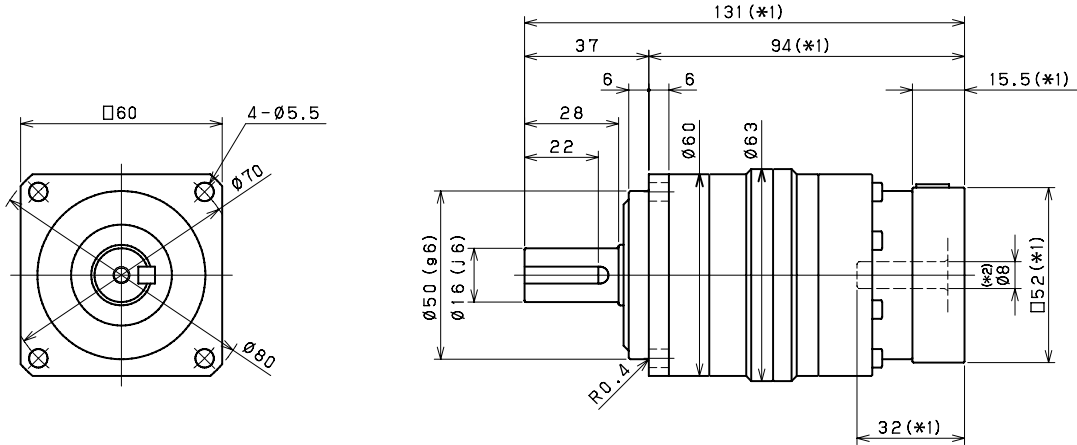
Smooth shaft

*1) Length will vary depending on motor

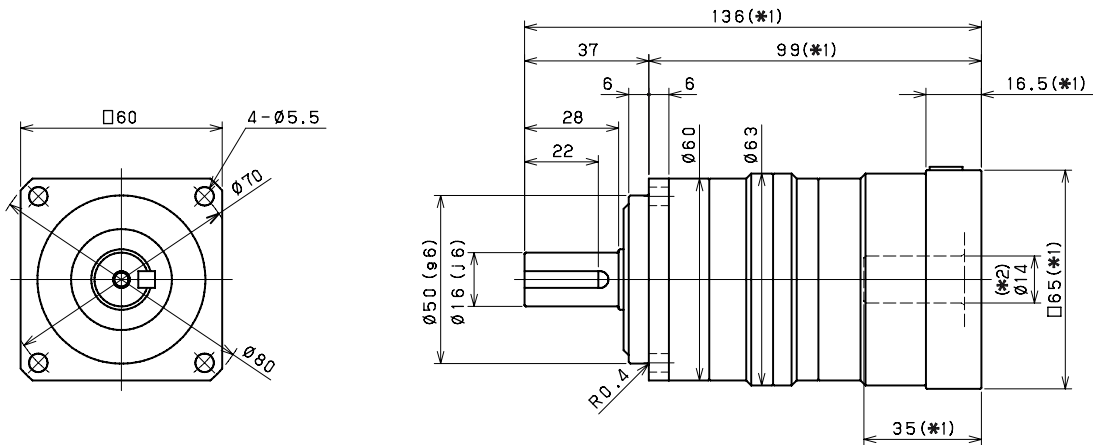
*2) Bushing will be inserted to adapt to motor shaft

VRB o6o 2-Stage Dimensions

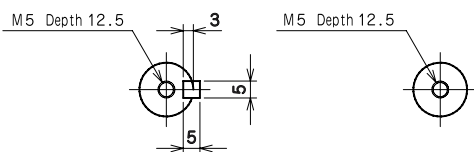
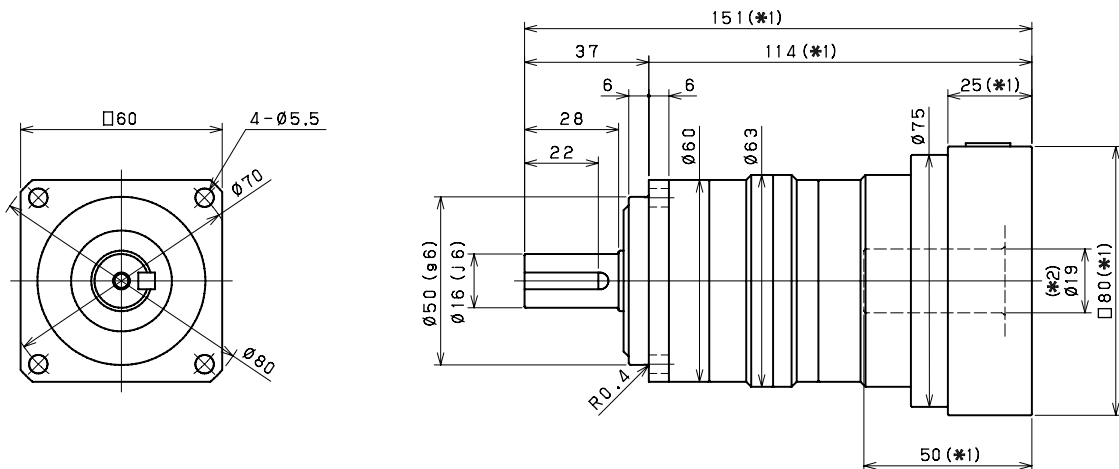
Input bore size $\leq \varnothing 8$ mm



Input bore size $\leq \varnothing 14$ mm



Input bore size $\leq \varnothing 19$ mm



Keyed shaft

Smooth shaft

*1) Length will vary depending on motor

*2) Bushing will be inserted to adapt to motor shaft