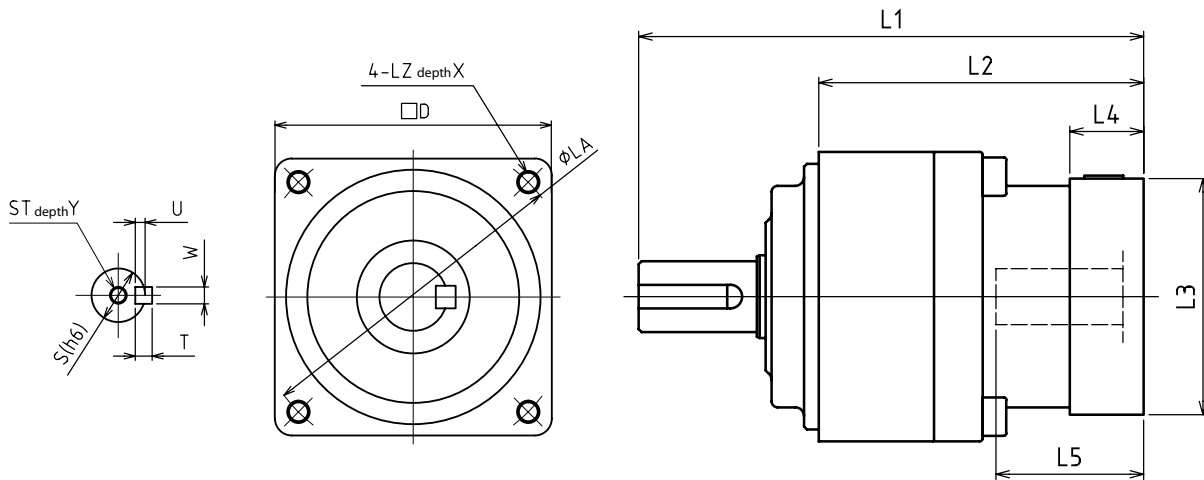


# VRSF SERIES Inline Planetary

## VRSF D-Frame 1-Stage and 2-Stage Dimensions



Frame Size	Ratio	Input Bore Dia. E	Dimensions															
			L	LR	S	ST	Y	Q	QM	QK	WxU	T	D	LB	LE	LA	LZ	X
D	1-Stage	≅ φ14	155	61	24	M8	16	40	35	30	8x4	7	98	90	5	115	M8	20
		≅ φ19	171															
		≅ φ28	186															
	2-Stage	≅ φ8	163															
		≅ φ14	169															
		≅ φ19	184															
		≅ φ28	200.5															