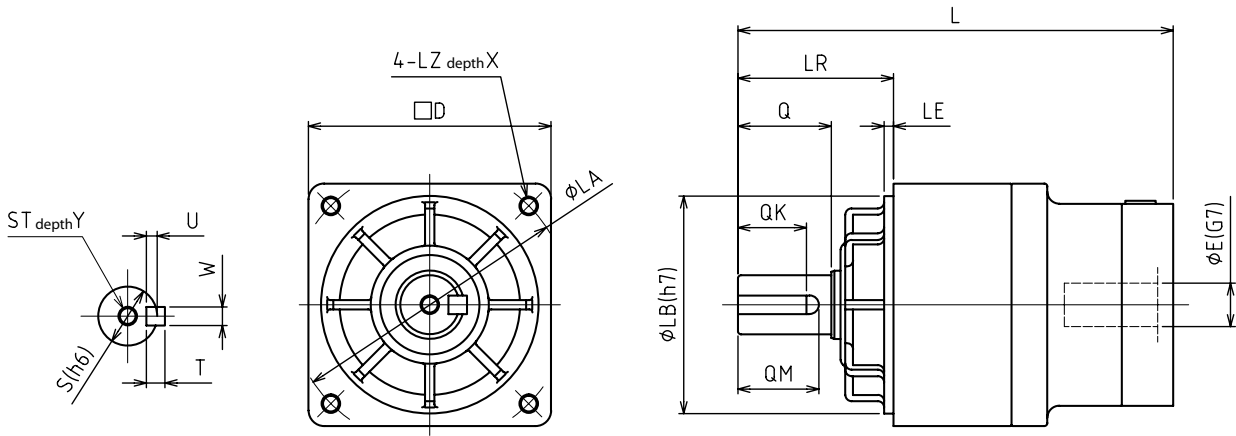


VRSF SERIES Inline Planetary

VRSF B-Frame 1-Stage and 2-Stage Dimensions



Frame Size	Ratio	Input Bore Dia. E	Dimensions															
			L	LR	S	ST	Y	Q	QM	QK	W×U	T	D	LB	LE	LA	LZ	X
B	1-Stage	≅ φ8	104.5	32	12	M5	10	20	18	16	4×2.5	4	52	50	3	60	M5	12
		≅ φ14	107.5															
	2-Stage	≅ φ8	115.5															
		≅ φ14	118.5															