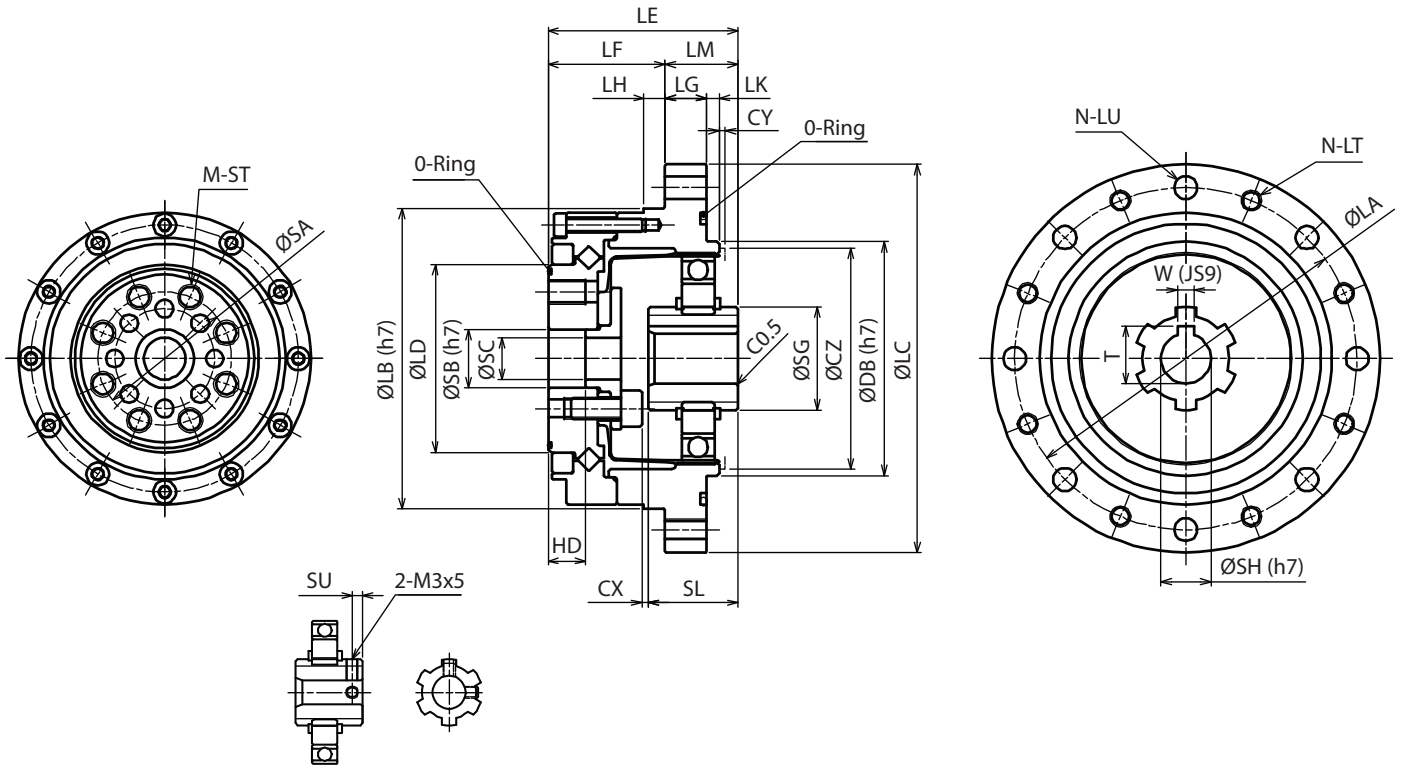


Closed Style - Complete Unit Assembly

WPU-□-□-**CN**

WPU-□-□-**CF**



INPUT SHAFT FOR 35 & 42

Size	LA	LB	LC	LD	N *1	LT	LU	LE	LF	LG	LH	LK	LM	DB	SG
35	65	56	73	31	8 (6)	M4	4.5	41	27	7	3.5	2	14	38	15.8
42	71	63	79	38	8 (6)	M4	4.5	45	29	8	4	2	16	48	15.8
50	82	72	93	45	8 (6)	M5	5.5	45.5	28	10	5	3	17.5	56	24.8
63	96	86	107	58	10 (8)	M5	5.5	52	36	10	5	3	16	67	27.8
80	125	113	138	78	12	M6	6.5	62	45	12	5	3	17	90	27.8

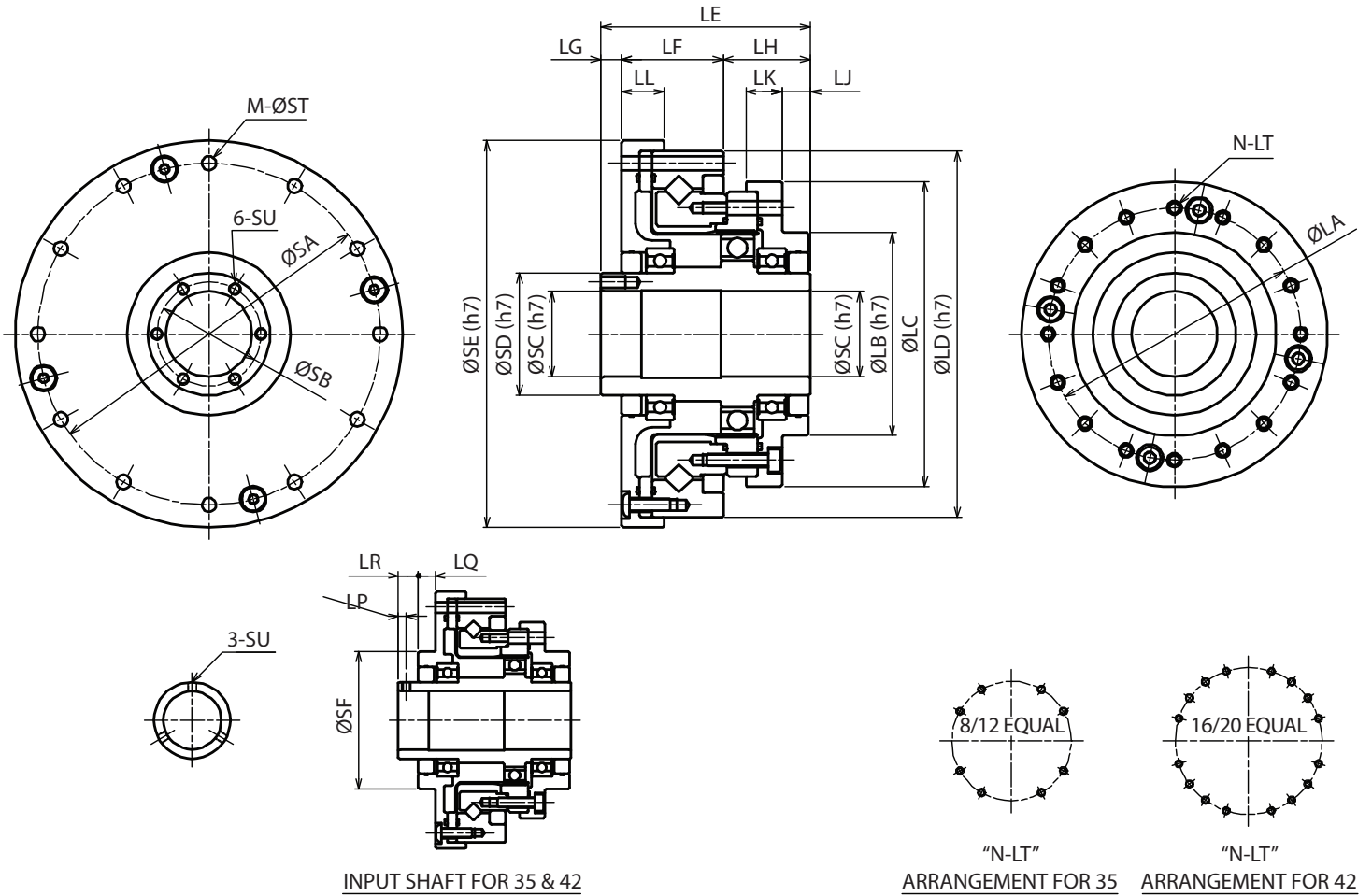
Size	SH	SL	W	T	SU	SA	SB	SC	M	ST	HD	CX	CY	CZ
35	6	18.5	-	-	2.5	23	11	8	6	M4x8	9.5	1.6	1	38
42	8	20.7	-	-	3	27	10	7	6	M5x8	9.5	1.3	1	45
50	12	21.5	4	13.8	-	32	14	10	8	M6x9	9	1.5	1.5	53
63	14	21.6	5	16.3	-	42	20	15	8	M8x10	12	3.4	1.5	66
80	14	23.6	5	16.3	-	55	26	20	8	M10x12	15	5.2	1.5	86

*1) -CN and -CF are different in dimensions. The -CF value is shown in parentheses

*2) For details in the input section, check the drawings

Open Style - Complete Unit Assembly (Hollow shaft)

WPU-□-□-SNH

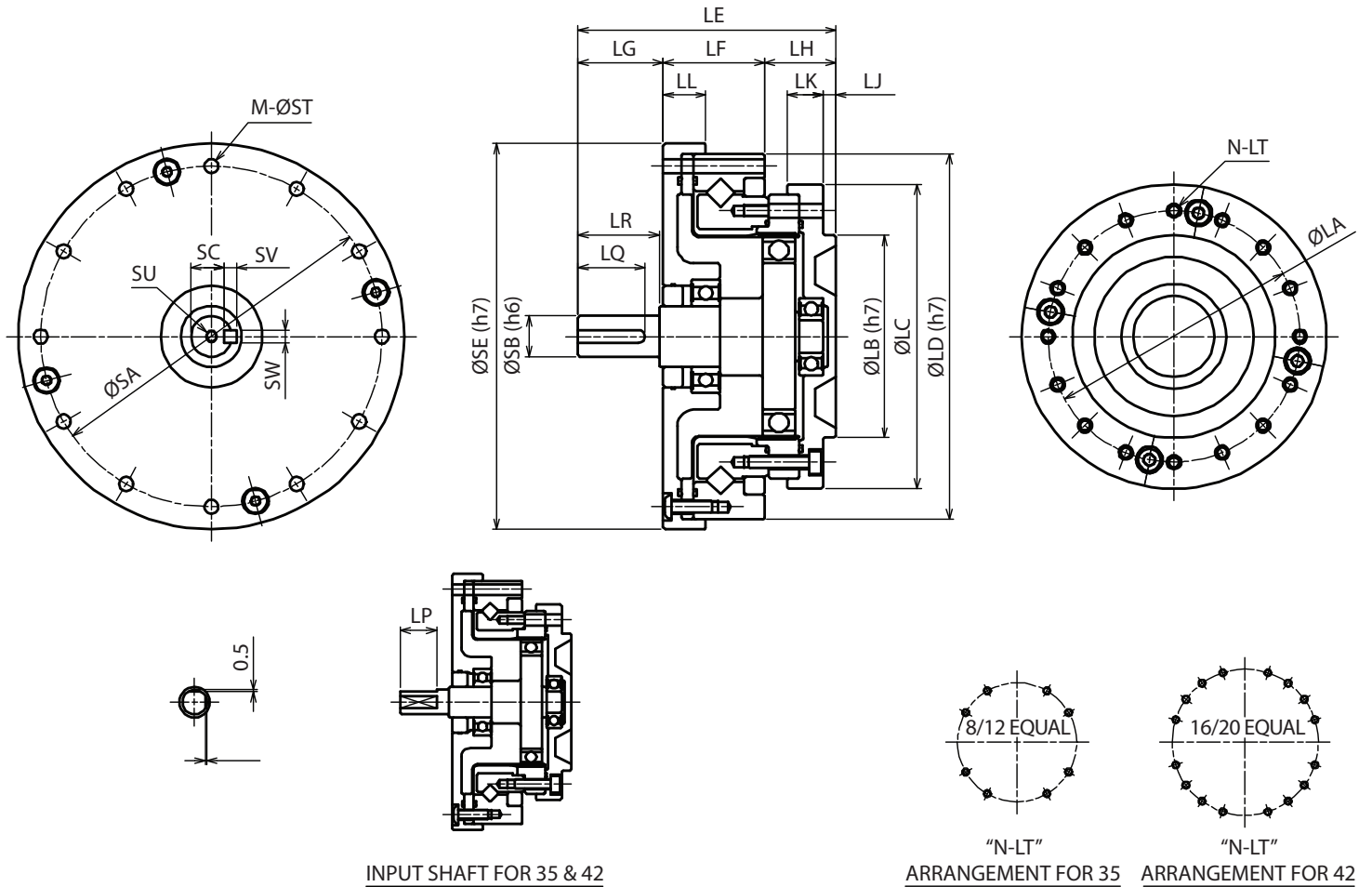


Size	LA	LB	LC	LD	LE	LF	LG	LH	LJ	LK	LL	LP	LQ	LR
35	44	36	54	70	52.5	20.5	12	20	7.5	8	9	2.5	5.5	6.5
42	54	45	64	80	56.5	23	12	21.5	8.5	8.5	10	2.5	5.5	6.5
50	62	50	75	90	51.5	25	5	21.5	7	9	10.5	-	-	-
63	77	60	90	110	55.5	26	6	23.5	6	8.5	10.5	-	-	-
80	100	85	115	142	65.5	32	7	26.5	5	9.5	12	-	-	-

Size	SA	SB	SC	SD	SE	SF	M	ST	SU	N	LT
35	64	-	14	20	74	36	8	3.5	M3	8	M3×5, φ3.5×11.5
42	74	-	19	25	84	45	12	3.5	M3	16	M3×6, φ3.5×12
50	84	25.5	21	30	95	-	12	3.5	M3×6	16	M3×6, φ3.5×13.5
63	102	33.5	29	38	115	-	12	4.5	M3×6	16	M4×7, φ4.5×15.5
80	132	40.5	36	45	147	-	12	5.5	M3×6	16	M5×8, φ5.5×20.5

Open Style - Complete Unit Assembly (Input shaft)

WPU-□-□-SNJ



Size	LA	LB	LC	LD	LE	LF	LG	LH	LJ	LK	LL	LP	LQ	LR
35	44	36	54	70	50.5	20.5	15	15	2.5	8	9	11	-	-
42	54	45	64	80	56	23	17	16	3	8.5	10	12	-	-
50	62	50	75	90	63.5	25	21	17.5	3	9	10.5	-	16.5	20
63	77	60	90	110	72.5	26	26	20.5	3	8.5	10.5	-	22.5	25
80	100	85	115	142	84.5	32	26	26.5	5	9.5	12	-	22.5	25

Size	SA	SB	SC	SE	SV	SW	M	ST	SU	N	LT
35	64	6	-	74	-	-	8	3.5	M3	8	M3×5, φ3.5×11.5
42	74	8	-	84	-	-	12	3.5	M3	16	M3×6, φ3.5×12
50	84	10	8.2	95	3	3	12	3.5	M3×6	16	M3×6, φ3.5×13.5
63	102	14	11	115	5	5	12	4.5	M3×6	16	M4×7, φ4.5×15.5
80	132	14	11	147	5	5	12	5.5	M3×6	16	M5×8, φ5.5×20.5