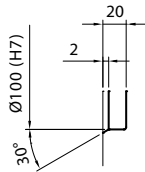
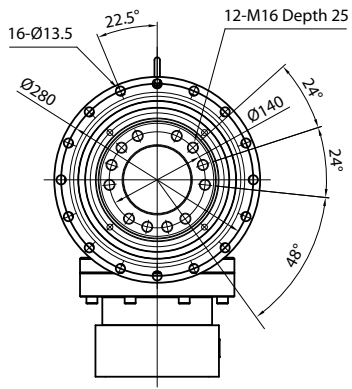


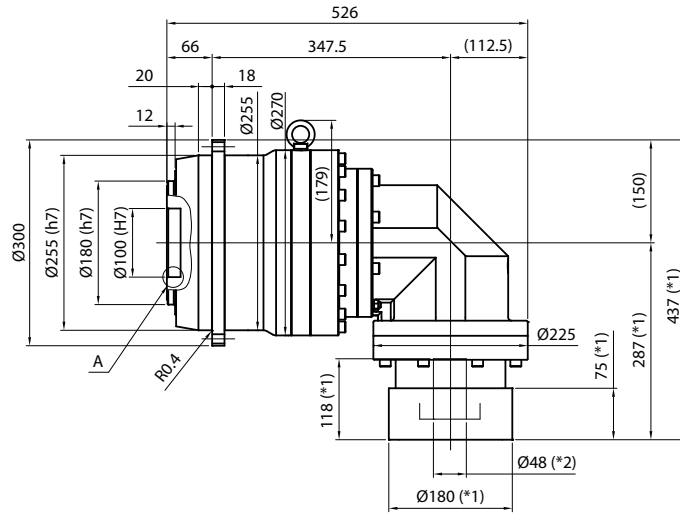


## EVT 255 3-Stage Dimensions

Input bore size  $\leq \varnothing 48\text{mm}$



Enlarged detail A



\*1) Length will vary depending on motor

\*2) Bushing will be inserted to adapt to motor shaft