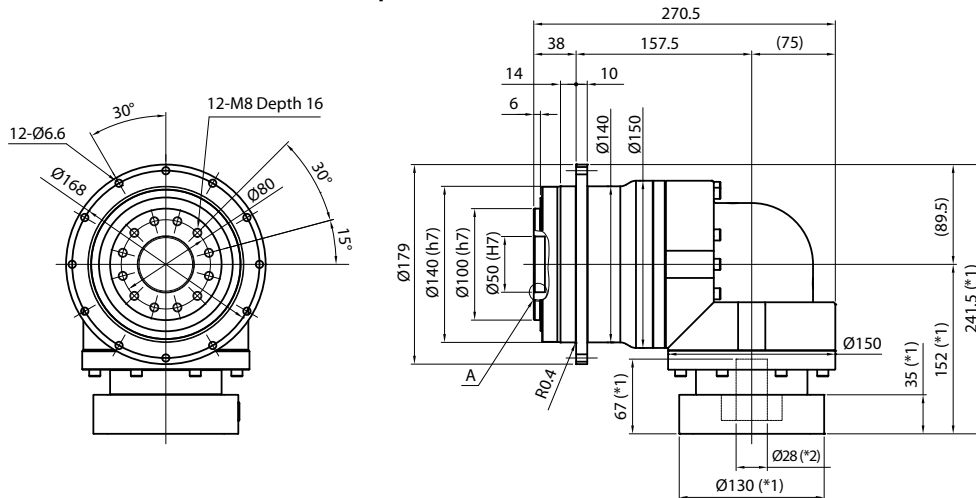


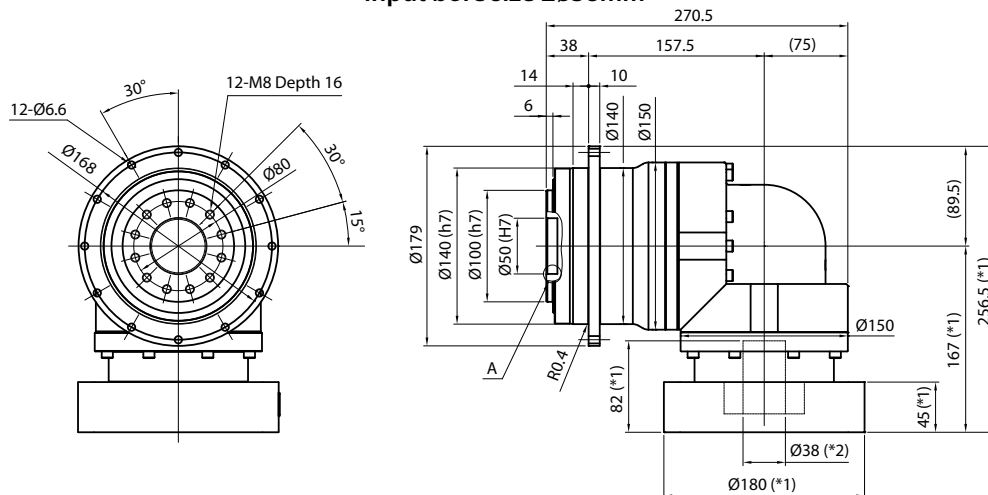
EVT SERIES Right-angle Planetary

EVT 140 2-Stage Dimensions

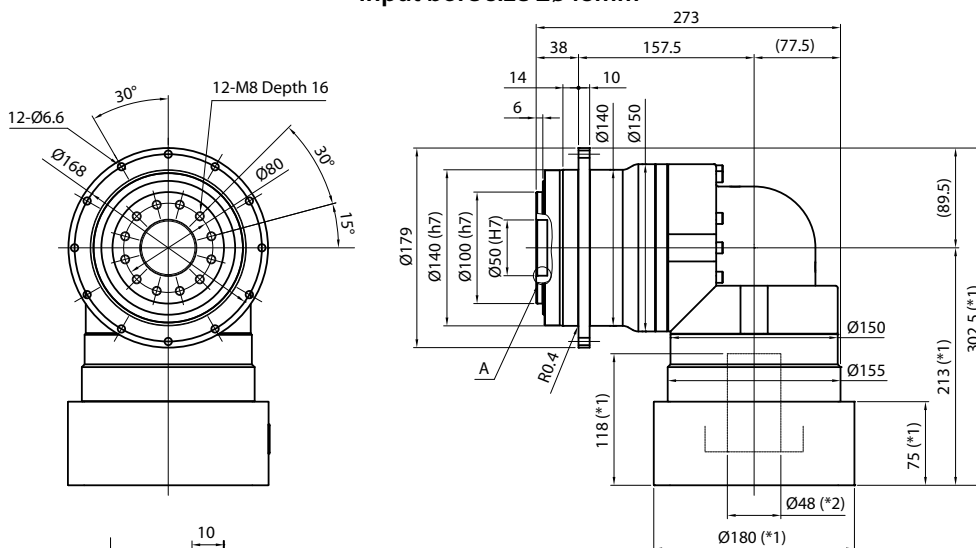
Input bore size $\leq \varnothing 28\text{mm}$



Input bore size $\leq \varnothing 38\text{mm}$



Input bore size $\leq \varnothing 48\text{mm}$

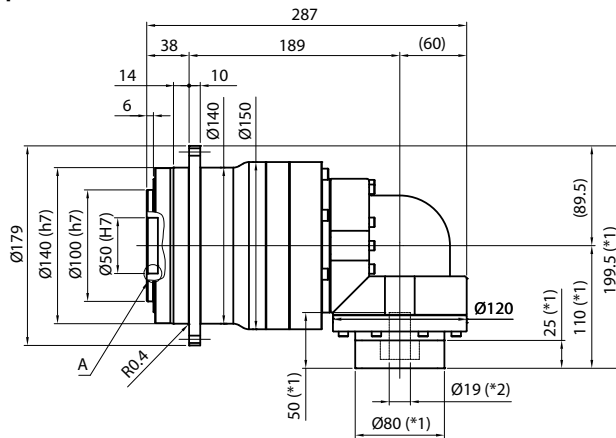
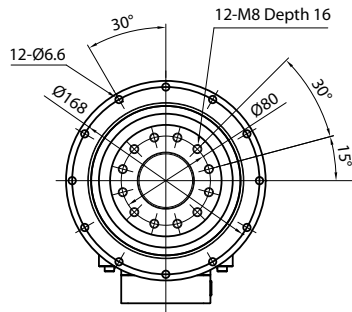


*1) Length will vary depending on motor

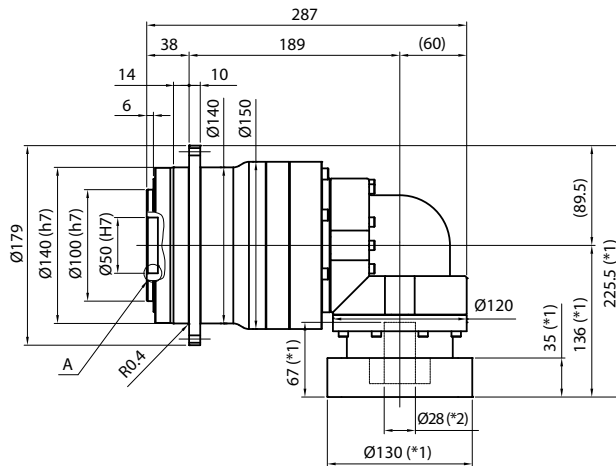
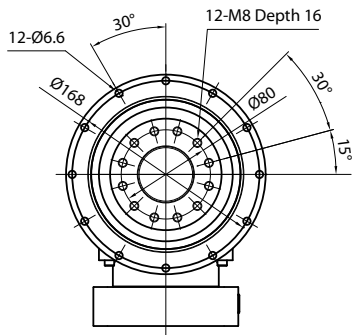
*2) Bushing will be inserted to adapt to motor shaft

EVT 140 3-Stage Dimensions

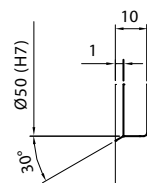
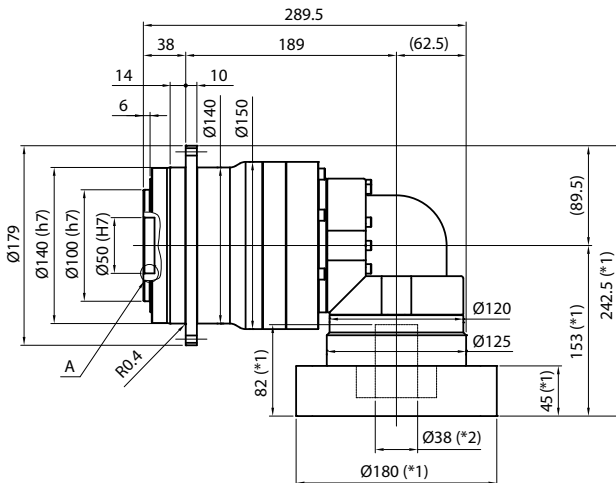
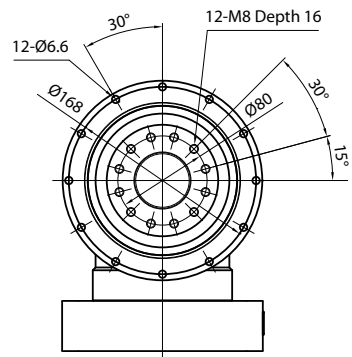
Input bore size $\leq \varnothing 19\text{mm}$



Input bore size $\leq \varnothing 28\text{mm}$



Input bore size $\leq \varnothing 38\text{mm}$



*1) Length will vary depending on motor

*2) Bushing will be inserted to adapt to motor shaft