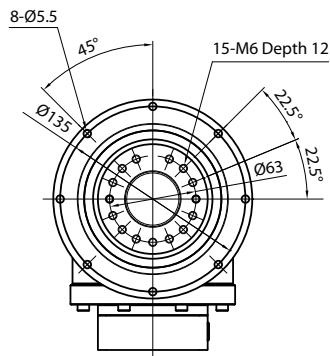
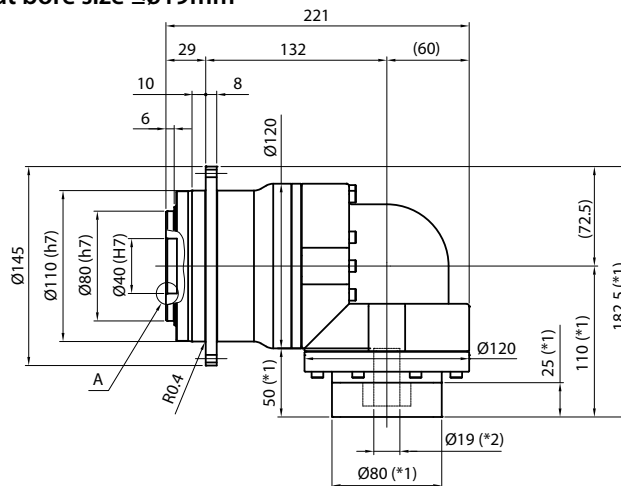


EVT SERIES Right-angle Planetary

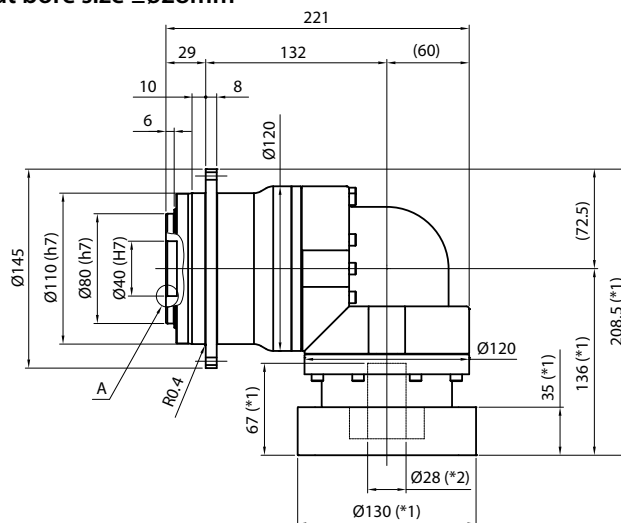
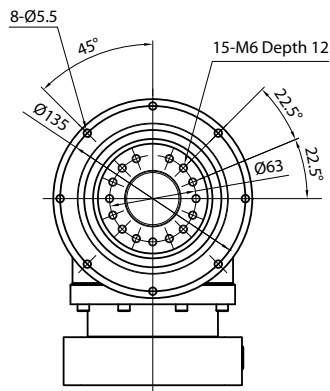
EVT 110 2-Stage Dimensions



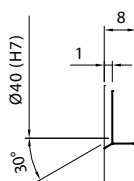
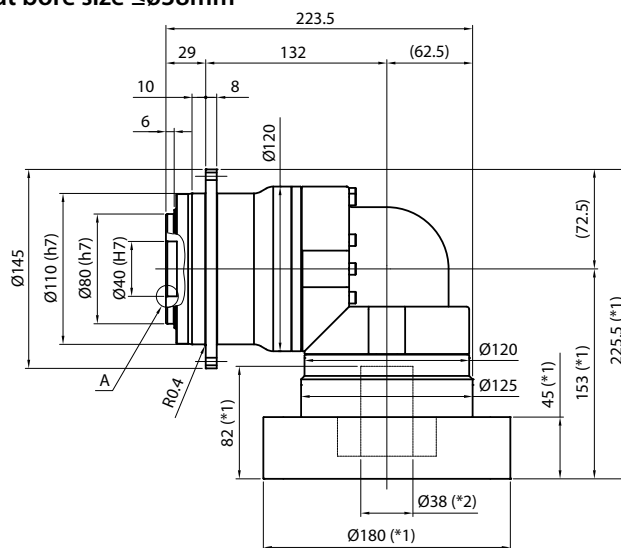
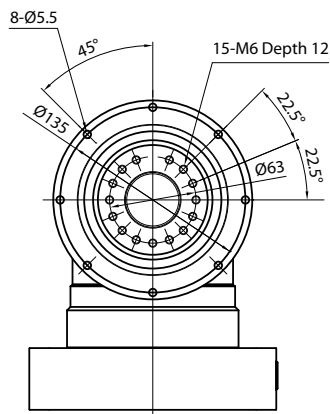
Input bore size $\leq \varnothing 19\text{mm}$



Input bore size $\leq \varnothing 28\text{mm}$



Input bore size $\leq \varnothing 38\text{mm}$



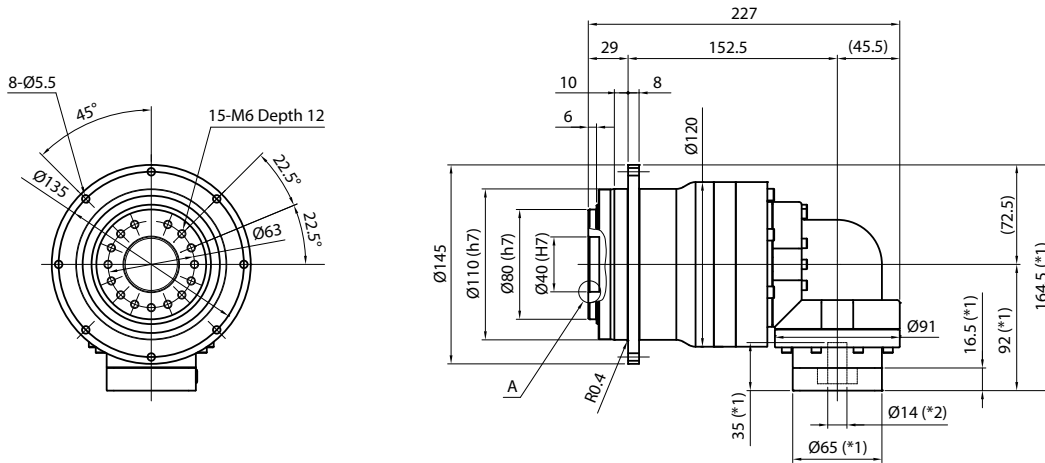
Enlarged detail A

*1) Length will vary depending on motor

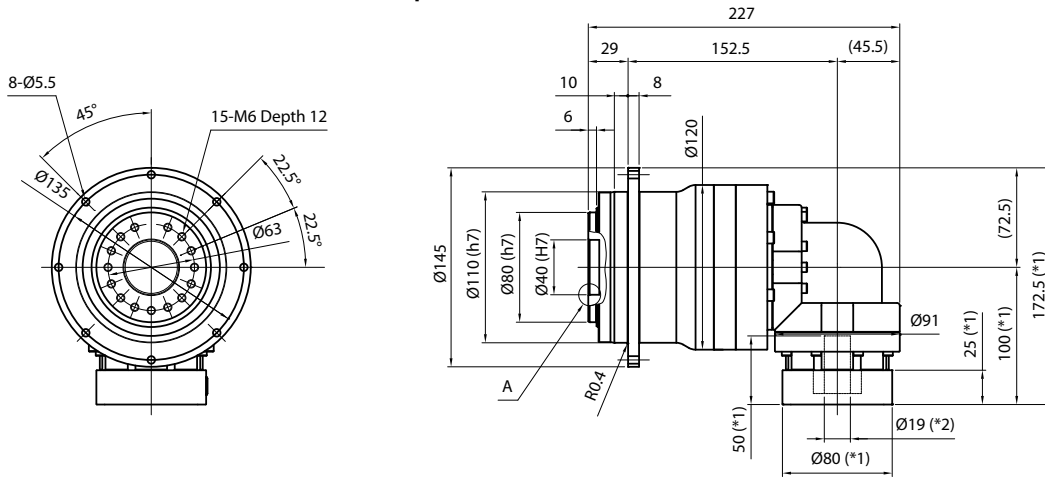
*2) Bushing will be inserted to adapt to motor shaft

EVT 110 3-Stage Dimensions

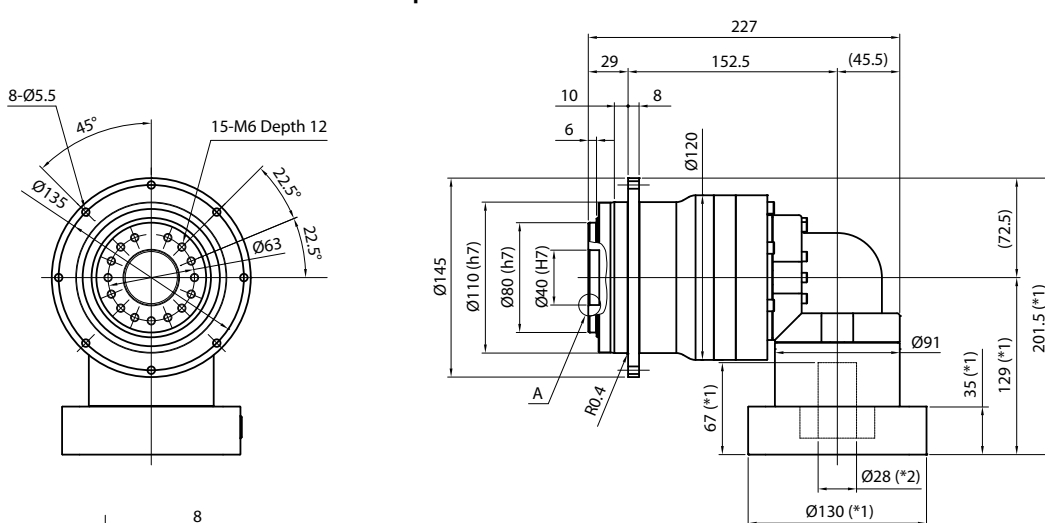
Input bore size $\leq \varnothing 14\text{mm}$



Input bore size $\leq \varnothing 19\text{mm}$



Input bore size $\leq \varnothing 28\text{mm}$



*1) Length will vary depending on motor

*2) Bushing will be inserted to adapt to motor shaft