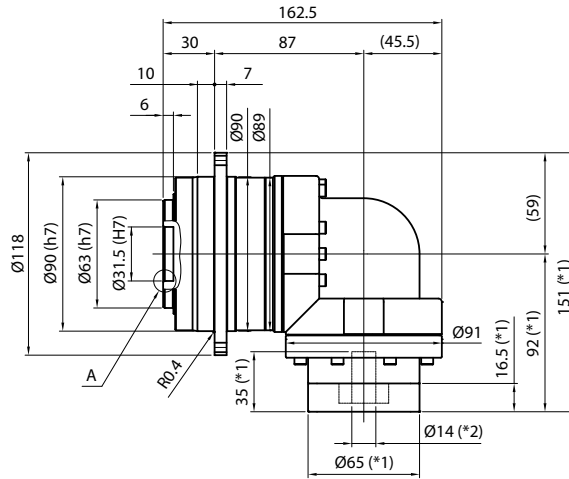
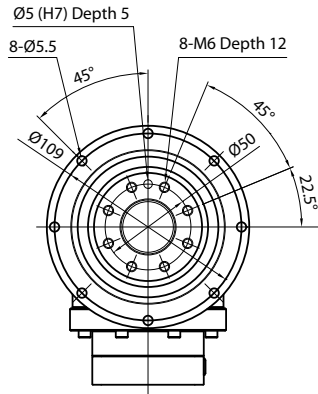


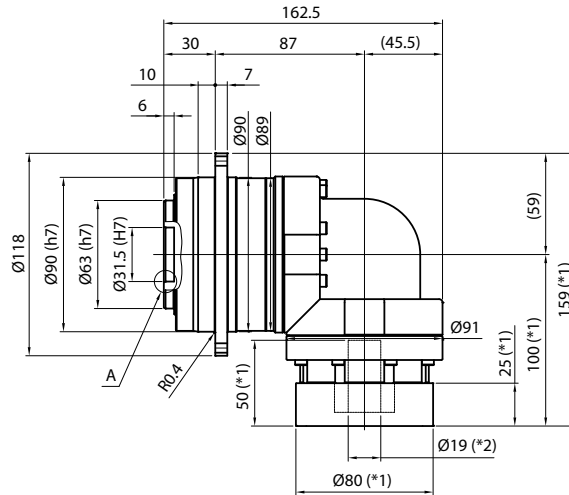
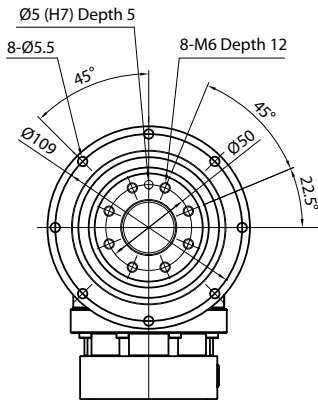
# EVT SERIES Right-angle Planetary

## EVT 090 2-Stage Dimensions

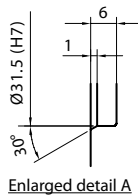
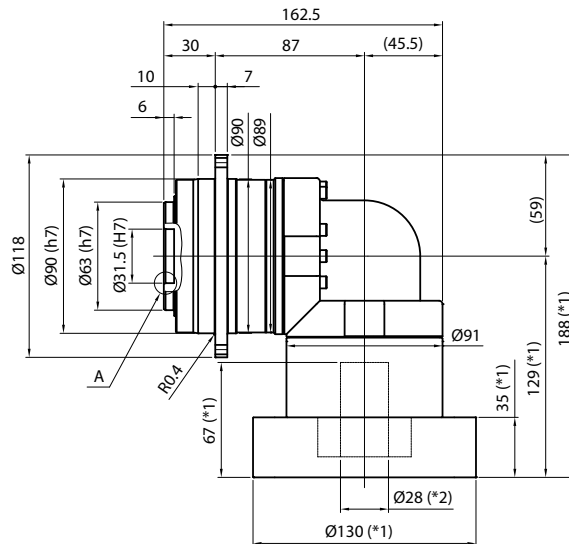
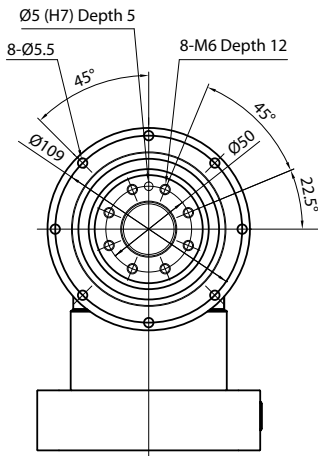
### Input bore size $\leq \varnothing 14\text{mm}$



### Input bore size $\leq \varnothing 19\text{mm}$



### Input bore size $\leq \varnothing 28\text{mm}$

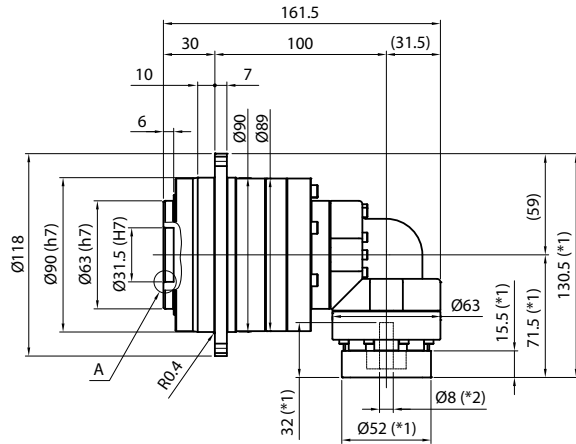
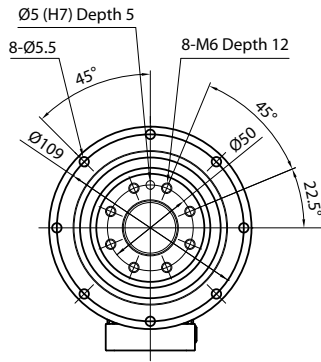


\*1) Length will vary depending on motor

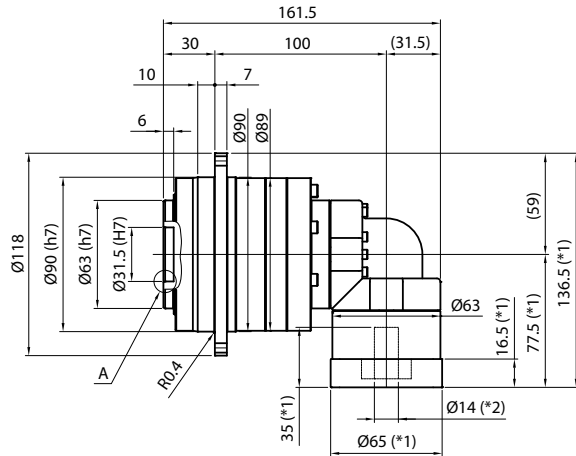
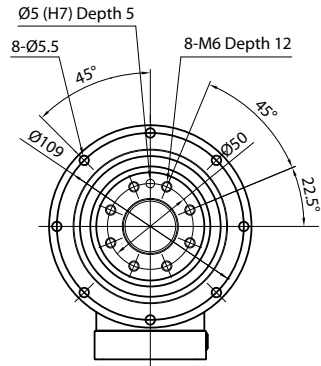
\*2) Bushing will be inserted to adapt to motor shaft

## EVT 090 3-Stage Dimensions

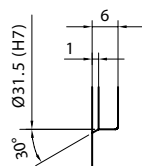
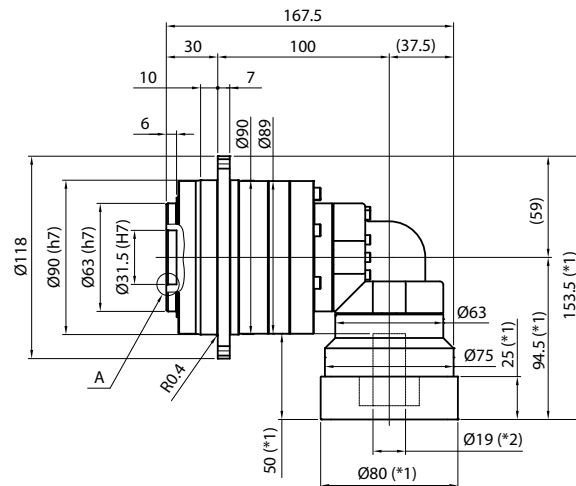
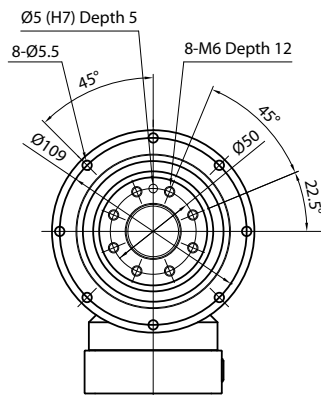
### Input bore size $\leq \varnothing 8\text{mm}$



### Input bore size $\leq \varnothing 14\text{mm}$



### Input bore size $\leq \varnothing 19\text{mm}$



Enlarged detail A

\*1) Length will vary depending on motor

\*2) Bushing will be inserted to adapt to motor shaft