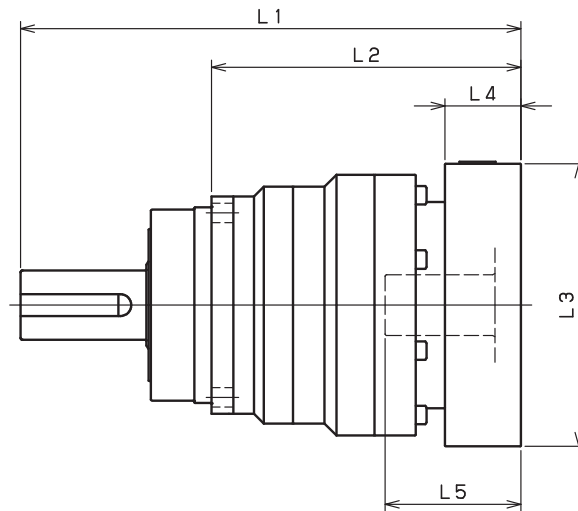


VRS-210 – 1-Stage Adapter Dimensions



Model number	**: Adapter code	1-Stage					
		L1	L*	L2	L3	L4	L5
VRS-210-□-□-38** (Input shaft bore ≤ φ38)	HA	--	--	--	--	--	--
	HB-HE	--	--	--	--	--	--
	JA	--	--	--	--	--	--
	KA-KB-KC	--	--	--	--	--	--
	KD	--	--	--	--	--	--
	KE	--	--	--	--	--	--
	LA	--	--	--	--	--	--
	LB	--	--	--	--	--	--
	MA-MB	--	--	--	--	--	--
	MC	--	--	--	--	--	--
	MD	--	--	--	--	--	--
NA	--	--	--	--	--	--	
VRS-210-□-□-48** (Input shaft bore ≤ φ48)	KA	414	339	271	□180	75	118
	KB-KC	394	339	251	□180	55	98
	LA	394	339	251	□200	55	98
	MA	394	339	251	□220	55	98
	MB	414	339	271	□220	75	118
	NA	414	339	271	□250	75	118
	PA	414	339	271	□280	75	118
VRS-210-□-□-65** (Input shaft bore ≤ φ65)	MA-MB-MC-MD	418	338	275	□220	80	122
	NA-NC	418	338	275	□250	80	122
	NB-ND	448	338	305	□250	110	152
	PA	438	338	295	□280	100	142
	PB	448	338	305	□280	110	152
	QA-QB	438	338	295	□320	100	142

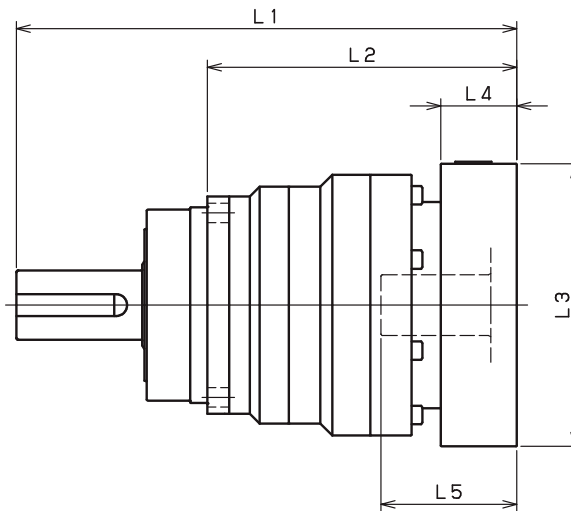
*1) Single reduction : 1/3~ 1/10

*2) Bushing will be inserted to adapt to motor shaft

For an explanation on the Adapter Flange Code, please turn to page 422.

A more comprehensive adapter flange offering can be found using the NIDEC-SHIMPO Online Selector Tool. The variety is constantly expanding and being updated on the Selector Tool. If you have any questions or need any support, contact NIDEC-SHIMPO.

VRS-210 – 2-Stage Adapter Dimensions



VRS

Model number	**: Adapter code	2-Stage					
		L1	L*	L2	L3	L4	L5
VRS-210-□-□-38** (Input shaft bore ≤ φ38)	HA	413	368	270	□130	45	82
	HB-HE	408	368	265	□130	40	77
	JA	413	368	270	□150	45	82
	KA-KB-KC	413	368	270	□180	45	82
	KD	448	368	305	□180	80	117
	KE	428	368	285	□180	60	97
	LA	413	368	270	□200	45	82
	LB	423	368	280	□200	55	92
	MA-MB	413	368	270	□220	45	82
	MC	428	368	285	□220	60	97
	MD	423	368	280	□220	55	92
NA	413	368	270	□250	45	82	
VRS-210-□-□-48** (Input shaft bore ≤ φ48)	KA	449	374	306	□180	75	118
	KB-KC	429	374	286	□180	55	98
	LA	429	374	286	□200	55	98
	MA	429	374	286	□220	55	98
	MB	449	374	306	□220	75	118
	NA	449	374	306	□250	75	118
	PA	449	374	306	□280	75	118
VRS-210-□-□-65** (Input shaft bore ≤ φ65)	MA-MB-MC-MD	--	--	--	--	--	--
	NA-NC	--	--	--	--	--	--
	NB-ND	--	--	--	--	--	--
	PA	--	--	--	--	--	--
	PB	--	--	--	--	--	--
	QA-QB	--	--	--	--	--	--

*1) Double reduction : 1/15~ 1/100

*2) Bushing will be inserted to adapt to motor shaft

For an explanation on the Adapter Flange Code, please turn to page 422.

A more comprehensive adapter flange offering can be found using the NIDEC-SHIMPO Online Selector Tool. The variety is constantly expanding and being updated on the Selector Tool. If you have any questions or need any support, contact NIDEC-SHIMPO.