

STR SERIES Hollow Rotary Index Tables

STR o8oE 1-Stage and 2-Stage Specifications with EVB o6o

Frame Size	080E									
Stage			1-Stage	2-Stage						
Ratio	Units	Notes	20	60	80	100	120	140	160	180
Nominal Torque	[Nm]	*1	113	113	113	113	113	113	113	113
Acceleration Torque	[Nm]	--	202	202	202	202	202	202	202	202
No Load Torque	[Nm]	*1	1.3	0.4	0.4	0.4	0.4	0.4	0.4	0.4
Nominal Input Speed	[rpm]	*2	700	2100	2800	3000	3000	3000	3000	3000
Maximum Input Speed	[rpm]	*2	2500	6000	6000	6000	6000	6000	6000	6000
Reflected Inertia (Single)	[kg-m ² x10 ⁻⁴]	*3	3.066	--	--	--	--	--	--	--
Reflected Inertia (≤Ø 8)	[kg-m ² x10 ⁻⁴]	*3	--	0.319	0.274	0.256	0.247	0.242	0.238	0.236
Reflected Inertia (≤Ø 14)	[kg-m ² x10 ⁻⁴]	*3	--	0.394	0.349	0.331	0.322	0.317	0.313	0.311
Reflected Inertia (≤Ø 19)	[kg-m ² x10 ⁻⁴]	*3	--	0.583	0.538	0.521	0.512	0.506	0.503	0.501
Backlash	[arc-min]	--	0	0	0	0	0	0	0	0
Angular Transmission Accuracy	[arc-min]	--	≤ 0.7	≤ 0.7						
Angular Repeatability Accuracy	[arc-min]	--	± 0.08	± 0.08						
Surface Runout	[µm (max)]	--	10	10	10	10	10	10	10	10
Weight	[kg]	--	11.6	13.4	13.4	13.4	13.4	13.4	13.4	13.4
Maximum Axial Load	[N]	--	3302	3302	3302	3302	3302	3302	3302	3302
Maximum Radial Load	[N]	--	2819	2819	2819	2819	2819	2819	2819	2819
Maximum Tilting Moment Load	[Nm]	--	210	210	210	210	210	210	210	210
Efficiency	[%]	--	80	72	72	72	72	72	72	72
Protection Class	--	*4	IP54 (IP65)							

*1) At nominal input speed

*2) Speeds are at the actuator input. Limits when used with additional gearbox are higher

*3) At input shaft

*4) IP65 (wash-down) is available as an option. Contact NIDEC-SHIMPO for more details and our food grade options

STR o8oE 2-Stage and 3-Stage Specifications with EVB o6o

Frame Size	080E									
Stage			2-Stage	3-Stage						
Ratio	Units	Notes	200	300	320	400	500	560	600	700
Nominal Torque	[Nm]	*1	113	113	113	113	113	113	113	113
Acceleration Torque	[Nm]	--	202	202	202	202	202	202	202	202
No Load Torque	[Nm]	*1	0.4	0.3	0.3	0.3	0.3	0.3	0.3	0.3
Nominal Input Speed	[rpm]	*2	3000	3000	3000	3000	3000	3000	3000	3000
Maximum Input Speed	[rpm]	*2	6000	6000	6000	6000	6000	6000	6000	6000
Reflected Inertia (Single)	[kg-m ² x10 ⁻⁴]	*3	--	--	--	--	--	--	--	--
Reflected Inertia (≤Ø 8)	[kg-m ² x10 ⁻⁴]	*3	0.235	0.081	0.087	0.079	0.079	0.085	0.070	0.078
Reflected Inertia (≤Ø 14)	[kg-m ² x10 ⁻⁴]	*3	0.310	0.126	0.132	0.124	0.123	0.130	0.114	0.123
Reflected Inertia (≤Ø 19)	[kg-m ² x10 ⁻⁴]	*3	0.499	--	--	--	--	--	--	--
Backlash	[arc-min]	--	0	0	0	0	0	0	0	0
Angular Transmission Accuracy	[arc-min]	--	≤ 0.7	≤ 0.7						
Angular Repeatability Accuracy	[arc-min]	--	± 0.08	± 0.08						
Surface Runout	[µm (max)]	--	10	10	10	10	10	10	10	10
Weight	[kg]	--	13.4	13.2	13.2	13.2	13.2	13.2	13.2	13.2
Maximum Axial Load	[N]	--	3302	3302	3302	3302	3302	3302	3302	3302
Maximum Radial Load	[N]	--	2819	2819	2819	2819	2819	2819	2819	2819
Maximum Tilting Moment Load	[Nm]	--	210	210	210	210	210	210	210	210
Efficiency	[%]	--	72	68	68	68	68	68	68	68
Protection Class	--	*4	IP54 (IP65)							

*1) At nominal input speed

*2) Speeds are at the actuator input. Limits when used with additional gearbox are higher

*3) At input shaft

*4) IP65 (wash-down) is available as an option. Contact NIDEC-SHIMPO for more details and our food grade options

STR o8oE 3-Stage Specifications with EVB o6o

Frame Size	080E									
Stage	3-Stage									
Ratio	Units	Notes	800	900	1000	1200	1400	1600	1800	2000
Nominal Torque	[Nm]	*1	113	113	113	113	113	113	113	113
Acceleration Torque	[Nm]	--	202	202	202	202	202	202	202	202
No Load Torque	[Nm]	*1	0.3	0.3	0.3	0.3	0.3	0.3	0.3	0.3
Nominal Input Speed	[rpm]	*2	3000	3000	3000	3000	3000	3000	3000	3000
Maximum Input Speed	[rpm]	*2	6000	6000	6000	6000	6000	6000	6000	6000
Reflected Inertia (Single)	[kg·m ² ×10 ⁻⁴]	*3	--	--	--	--	--	--	--	--
Reflected Inertia (≤Ø 8)	[kg·m ² ×10 ⁻⁴]	*3	0.069	0.078	0.069	0.069	0.069	0.069	0.069	0.069
Reflected Inertia (≤Ø 14)	[kg·m ² ×10 ⁻⁴]	*3	0.114	0.123	0.114	0.114	0.113	0.113	0.113	0.113
Reflected Inertia (≤Ø 19)	[kg·m ² ×10 ⁻⁴]	*3	--	--	--	--	--	--	--	--
Backlash	[arc-min]	--	0	0	0	0	0	0	0	0
Angular Transmission Accuracy	[arc-min]	--	≤ 0.7							
Angular Repeatability Accuracy	[arc-min]	--	± 0.08							
Surface Runout	[µm (max)]	--	10	10	10	10	10	10	10	10
Weight	[kg]	--	13.2	13.2	13.2	13.2	13.2	13.2	13.2	13.2
Maximum Axial Load	[N]	--	3302	3302	3302	3302	3302	3302	3302	3302
Maximum Radial Load	[N]	--	2819	2819	2819	2819	2819	2819	2819	2819
Maximum Tilting Moment Load	[Nm]	--	210	210	210	210	210	210	210	210
Efficiency	[%]	--	68	68	68	68	68	68	68	68
Protection Class	--	*4	IP54 (IP65)							

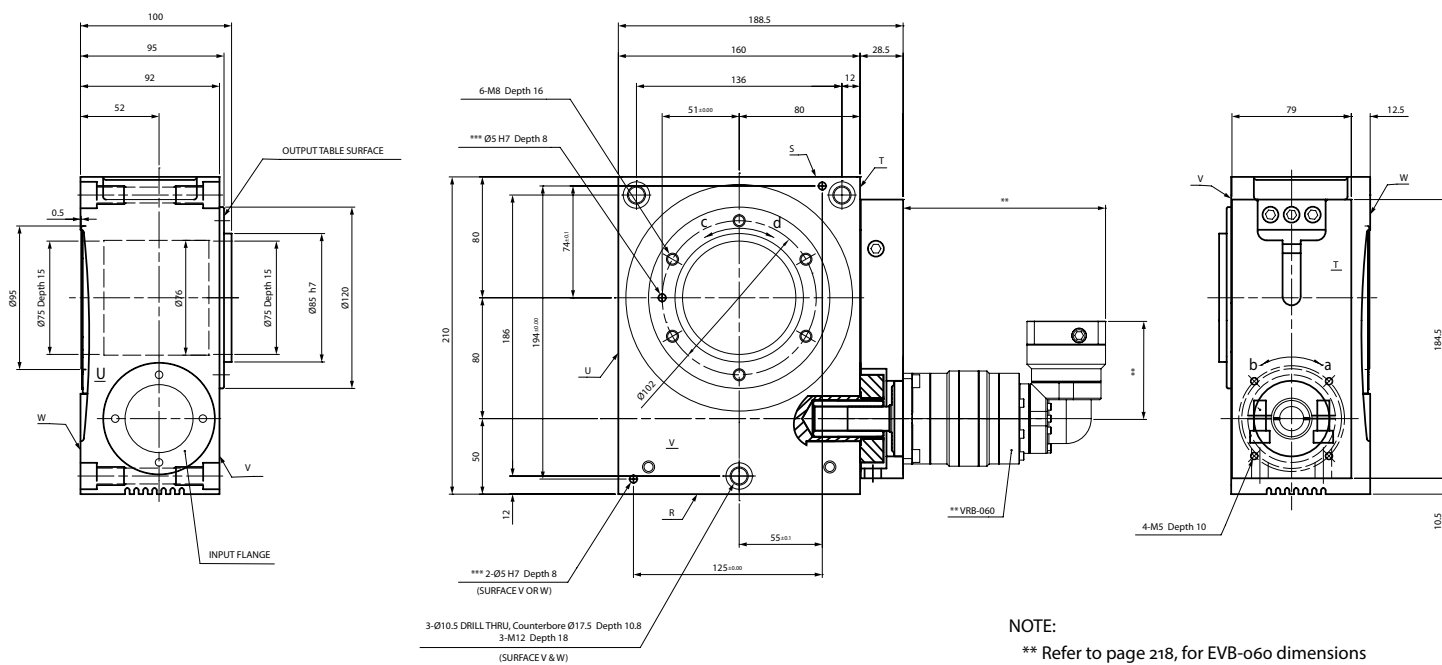
*1) At nominal input speed

*2) Speeds are at the actuator input. Limits when used with additional gearbox are higher

*3) At input shaft

*4) IP65 (wash-down) is available as an option. Contact NIDEC-SHIMPO for more details and our food grade options

STR o8oE Dimensions with EVB o6o



NOTE:

** Refer to page 218, for EVB-o6o dimensions

*** Optional

ROTATION:

a=d

a=c (upon special request)