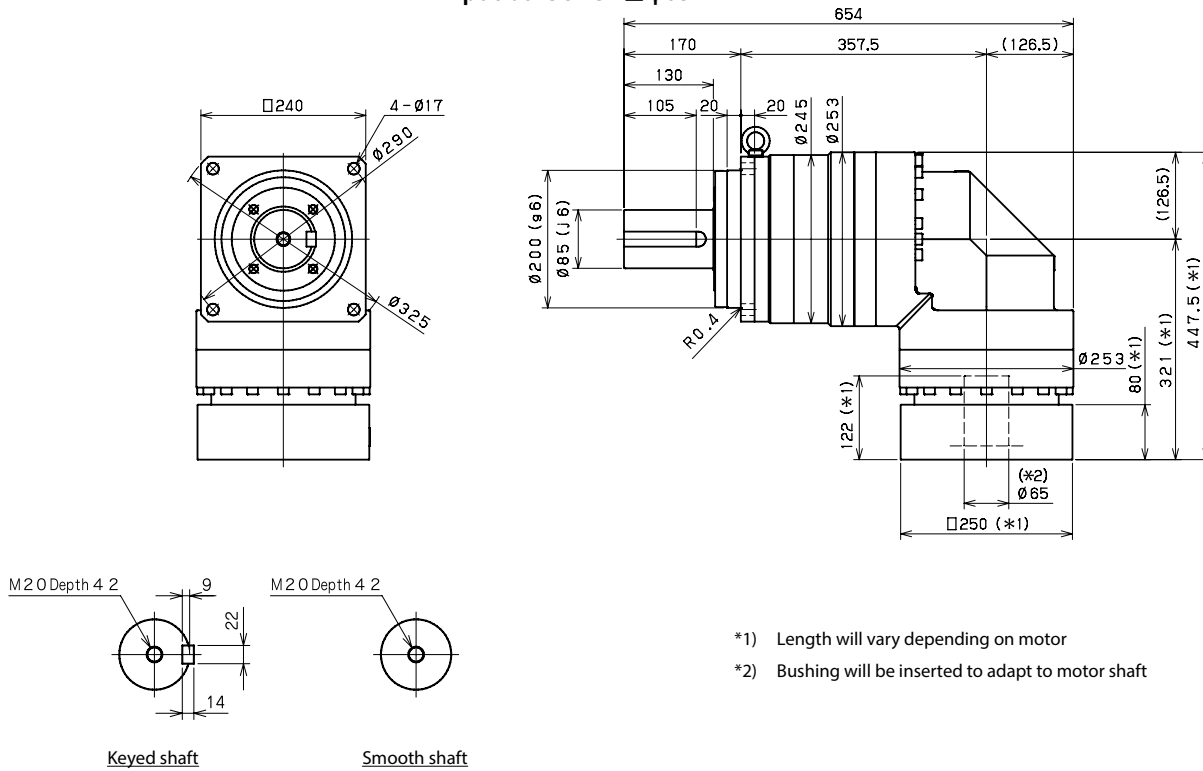


EVS SERIES Right-angle Planetary

EVS 240 2-Stage Dimensions

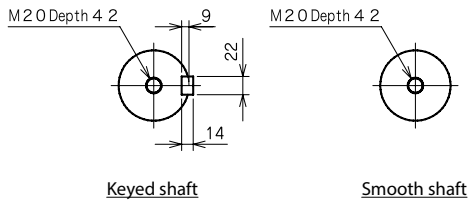
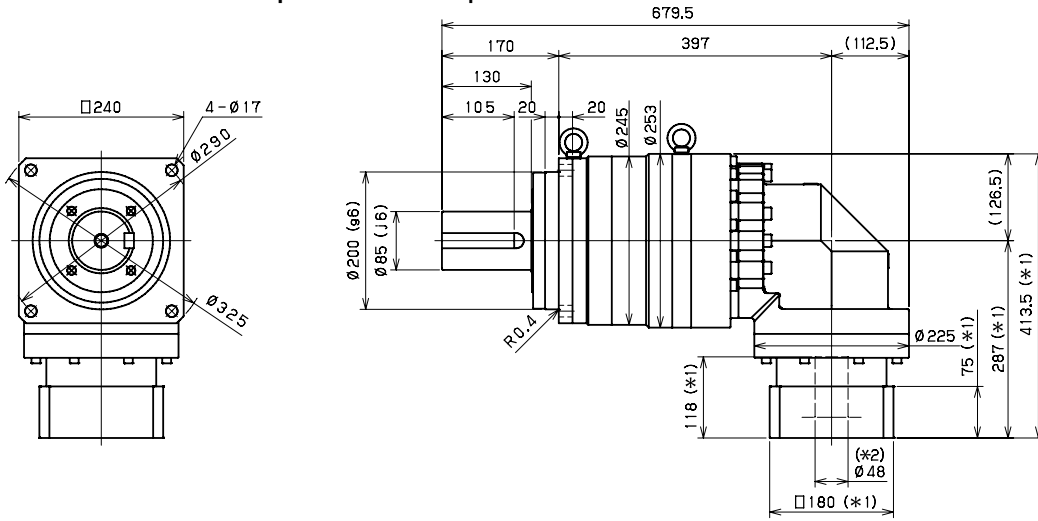
Input bore size $\leq \phi 65$ mm



- *1) Length will vary depending on motor
- *2) Bushing will be inserted to adapt to motor shaft

EVS 240 3-Stage Dimensions

Input bore size $\leq \phi 48$ mm



- *1) Length will vary depending on motor
- *2) Bushing will be inserted to adapt to motor shaft