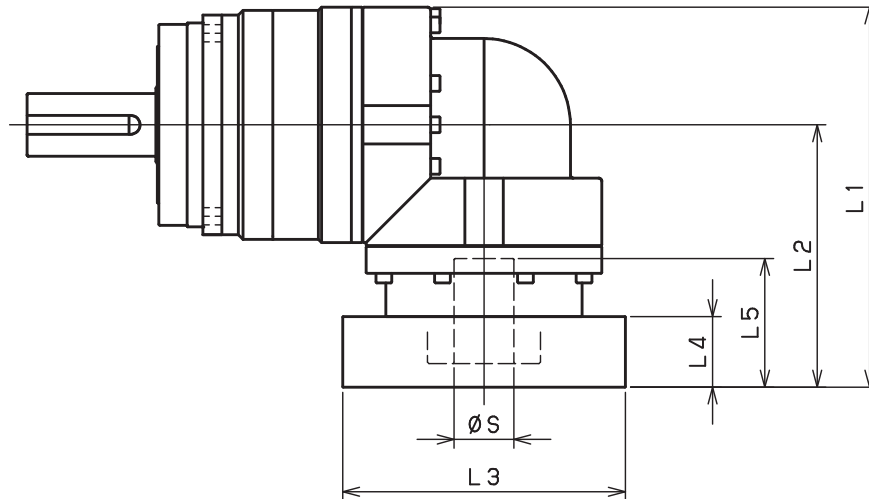


EVS-240 – 2-Stage Adapter Dimensions



Model number	**: Adapter code	2-Stage				
		L1	L2	L3	L4	L5
EVS-240-□-□-48** (S ≤ 48)	KA	--	--	--	--	--
	KB-KC	--	--	--	--	--
	LA	--	--	--	--	--
	MA	--	--	--	--	--
	MB	--	--	--	--	--
	NA	--	--	--	--	--
	PA	--	--	--	--	--
EVS-240-□-□-65** (48 < S ≤ 65)	MA-MB-MC-MD	447.5	321	□220	80	122
	NA-NC	447.5	321	□250	80	122
	NB-ND	477.5	351	□250	110	152
	PA	467.5	341	□280	100	142
	PB	477.5	351	□280	110	152
	QA-QB	467.5	341	□320	100	142

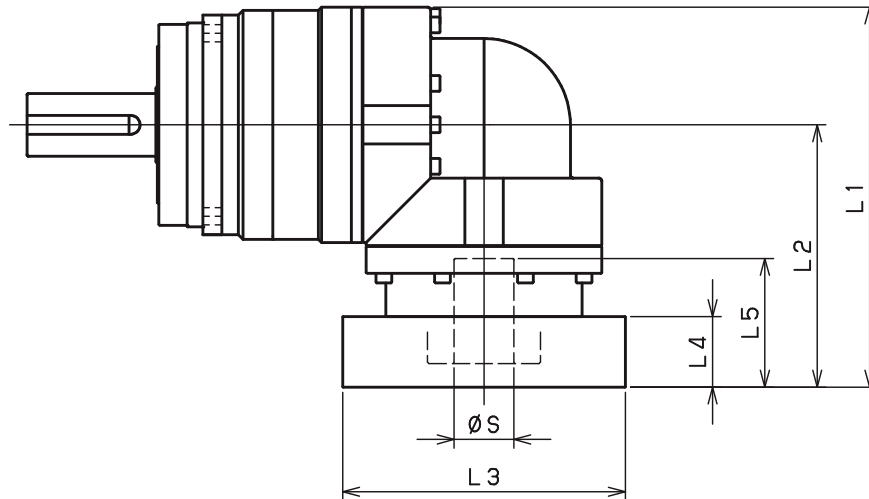
*1) Double reduction : 1/3~ 1/10

*2) Bushing will be inserted to adapt to motor shaft

For an explanation on the Adapter Flange Code, please turn to page 422.

A more comprehensive adapter flange offering can be found using the NIDEC-SHIMPO Online Selector Tool. The variety is constantly expanding and being updated on the Selector Tool. If you have any questions or need any support, contact NIDEC-SHIMPO.

EVS-240 – 3-Stage Adapter Dimensions



Model number	**: Adapter code	3-Stage				
		L1	L2	L3	L4	L5
EVS-240-□-□-48** (S ≤ 48)	KA	413.5	287	□180	75	118
	KB-KC	393.5	267	□180	55	98
	LA	393.5	267	□200	55	98
	MA	393.5	267	□220	55	98
	MB	413.5	287	□220	75	118
	NA	413.5	287	□250	75	118
	PA	413.5	287	□280	75	118
EVS-240-□-□-65** (48 < S ≤ 65)	MA-MB-MC-MD	--	--	--	--	--
	NA-NC	--	--	--	--	--
	NB-ND	--	--	--	--	--
	PA	--	--	--	--	--
	PB	--	--	--	--	--
	QA-QB	--	--	--	--	--

*1) Triple reduction : 1/15~ 1/100

*2) Bushing will be inserted to adapt to motor shaft

For an explanation on the Adapter Flange Code, please turn to page 422.

A more comprehensive adapter flange offering can be found using the NIDEC-SHIMPO Online Selector Tool. The variety is constantly expanding and being updated on the Selector Tool. If you have any questions or need any support, contact NIDEC-SHIMPO.