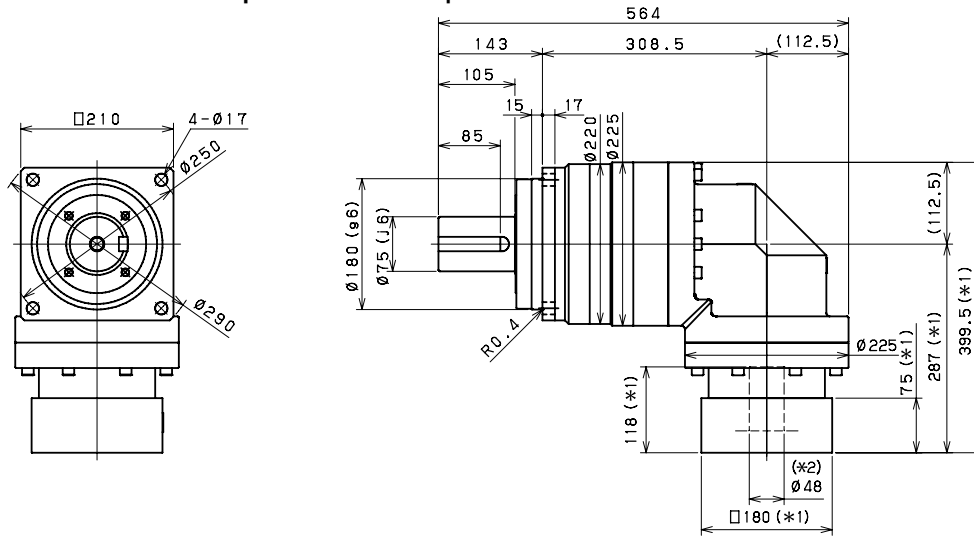


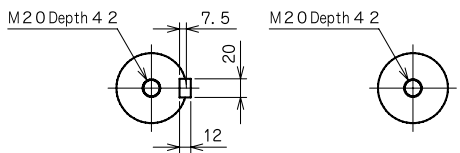
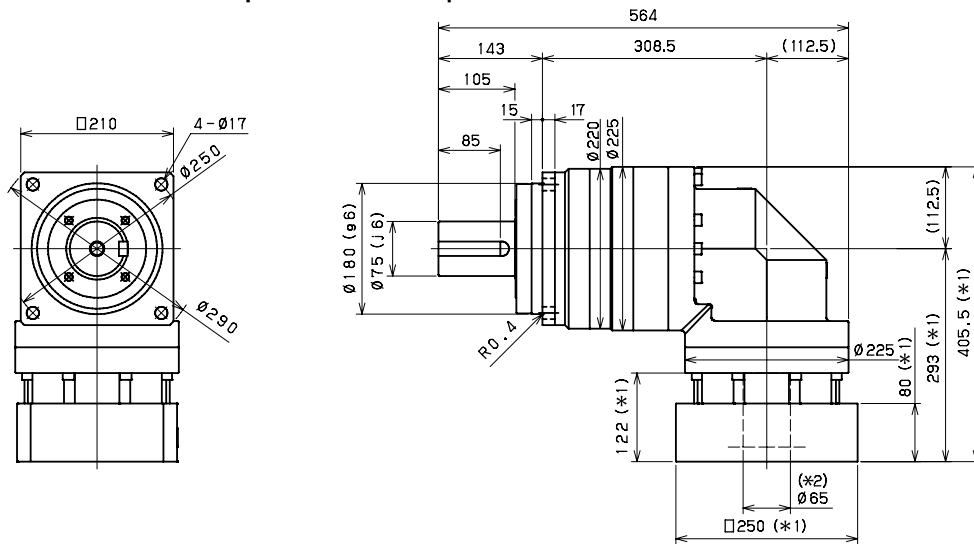
EVS SERIES Right-angle Planetary

EVS 210 2-Stage Dimensions

Input bore size $\leq \phi 48$ mm



Input bore size $\leq \phi 65$ mm



Keyed shaft

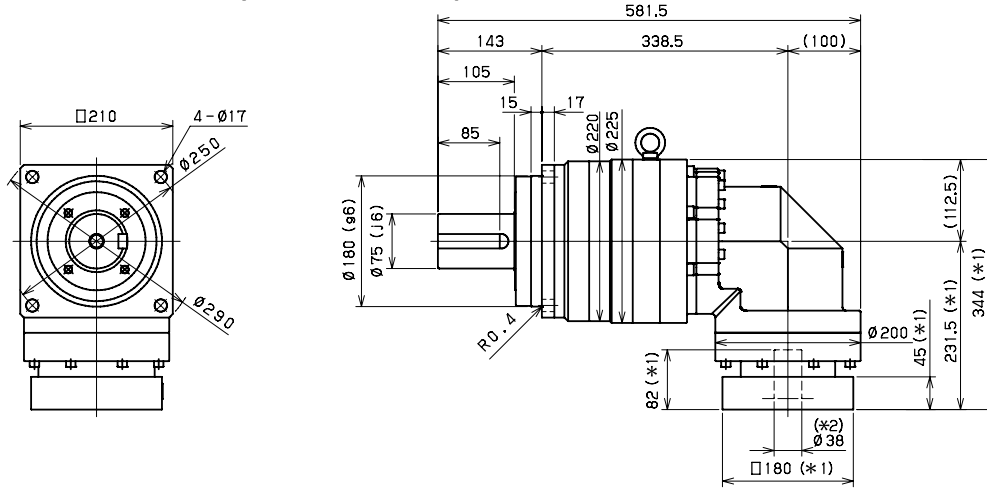
Smooth shaft

*1) Length will vary depending on motor

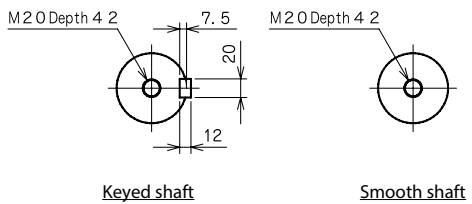
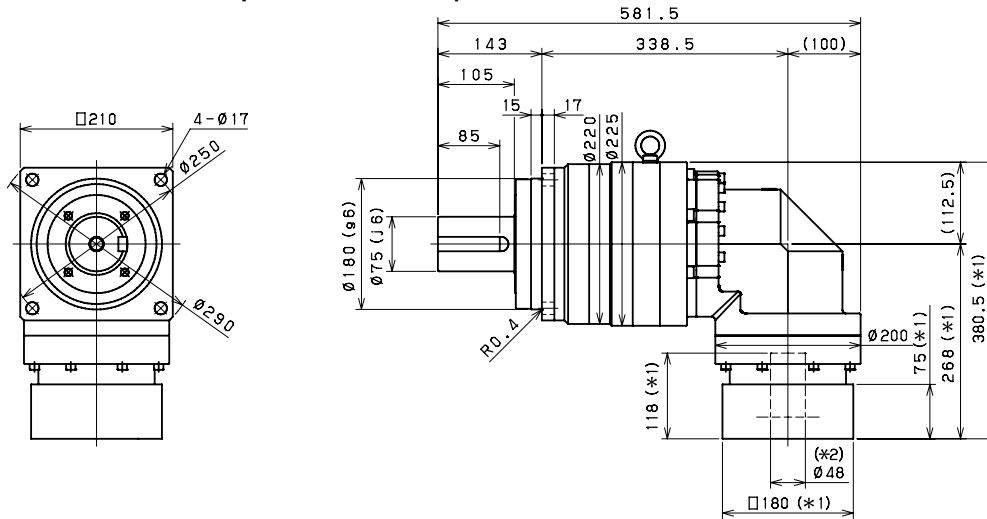
*2) Bushing will be inserted to adapt to motor shaft

EVS 210 3-Stage Dimensions

Input bore size $\leq \phi 38$ mm



Input bore size $\leq \phi 48$ mm



- *1) Length will vary depending on motor
- *2) Bushing will be inserted to adapt to motor shaft