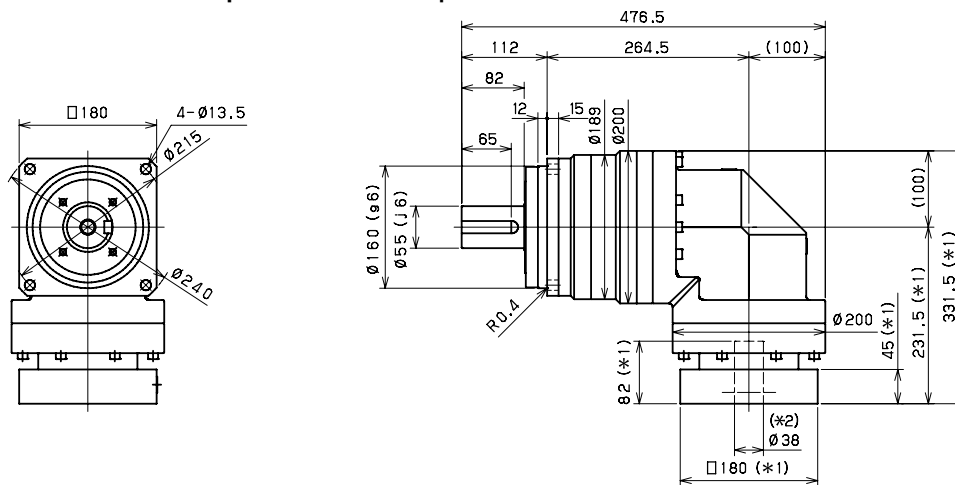


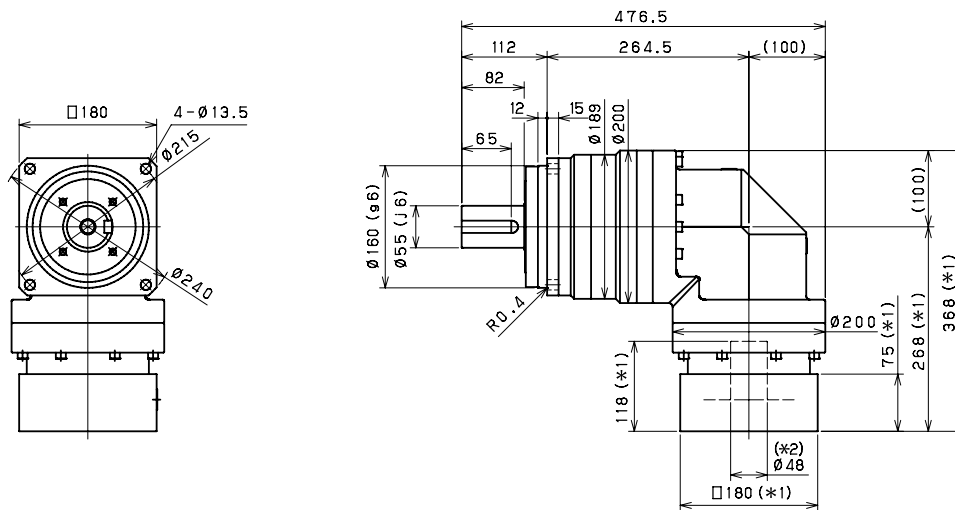
EVS SERIES Right-angle Planetary

EVS 180 2-Stage Dimensions

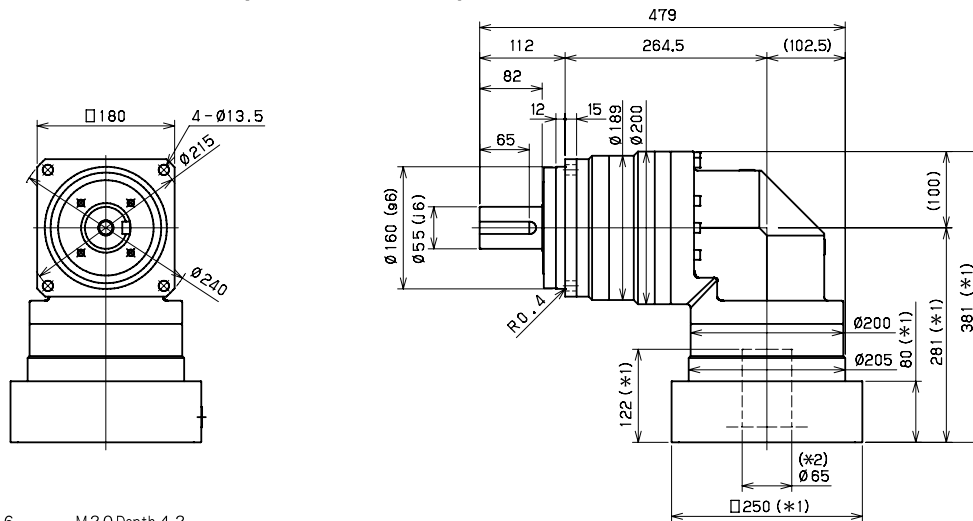
Input bore size $\cong \varnothing 38$ mm



Input bore size $\cong \varnothing 48$ mm



Input bore size $\cong \varnothing 65$ mm



*1) Length will vary depending on motor

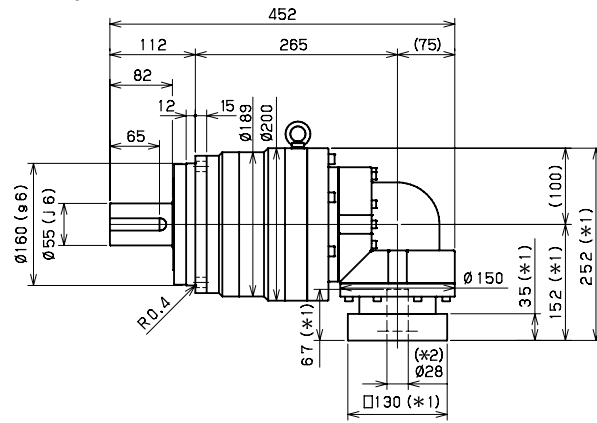
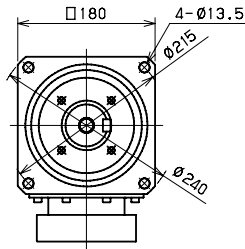
*2) Bushing will be inserted to adapt to motor shaft

Keyed shaft

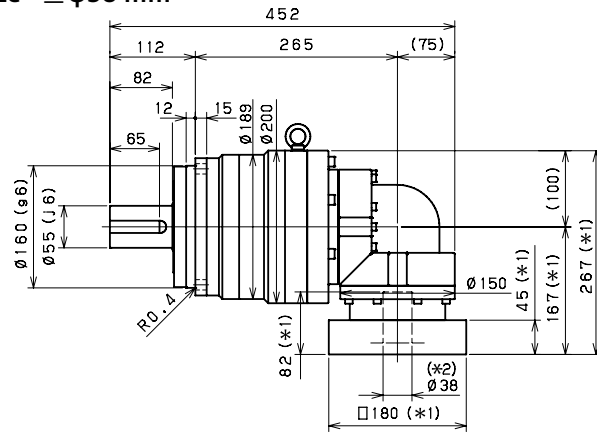
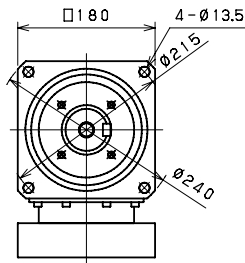
Smooth shaft

EVS 180 3-Stage Dimensions

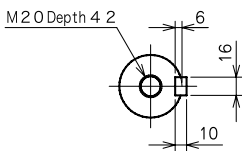
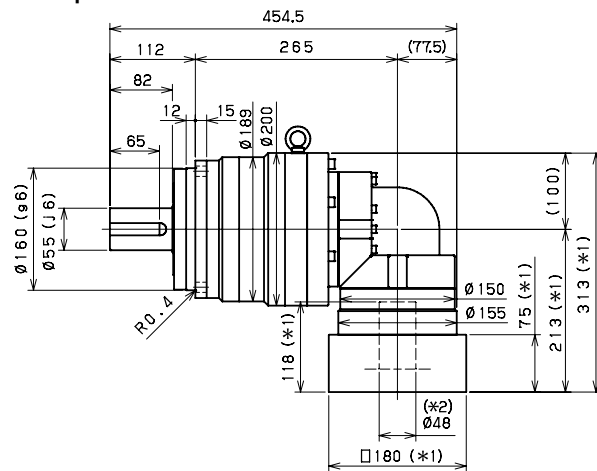
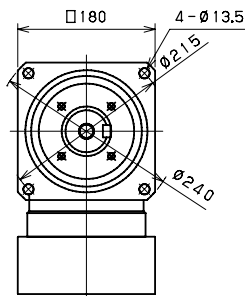
Input bore size $\leq \phi 28$ mm



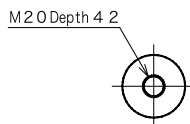
Input bore size $\leq \phi 38$ mm



Input bore size $\leq \phi 48$ mm



Keyed shaft



Smooth shaft

*1) Length will vary depending on motor

*2) Bushing will be inserted to adapt to motor shaft