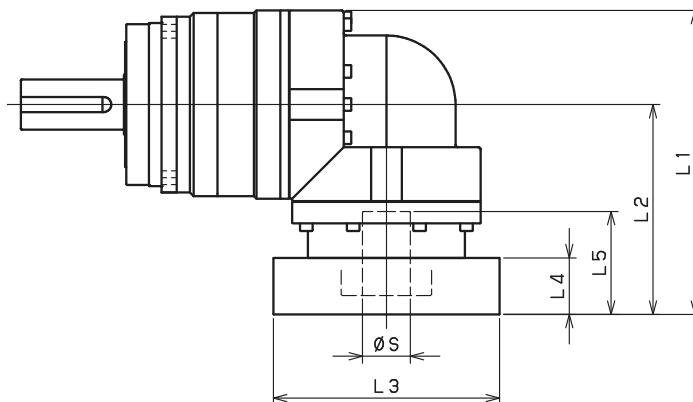


EVS-SERIES Right-angle shaft

EVS-180 – 2-Stage Adapter Dimensions



| Model number | **: Adapter code | 2-Stage | | | | |
|-----------------------------------|-------------------------|---------|-------|------|-----|-----|
| | | L1 | L2 | L3 | L4 | L5 |
| EVS-180-□-□-28** (S ≤ 28) | FA•FB•FC | -- | -- | -- | -- | -- |
| | GA•GB•GC•GD•GE•GF•GG•GH | -- | -- | -- | -- | -- |
| | HA•HC•HD | -- | -- | -- | -- | -- |
| | HB | -- | -- | -- | -- | -- |
| | HF | -- | -- | -- | -- | -- |
| | JA•JB•JC•JF | -- | -- | -- | -- | -- |
| | KA•KB•KE | -- | -- | -- | -- | -- |
| | LA | -- | -- | -- | -- | -- |
| | LB | -- | -- | -- | -- | -- |
| | MA | -- | -- | -- | -- | -- |
| EVS-180-□-□-38** (28 < S ≤ 38) | HA | 331.5 | 231.5 | □130 | 45 | 82 |
| | HB•HE | 326.5 | 226.5 | □130 | 40 | 77 |
| | JA | 331.5 | 231.5 | □150 | 45 | 82 |
| | KA•KB•KC | 331.5 | 231.5 | □180 | 45 | 82 |
| | KD | 366.5 | 266.5 | □180 | 80 | 117 |
| | KE | 346.5 | 246.5 | □180 | 60 | 97 |
| | LB | 341.5 | 241.5 | □200 | 55 | 92 |
| | MA•MB | 331.5 | 231.5 | □220 | 45 | 82 |
| | MC | 346.5 | 246.5 | □220 | 60 | 97 |
| | MD | 341.5 | 241.5 | □220 | 55 | 92 |
| NA | 331.5 | 231.5 | □250 | 45 | 82 | |
| EVS-180-□-□-48** (38 < S ≤ 48) | KA | 368 | 268 | □180 | 75 | 118 |
| | KB•KC | 348 | 248 | □180 | 55 | 98 |
| | LA | 348 | 248 | □200 | 55 | 98 |
| | MA | 348 | 248 | □220 | 55 | 98 |
| | MB | 368 | 268 | □220 | 75 | 118 |
| | NA | 368 | 268 | □250 | 75 | 118 |
| | PA | 368 | 268 | □280 | 75 | 118 |
| EVS-180-□-□-65** (48 < S ≤ 65) | MA•MB•MC•MD | 381 | 281 | □220 | 80 | 122 |
| | NA•NC | 381 | 281 | □250 | 80 | 122 |
| | NB•ND | 411 | 311 | □250 | 110 | 152 |
| | PA | 401 | 301 | □280 | 100 | 142 |
| | PB | 411 | 311 | □280 | 110 | 152 |

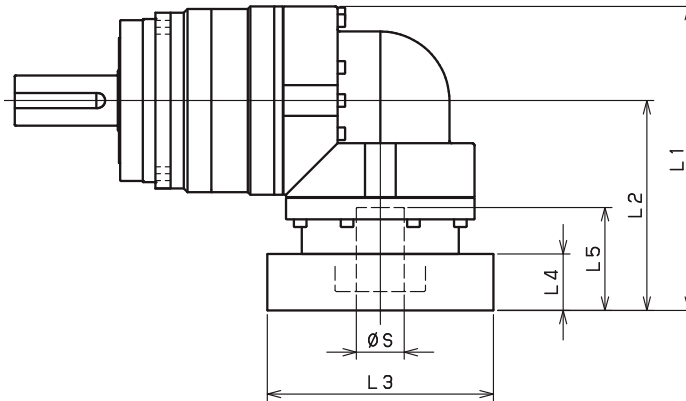
*1) Double reduction : 1/3~ 1/10

*2) Bushing will be inserted to adapt to motor shaft

For an explanation on the Adapter Flange Code, please turn to page 422.

A more comprehensive adapter flange offering can be found using the NIDEC-SHIMPO Online Selector Tool. The variety is constantly expanding and being updated on the Selector Tool. If you have any questions or need any support, contact NIDEC-SHIMPO.

EVS-180 – 3-Stage Adapter Dimensions



| Model number | **: Adapter code | 3-Stage | | | | |
|-----------------------------------|-------------------------|---------|------|------|----|-----|
| | | L1 | L2 | L3 | L4 | L5 |
| EVS-180-□-□-28** (S ≤ 28) | FA•FB•FC | 252 | 152 | □100 | 35 | 67 |
| | GA•GB•GC•GD•GE•GF•GG•GH | 252 | 152 | □115 | 35 | 67 |
| | HA•HC•HD | 252 | 152 | □130 | 35 | 67 |
| | HB | 262 | 162 | □130 | 45 | 77 |
| | HF | 247 | 147 | □130 | 30 | 62 |
| | JA•JB•JC•JF | 252 | 152 | □150 | 35 | 67 |
| | KA•KB•KE | 252 | 152 | □180 | 35 | 67 |
| | LA | 252 | 152 | □200 | 35 | 67 |
| | LB | 262 | 162 | □200 | 45 | 77 |
| | MA | 252 | 152 | □220 | 35 | 67 |
| | MB | 262 | 162 | □220 | 45 | 77 |
| EVS-180-□-□-38** (28 < S ≤ 38) | HA | 267 | 167 | □130 | 45 | 82 |
| | HB•HE | 262 | 162 | □130 | 40 | 77 |
| | JA | 267 | 167 | □150 | 45 | 82 |
| | KA•KB•KC | 267 | 167 | □180 | 45 | 82 |
| | KD | 302 | 202 | □180 | 80 | 117 |
| | KE | 282 | 182 | □180 | 60 | 97 |
| | LB | 277 | 177 | □200 | 55 | 92 |
| | MA•MB | 267 | 167 | □220 | 45 | 82 |
| | MC | 282 | 182 | □220 | 60 | 97 |
| | MD | 277 | 177 | □220 | 55 | 92 |
| NA | 267 | 167 | □250 | 45 | 82 | |
| EVS-180-□-□-48** (38 < S ≤ 48) | KA | 313 | 213 | □180 | 75 | 118 |
| | KB•KC | 293 | 193 | □180 | 55 | 98 |
| | LA | 293 | 193 | □200 | 55 | 98 |
| | MA | 293 | 193 | □220 | 55 | 98 |
| | MB | 313 | 213 | □220 | 75 | 118 |
| | NA | 313 | 213 | □250 | 75 | 118 |
| | PA | 313 | 213 | □280 | 75 | 118 |
| EVS-180-□-□-65** (48 < S ≤ 65) | MA•MB•MC•MD | -- | -- | -- | -- | -- |
| | NA•NC | -- | -- | -- | -- | -- |
| | NB•ND | -- | -- | -- | -- | -- |
| | PA | -- | -- | -- | -- | -- |
| | PB | -- | -- | -- | -- | -- |

*1) Triple reduction : 1/15~ 1/100

*2) Bushing will be inserted to adapt to motor shaft

For an explanation on the Adapter Flange Code, please turn to page 422.

A more comprehensive adapter flange offering can be found using the NIDEC-SHIMPO Online Selector Tool. The variety is constantly expanding and being updated on the Selector Tool. If you have any questions or need any support, contact NIDEC-SHIMPO.