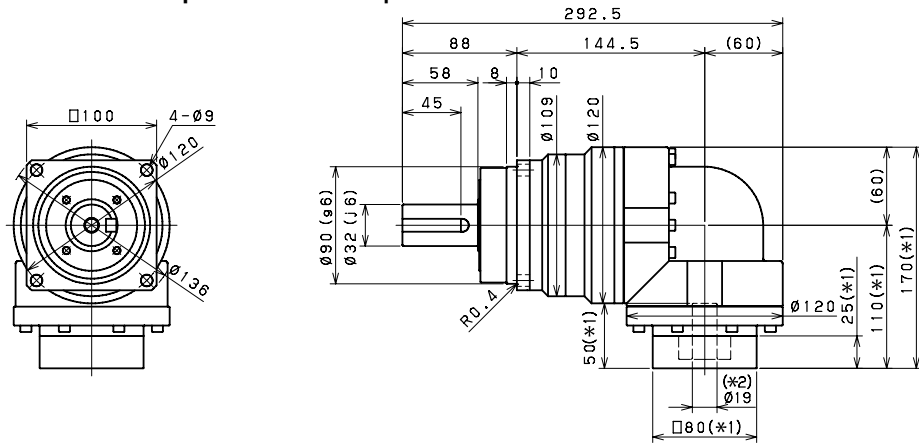


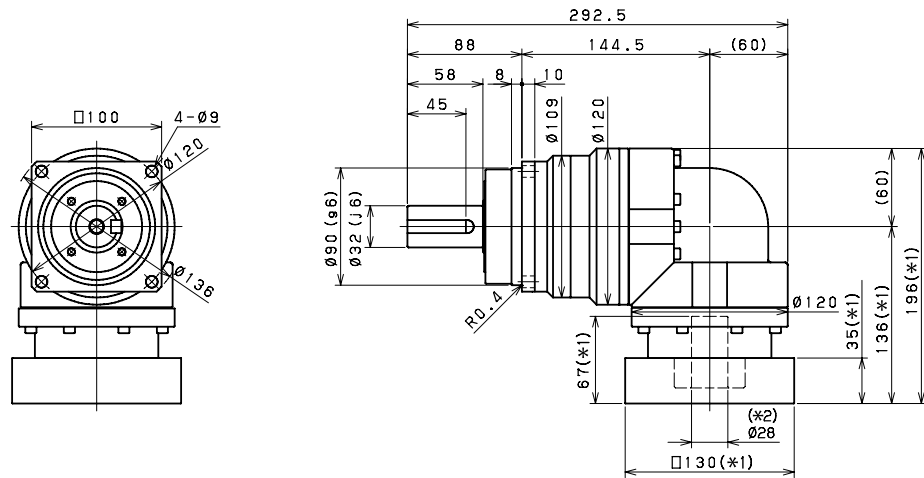
EVS SERIES Right-angle Planetary

EVS 100 2-Stage Dimensions

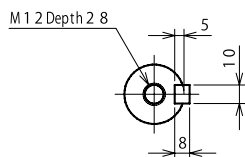
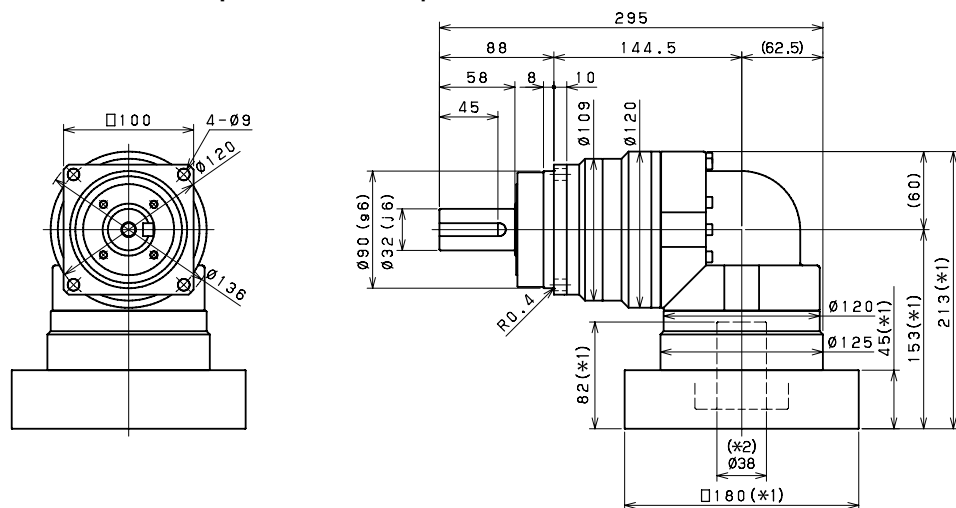
Input bore size $\leq \phi 19$ mm



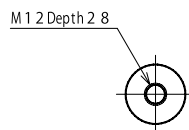
Input bore size $\leq \phi 28$ mm



Input bore size $\leq \phi 38$ mm



Keyed shaft



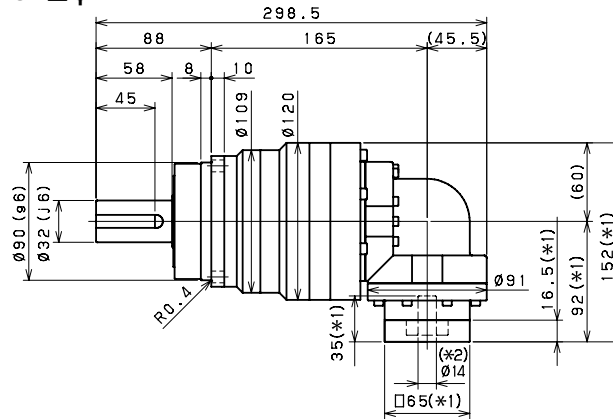
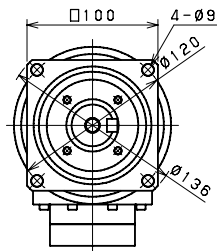
Smooth shaft

*1) Length will vary depending on motor

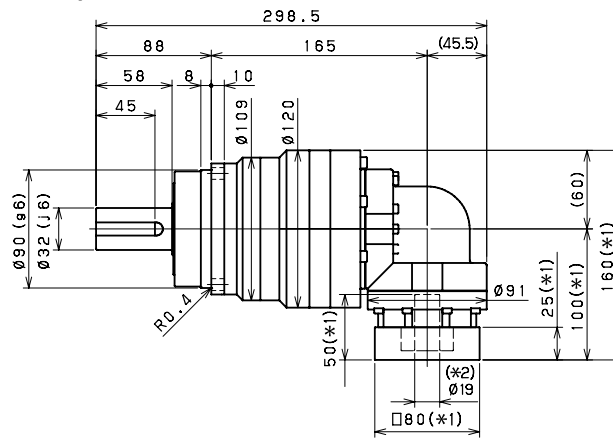
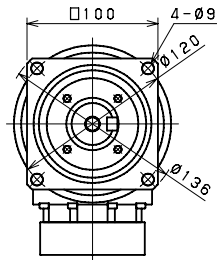
*2) Bushing will be inserted to adapt to motor shaft

EVS 100 3-Stage Dimensions

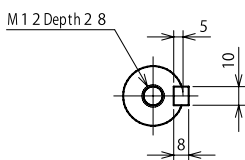
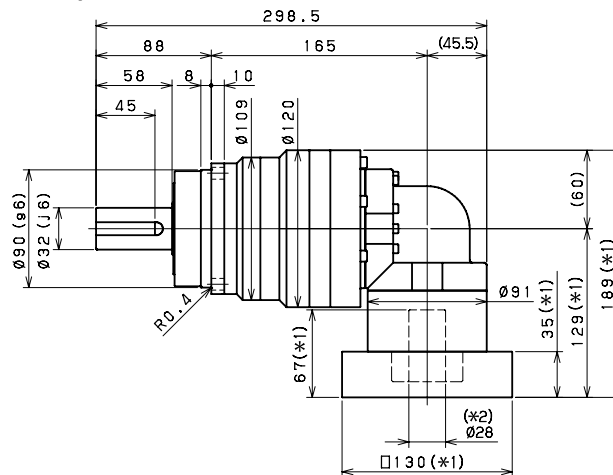
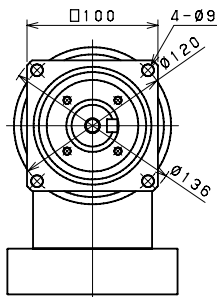
Input bore size $\cong \phi 14$ mm



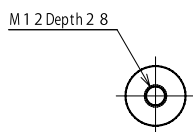
Input bore size $\cong \phi 19$ mm



Input bore size $\cong \phi 28$ mm



Keyed shaft



Smooth shaft

*1) Length will vary depending on motor

*2) Bushing will be inserted to adapt to motor shaft