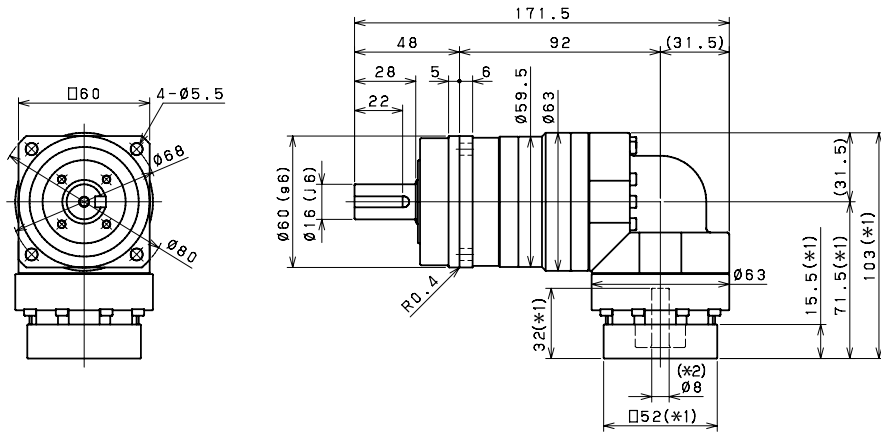


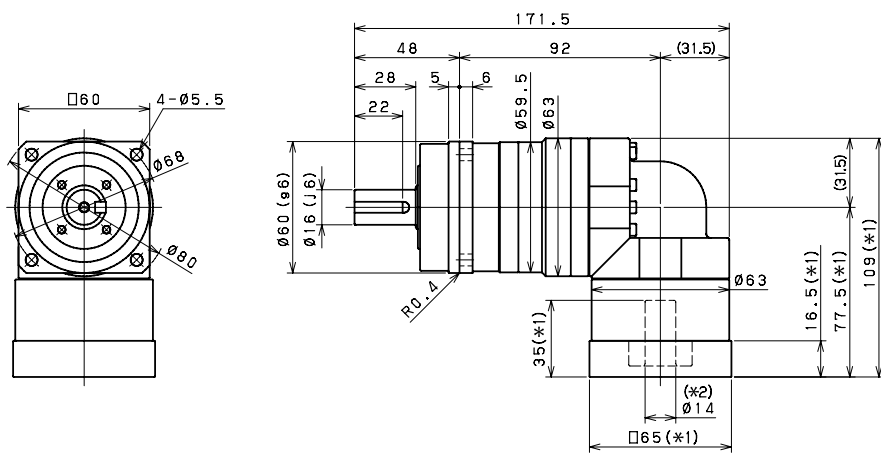
EVS SERIES Right-angle Planetary

EVS o60 2-Stage Dimensions

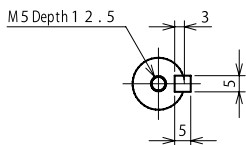
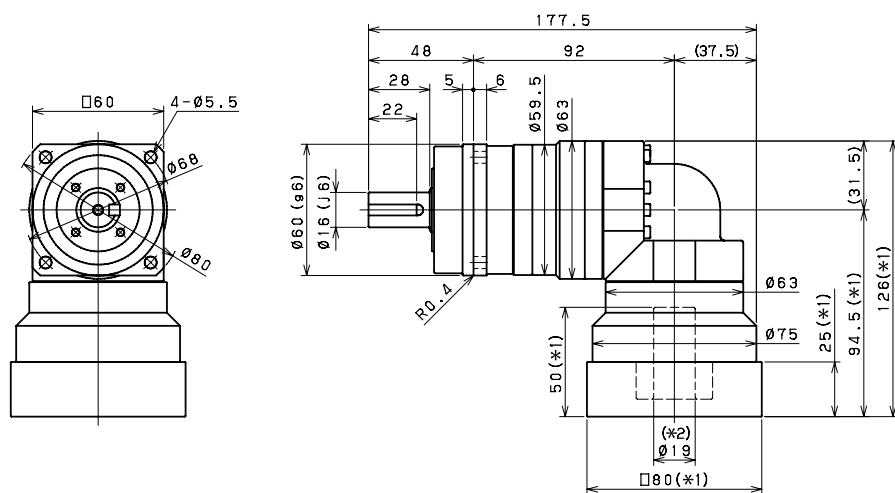
Input bore size $\leq \varnothing 8$ mm



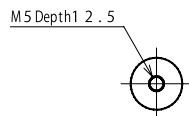
Input bore size $\leq \varnothing 14$ mm



Input bore size $\leq \varnothing 19$ mm



Keyed shaft



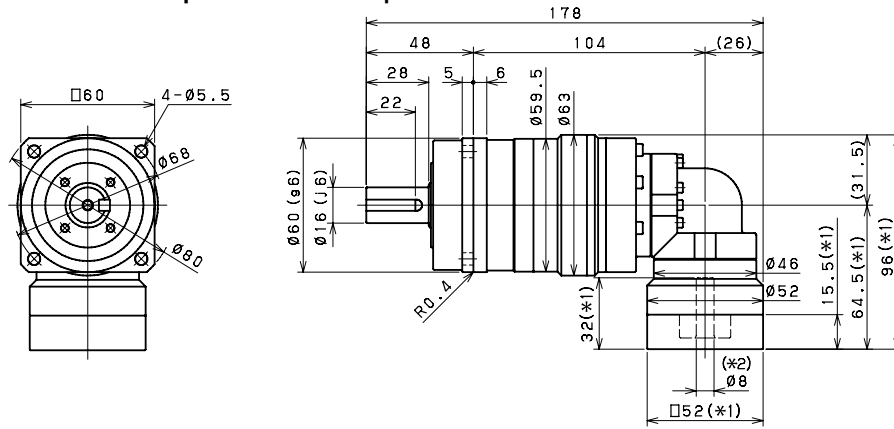
Smooth shaft

*1) Length will vary depending on motor

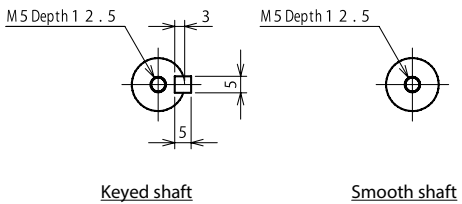
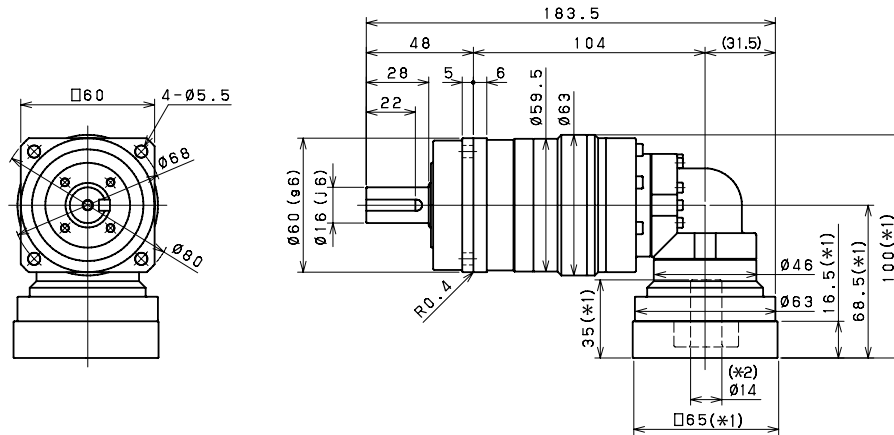
*2) Bushing will be inserted to adapt to motor shaft

EVS o6o 3-Stage Dimensions

Input bore size $\leq \phi 8$ mm



Input bore size $\leq \phi 14$ mm



Keyed shaft

Smooth shaft

- *1) Length will vary depending on motor
- *2) Bushing will be inserted to adapt to motor shaft