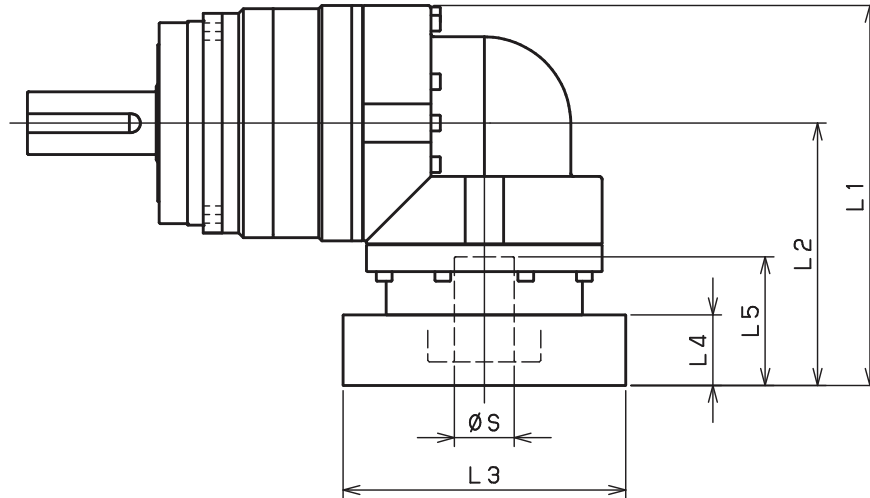


# EVS-SERIES Right-angle shaft

## EVS-o6o – 2-Stage Adapter Dimensions



Model number	**: Adapter code	2-Stage				
		L1	L2	L3	L4	L5
EVS-060-□-□-8** (S ≤ 8)	AA·AC·AD·AF·AG·AL·AM·AN·AQ	103	71.5	□52	15.5	32
	AB·AE·AH·AJ·AK	108	76.5	□52	20.5	37
	BA·BB·BD·BE·BG·BH·BJ	103	71.5	□60	15.5	32
	BC·BF	108	76.5	□60	20.5	37
	CA	108	76.5	□70	20.5	37
EVS-060-□-□-14** (8 < S ≤ 14)	BA·BB·BD·BE·BF·BG·BH·BJ·BK·BP	109	77.5	□65	16.5	35
	BC·BH·BM·BN	114	82.5	□65	21.5	40
	BL	119	87.5	□65	26.5	45
	CA·CC	109	77.5	□70	16.5	35
	CB	114	82.5	□70	21.5	40
	DA·DB·DC·DD·DF·DH·DJ	109	77.5	□80	16.5	35
	DE·DL	114	82.5	□80	21.5	40
	DG·DK	119	87.5	□80	26.5	45
	EA·EB·EC·EF·EG·EK·EL	109	77.5	□90	16.5	35
	EJ·EM	114	82.5	□90	21.5	40
	ED·EE·EH	119	87.5	□90	26.5	45
	FA	109	77.5	□100	16.5	35
	FB	119	87.5	□100	26.5	45
EVS-060-□-□-19** (14 < S ≤ 19)	DA·DB·DC	126	94.5	□80	25	50
	DD	136	104.5	□80	35	60
	DE	131	99.5	□80	30	55
	EA	131	99.5	□90	30	55
	EB·ED	126	94.5	□90	25	50
	EC	136	104.5	□90	35	60
	FA	126	94.5	□100	25	50
FB	136	104.5	□100	35	60	

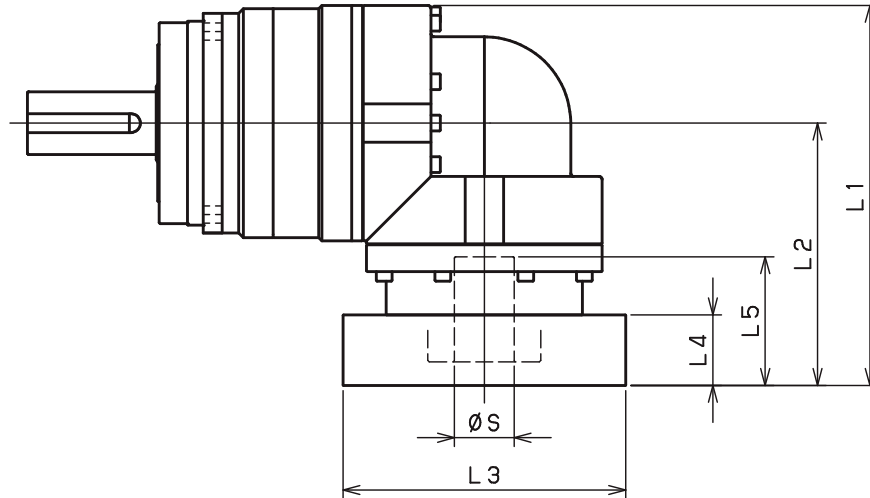
\*1) Double reduction : 1/3~ 1/10

\*2) Bushing will be inserted to adapt to motor shaft.

For an explanation on the Adapter Flange Code, please turn to page 422.

A more comprehensive adapter flange offering can be found using the NIDEC-SHIMPO Online Selector Tool. The variety is constantly expanding and being updated on the Selector Tool. If you have any questions or need any support, contact NIDEC-SHIMPO.

## EVS-o6o – 3-Stage Adapter Dimensions



Model number	**: Adapter code	3-Stage				
		L1	L2	L3	L4	L5
EVS-060-□-□-8** (S ≤ 8)	AA·AC·AD·AF·AG·AL·AM·AN·AQ	96	64.5	□52	15.5	32
	AB·AE·AH·AJ·AK	101	69.5	□52	20.5	37
	BA·BB·BD·BE·BG·BH·BJ	96	64.5	□60	15.5	32
	BC·BF	101	69.5	□60	20.5	37
	CA	101	69.5	□70	20.5	37
EVS-060-□-□-14** (8 < S ≤ 14)	BA·BB·BD·BE·BF·BG·BH·BJ·BK·BP	100	68.5	□65	16.5	35
	BC·BH·BM·BN	105	73.5	□65	21.5	40
	BL	110	78.5	□65	26.5	45
	CA·CC	100	68.5	□70	16.5	35
	CB	105	73.5	□70	21.5	40
	DA·DB·DC·DD·DF·DH·DJ	100	68.5	□80	16.5	35
	DE·DL	105	73.5	□80	21.5	40
	DG·DK	110	78.5	□80	26.5	45
	EA·EB·EC·EF·EG·EK·EL	100	68.5	□90	16.5	35
	EJ·EM	105	73.5	□90	21.5	40
	ED·EE·EH	110	78.5	□90	26.5	45
	FA	100	68.5	□100	16.5	35
	FB	110	78.5	□100	26.5	45
EVS-060-□-□-19** (14 < S ≤ 19)	DA·DB·DC	--	--	--	--	--
	DD	--	--	--	--	--
	DE	--	--	--	--	--
	EA	--	--	--	--	--
	EB·ED	--	--	--	--	--
	EC	--	--	--	--	--
	FA	--	--	--	--	--

\*1) Triple reduction : 1/15~ 1/100

\*2) Bushing will be inserted to adapt to motor shaft.

For an explanation on the Adapter Flange Code, please turn to page 422.

A more comprehensive adapter flange offering can be found using the NIDEC-SHIMPO Online Selector Tool. The variety is constantly expanding and being updated on the Selector Tool. If you have any questions or need any support, contact NIDEC-SHIMPO.