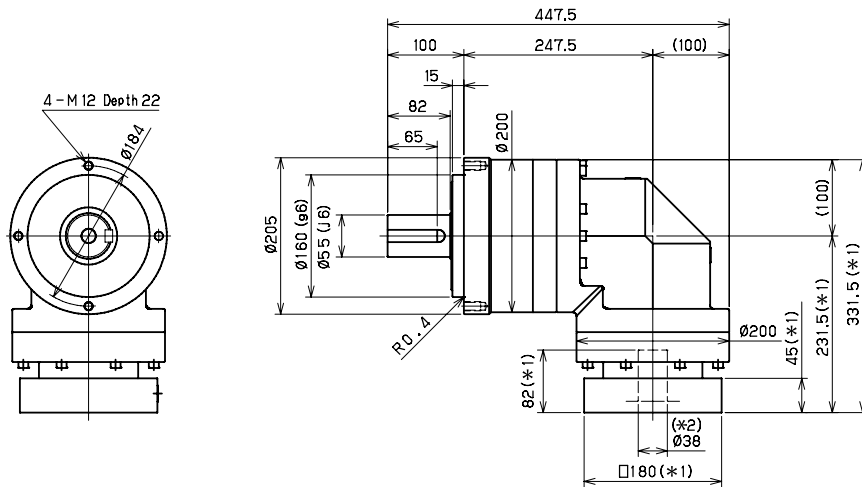


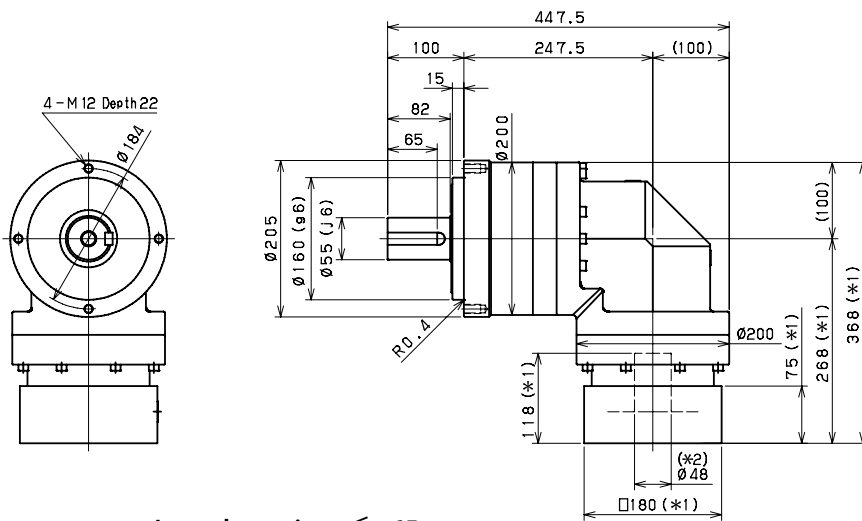
EVL SERIES Right-angle Planetary

EVL 205 2-Stage Dimensions

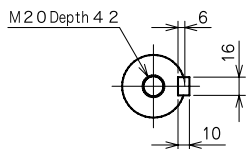
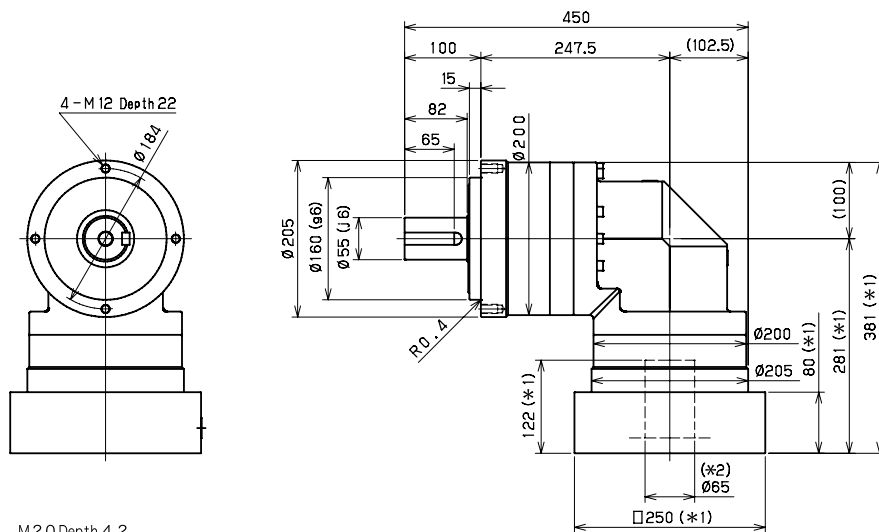
Input bore size $\leq \phi 38$ mm



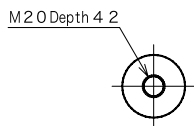
Input bore size $\leq \phi 48$ mm



Input bore size $\leq \phi 65$ mm



Keyed shaft



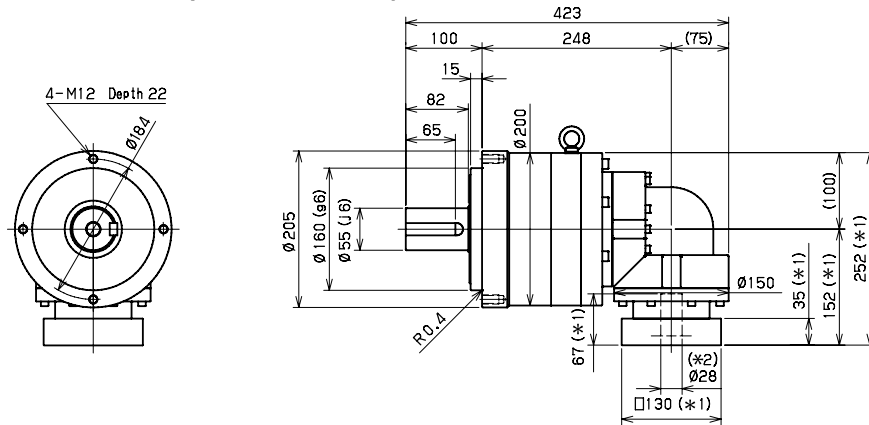
Smooth shaft

*1) Length will vary depending on motor.

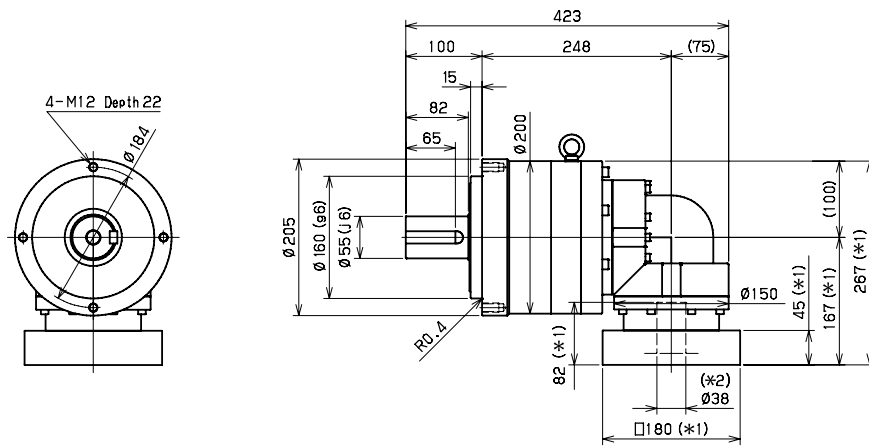
*2) Bushing will be inserted to adapt to motor shaft

EVL 205 3-Stage Dimensions

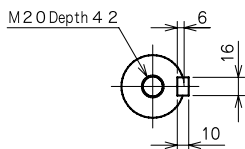
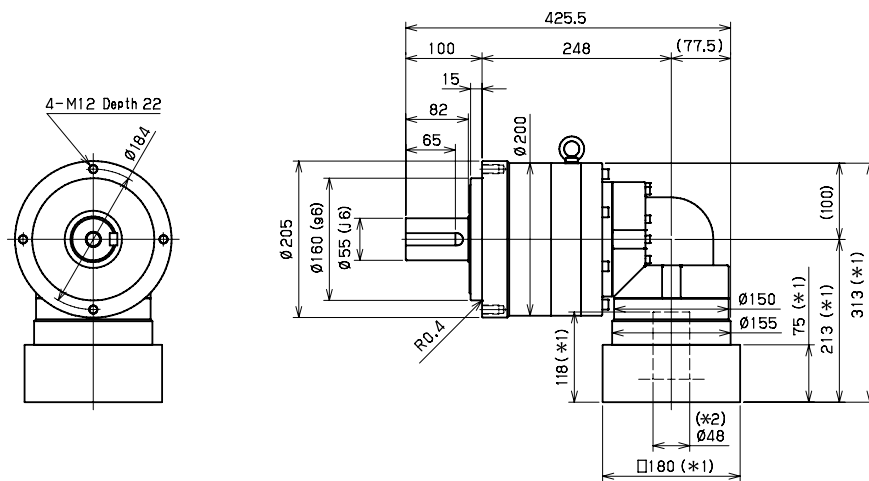
Input bore size $\leq \phi 28$ mm



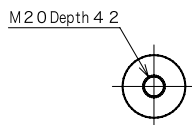
Input bore size $\leq \phi 38$ mm



Input bore size $\leq \phi 48$ mm



Keyed shaft



Smooth shaft

*1) Length will vary depending on motor.

*2) Bushing will be inserted to adapt to motor shaft