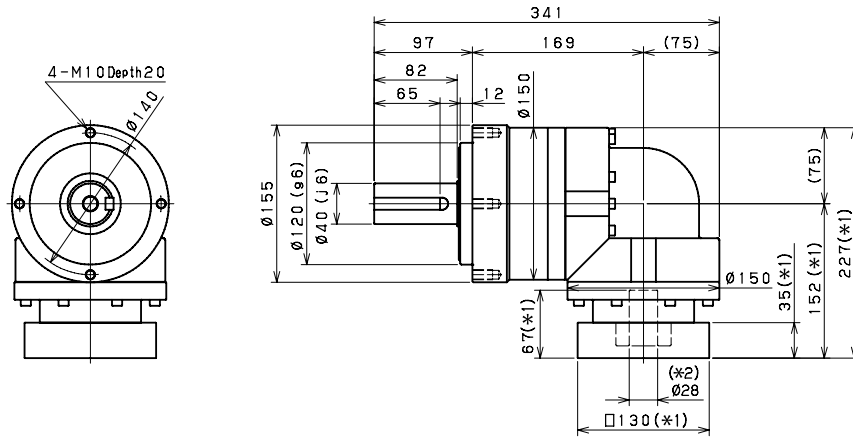


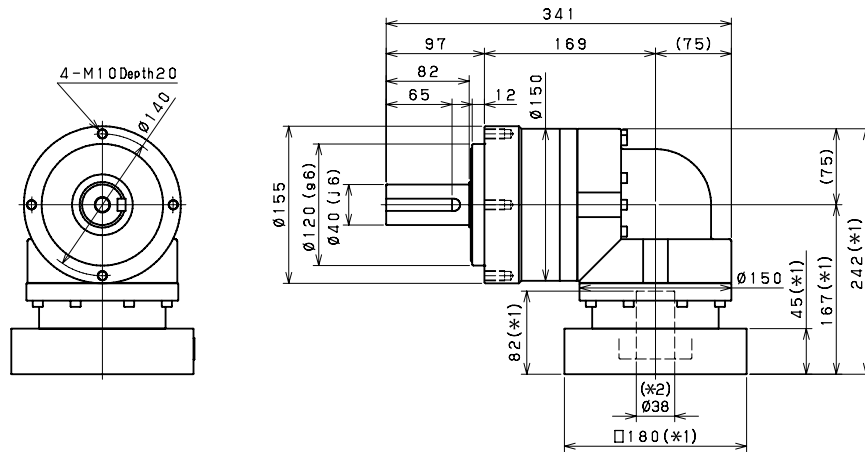
# EVL SERIES Right-angle Planetary

## EVL 155 2-Stage Dimensions

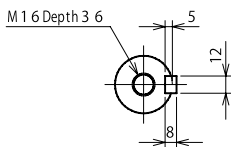
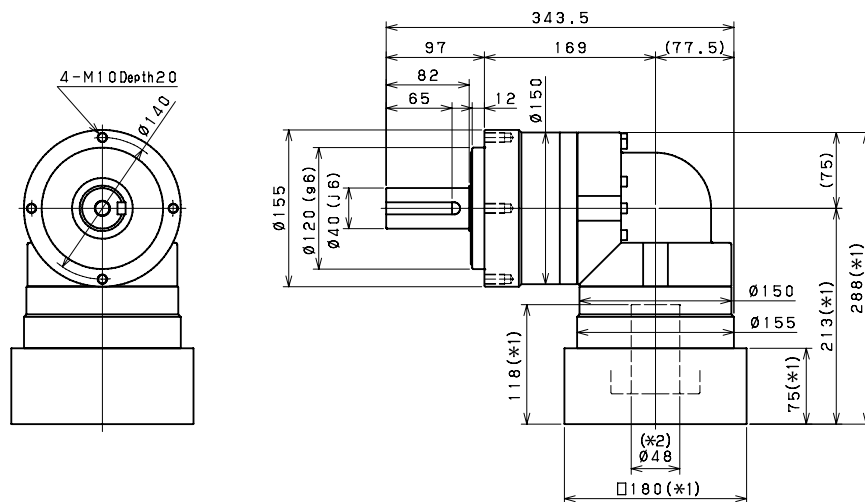
Input bore size  $\leq \varnothing 28$  mm



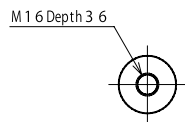
Input bore size  $\leq \varnothing 38$  mm



Input bore size  $\leq \varnothing 48$  mm



Keyed shaft



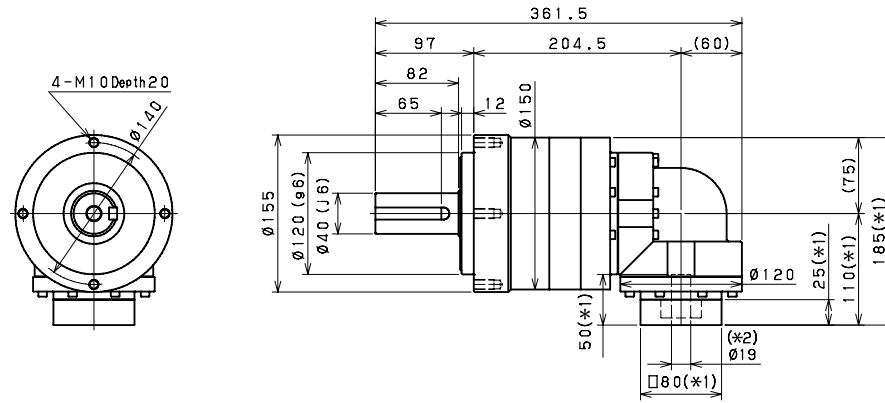
Smooth shaft

\*1) Length will vary depending on motor.

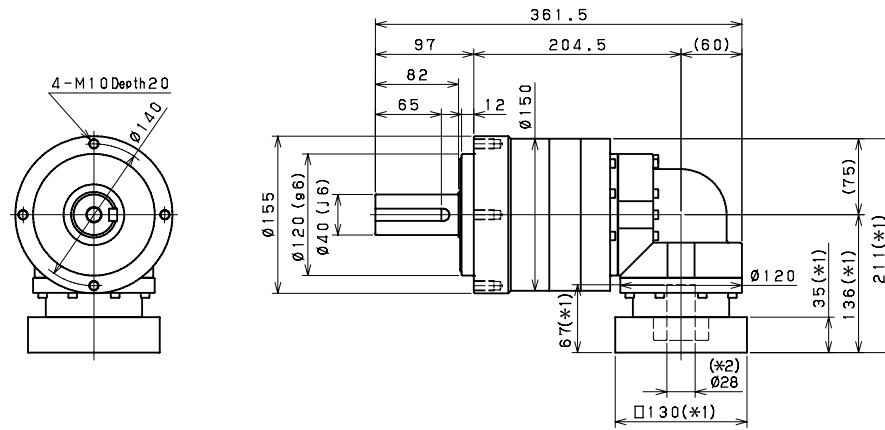
\*2) Bushing will be inserted to adapt to motor shaft

## EVL 155 3-Stage Dimensions

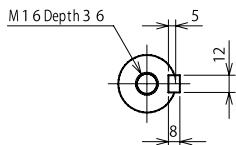
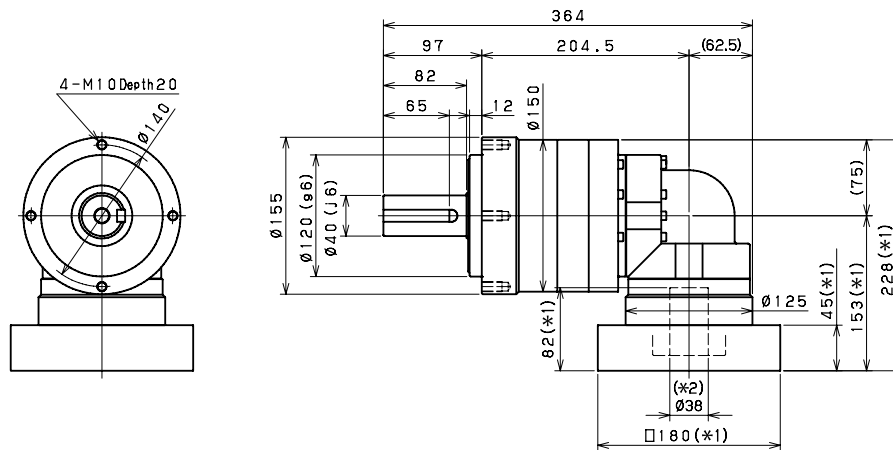
Input bore size  $\leq \phi 19$  mm



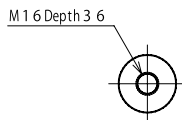
Input bore size  $\leq \phi 28$  mm



Input bore size  $\leq \phi 38$  mm



Keyed shaft



Smooth shaft

\*1) Length will vary depending on motor.

\*2) Bushing will be inserted to adapt to motor shaft