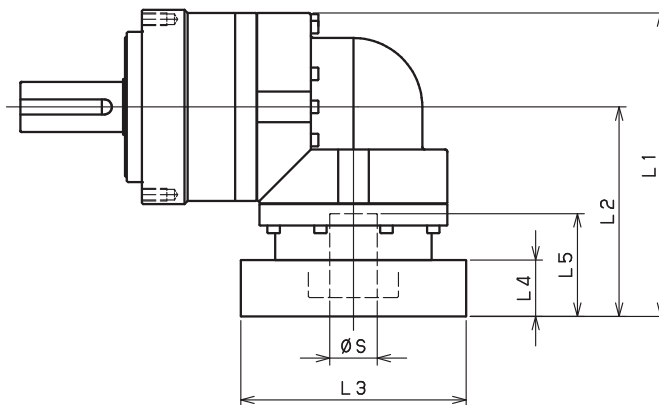


# EVL-SERIES Right-angle shaft

## EVL-155 – 2-Stage Adapter Dimensions



Model number	**: Adapter code	2-Stage				
		L1	L2	L3	L4	L5
EVL-155-□-□-19** (S≤19)	DA•DB•DC	--	--	--	--	--
	EB•ED	--	--	--	--	--
	FA	--	--	--	--	--
	FB	--	--	--	--	--
	GB•GD•GJ	--	--	--	--	--
	HA	--	--	--	--	--
	HB	--	--	--	--	--
	JA	--	--	--	--	--
EVL-155-□-□-28** (19 < S ≤ 28)	FA•FB•FC	229.5	152	□100	35	67
	GA•GB•GC•GD•GE•GF•GG•GH	229.5	152	□115	35	67
	HA•HC•HD	229.5	152	□130	35	67
	HB	239.5	162	□130	45	77
	HF	224.5	147	□130	30	62
	JA•JB•JC•JF	229.5	152	□150	35	67
	KA•KB•KE	229.5	152	□180	35	67
	LA	229.5	152	□200	35	67
	LB	239.5	162	□200	45	77
	MA	229.5	152	□220	35	67
	MB	239.5	162	□220	45	77
EVL-155-□-□-38** (28 < S ≤ 38)	HA	244.5	167	□130	45	82
	HB•HE	239.5	162	□130	40	77
	JA	244.5	167	□150	45	82
	KA•KB•KC	244.5	167	□180	45	82
	KD	279.5	202	□180	80	117
	KE	259.5	182	□180	60	97
	LB	254.5	177	□200	55	92
	MA•MB	244.5	167	□220	45	82
	MC	259.5	182	□220	60	97
MD	254.5	177	□220	55	92	
EVL-155-□-□-48** (38 < S ≤ 48)	KA	290.5	213	□180	75	118
	KB•KC	270.5	193	□180	55	98
	LA	270.5	193	□200	55	98
	MA	270.5	193	□220	55	98
	MB	290.5	213	□220	75	118

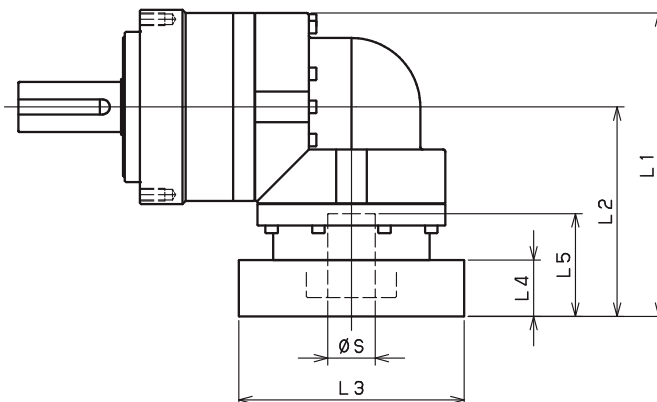
\*1) Double reduction : 1/3~ 1/10

\*2) Bushing will be inserted to adapt to motor shaft

For an explanation on the Adapter Flange Code, please turn to page 422.

A more comprehensive adapter flange offering can be found using the NIDEC-SHIMPO Online Selector Tool. The variety is constantly expanding and being updated on the Selector Tool. If you have any questions or need any support, contact NIDEC-SHIMPO.

## EVL-155 – 3-Stage Adapter Dimensions



Model number	**: Adapter code	3-Stage				
		L1	L2	L3	L4	L5
EVL-155-□-□-19** (S≤19)	DA•DB•DC	187.5	110	□80	25	50
	EB•ED	187.5	110	□90	25	50
	FA	187.5	110	□100	25	50
	FB	197.5	120	□100	35	60
	GB•GD•GJ	187.5	110	□115	25	50
	HA	187.5	110	□130	25	50
	HB	202.5	125	□130	40	65
	JA	197.5	120	□150	35	60
EVL-155-□-□-28** (19 < S ≤ 28)	FA•FB•FC	213.5	136	□100	35	67
	GA•GB•GC•GD•GE•GF•GG•GH	213.5	136	□115	35	67
	HA•HC•HD	213.5	136	□130	35	67
	HB	223.5	146	□130	45	77
	HF	208.5	131	□130	30	62
	JA•JB•JC•JF	213.5	136	□150	35	67
	KA•KB•KE	213.5	136	□180	35	67
	LA	213.5	136	□200	35	67
	LB	223.5	146	□200	45	77
	MA	213.5	136	□220	35	67
	MB	223.5	146	□220	45	77
	EVL-155-□-□-38** (28 < S ≤ 38)	HA	230.5	153	□130	45
HB•HE		225.5	148	□130	40	77
JA		230.5	153	□150	45	82
KA•KB•KC		230.5	153	□180	45	82
KD		265.5	188	□180	80	117
KE		245.5	168	□180	60	97
LB		240.5	163	□200	55	92
MA•MB		230.5	153	□220	45	82
MC		245.5	168	□220	60	97
MD		240.5	163	□220	55	92
EVL-155-□-□-48** (38 < S ≤ 48)	KA	--	--	--	--	--
	KB•KC	--	--	--	--	--
	LA	--	--	--	--	--
	MA	--	--	--	--	--
	MB	--	--	--	--	--

\*1) Triple reduction : 1/15~ 1/100

\*2) Bushing will be inserted to adapt to motor shaft

For an explanation on the Adapter Flange Code, please turn to page 422.

A more comprehensive adapter flange offering can be found using the NIDEC-SHIMPO Online Selector Tool. The variety is constantly expanding and being updated on the Selector Tool. If you have any questions or need any support, contact NIDEC-SHIMPO.