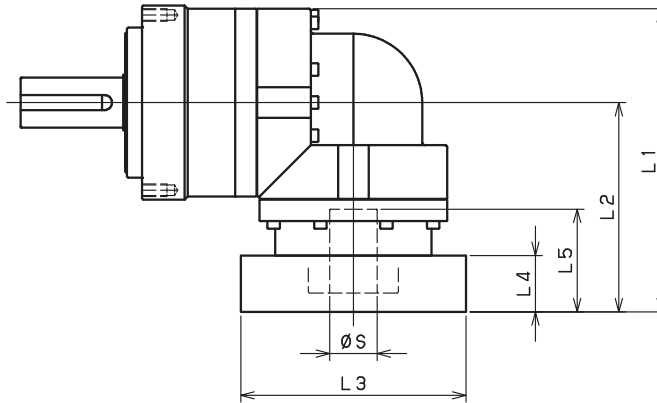


EVL-SERIES Right-angle shaft

EVL-120 – 2-Stage Adapter Dimensions



Model number	**: Adapter code	2-Stage				
		L1	L2	L3	L4	L5
EVL-120-□-□-14** (S ≤ 14)	BA•BB•BD•BE•BF•BG•BH•BJ•BK•BP	--	--	--	--	--
	BC•BH•BM•BN	--	--	--	--	--
	CA•CC	--	--	--	--	--
	DA•DB•DC•DD•DF•DH•DJ	--	--	--	--	--
	EA•EB•EC•EF•EG•EK•EL	--	--	--	--	--
	FA	--	--	--	--	--
	FB	--	--	--	--	--
	JA	--	--	--	--	--
EVL-120-□-□-19** (14 < S ≤ 19)	DA•DB•DC	170	110	□80	25	50
	EB•ED	170	110	□90	25	50
	FA	170	110	□100	25	50
	FB	180	120	□100	35	60
	GB•GD•GJ	170	110	□115	25	50
	HA	170	110	□130	25	50
	HB	185	125	□130	40	65
	JA	180	120	□150	35	60
EVL-120-□-□-28** (19 < S ≤ 28)	FA•FB•FC	196	136	□100	35	67
	FD•FE	191	131	□100	30	62
	GA•GB•GC•GD•GE•GF•GG•GH	196	136	□115	35	67
	HA•HC•HD	196	136	□130	35	67
	HB	206	146	□130	45	77
	HE	211	151	□130	50	82
	HF	191	131	□130	30	62
	JA•JB•JC•JF	196	136	□150	35	67
	JD	216	156	□150	55	87
	JE	206	146	□150	45	77
	KA•KB•KE	196	136	□180	35	67
	KD	206	146	□180	45	77
EVL-120-□-□-38** (28 < S ≤ 38)	HA	213	153	□130	45	82
	HB•HE	208	148	□130	40	77
	JA	213	153	□150	45	82
	KA•KB•KC	213	153	□180	45	82
	KD	248	188	□180	80	117
	KE	228	168	□180	60	97

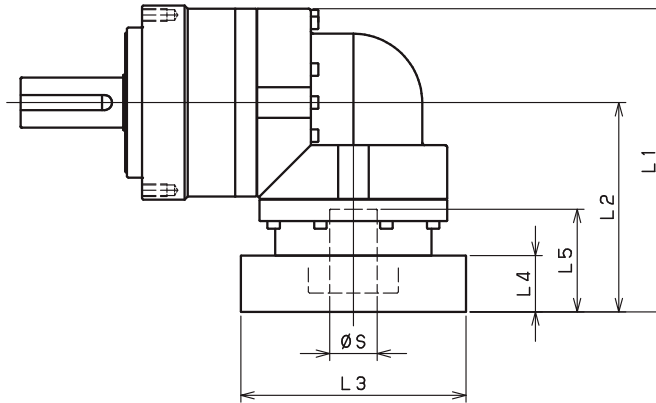
*1) Double reduction : 1/3~ 1/10

*2) Bushing will be inserted to adapt to motor shaft

For an explanation on the Adapter Flange Code, please turn to page 422.

A more comprehensive adapter flange offering can be found using the NIDEC-SHIMPO Online Selector Tool. The variety is constantly expanding and being updated on the Selector Tool. If you have any questions or need any support, contact NIDEC-SHIMPO.

EVL-120 – 3-Stage Adapter Dimensions



Model number	**: Adapter code	3-Stage				
		L1	L2	L3	L4	L5
EVL-120-□-□-14** (S ≤ 14)	BA•BB•BD•BE•BF•BG•BH•BJ•BK•BP	152	92	□65	16.5	35
	BC•BH•BM•BN	157	97	□65	21.5	40
	CA•CC	152	92	□70	16.5	35
	DA•DB•DC•DD•DF•DH•DJ	152	92	□80	16.5	35
	EA•EB•EC•EF•EG•EK•EL	152	92	□90	16.5	35
	FA	152	92	□100	16.5	35
	FB	162	102	□100	26.5	45
	JA	167	107	□150	31.5	50
EVL-120-□-□-19** (14 < S ≤ 19)	DA•DB•DC	160	100	□80	25	50
	EB•ED	160	100	□90	25	50
	FA	160	100	□100	25	50
	FB	170	110	□100	35	60
	GB•GD•GJ	160	100	□115	25	50
	HA	160	100	□130	25	50
	HB	175	115	□130	40	65
	JA	170	110	□150	35	60
EVL-120-□-□-28** (19 < S ≤ 28)	FA•FB•FC	189	129	□100	35	67
	FD•FE	184	124	□100	30	62
	GA•GB•GC•GD•GE•GF•GG•GH	189	129	□115	35	67
	HA•HC•HD	189	129	□130	35	67
	HB	199	139	□130	45	77
	HE	204	144	□130	50	82
	HF	184	124	□130	30	62
	JA•JB•JC•JF	189	129	□150	35	67
	JD	209	149	□150	55	87
	JE	199	139	□150	45	77
	KA•KB•KE	189	129	□180	35	67
	KD	199	139	□180	45	77
EVL-120-□-□-38** (28 < S ≤ 38)	HA	--	--	--	--	--
	HB•HE	--	--	--	--	--
	JA	--	--	--	--	--
	KA•KB•KC	--	--	--	--	--
	KD	--	--	--	--	--
	KE	--	--	--	--	--

*1) Triple reduction : 1/15~ 1/100

*2) Bushing will be inserted to adapt to motor shaft

For an explanation on the Adapter Flange Code, please turn to page 422.

A more comprehensive adapter flange offering can be found using the NIDEC-SHIMPO Online Selector Tool. The variety is constantly expanding and being updated on the Selector Tool. If you have any questions or need any support, contact NIDEC-SHIMPO.