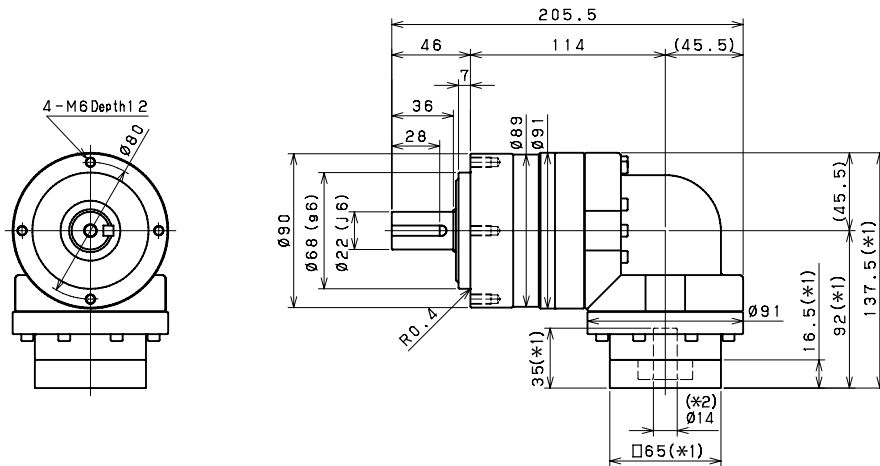


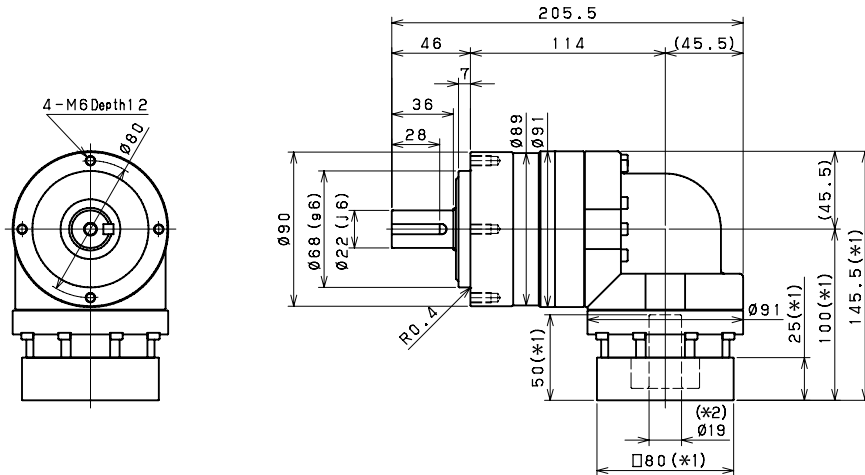
# EVL SERIES Right-angle Planetary

## EVL 090 2-Stage Dimensions

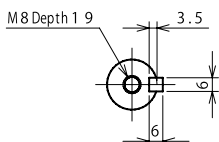
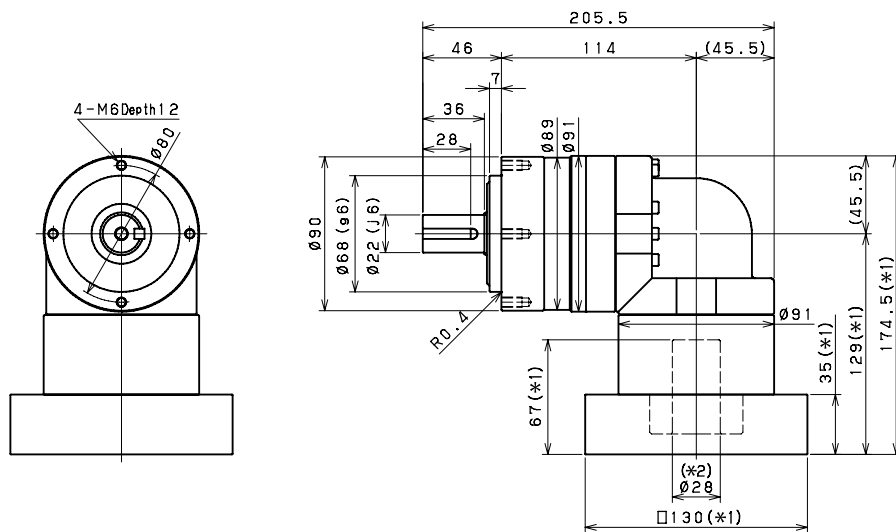
Input bore size  $\leq \phi 14$  mm



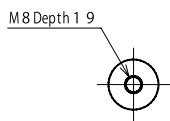
Input bore size  $\leq \phi 19$  mm



Input bore size  $\leq \phi 28$  mm



Keyed shaft



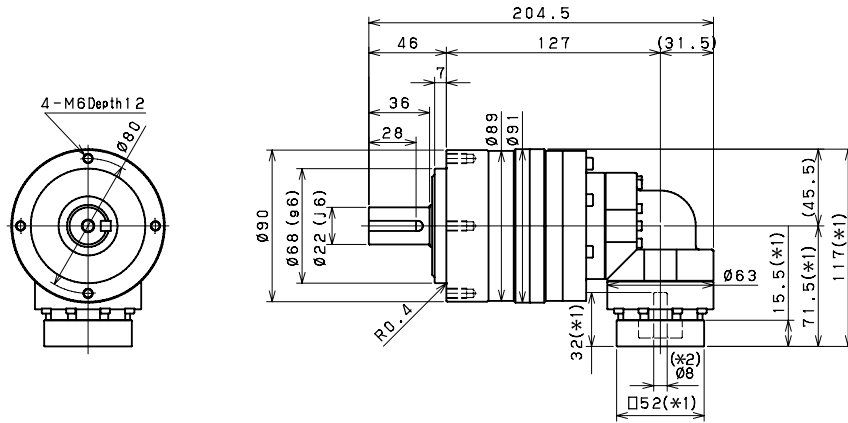
Smooth shaft

\*1) Length will vary depending on motor.

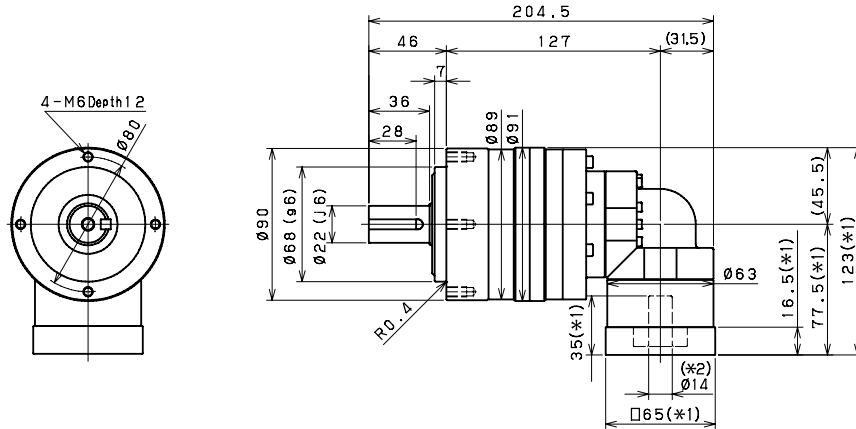
\*2) Bushing will be inserted to adapt to motor shaft

## EVL 090 3-Stage Dimensions

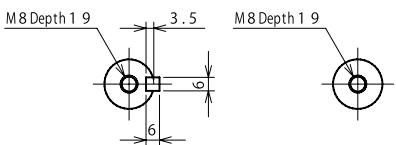
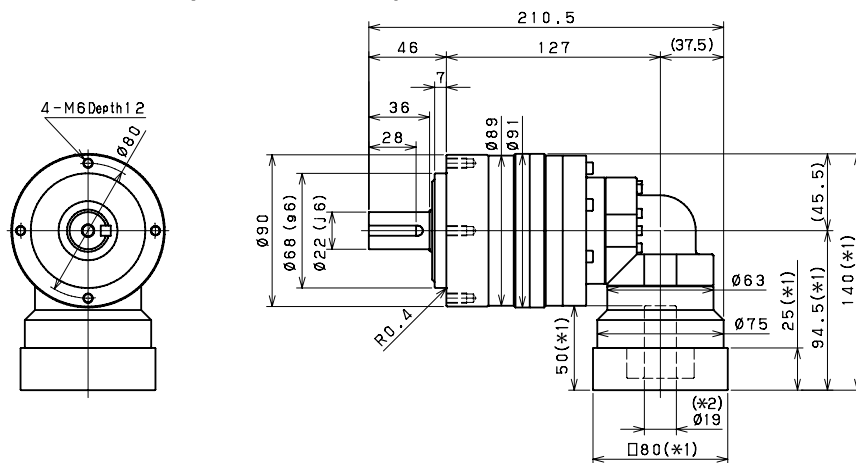
Input bore size  $\leq \phi 8$  mm



Input bore size  $\leq \phi 14$  mm



Input bore size  $\leq \phi 19$  mm



Keyed shaft

Smooth shaft

\*1) Length will vary depending on motor.

\*2) Bushing will be inserted to adapt to motor shaft

EVL