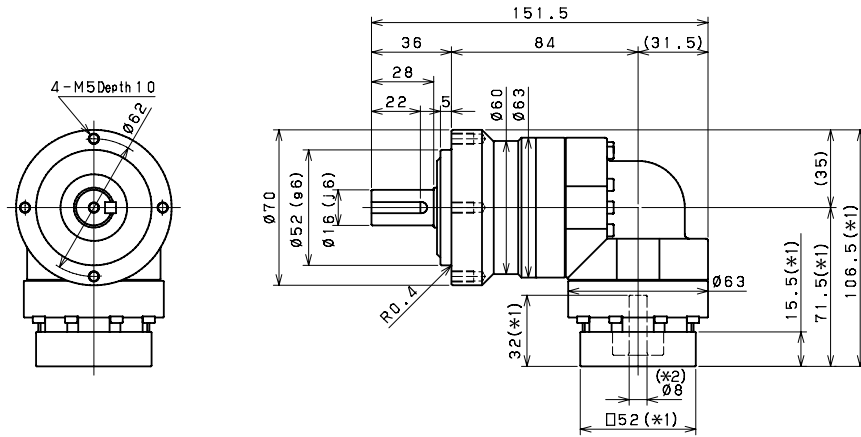


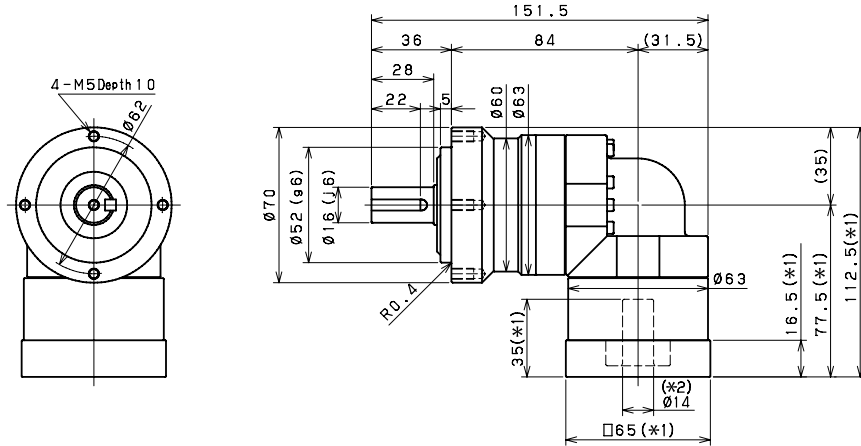
# EVL SERIES Right-angle Planetary

## EVL 070 2-Stage Dimensions

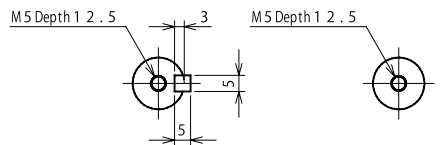
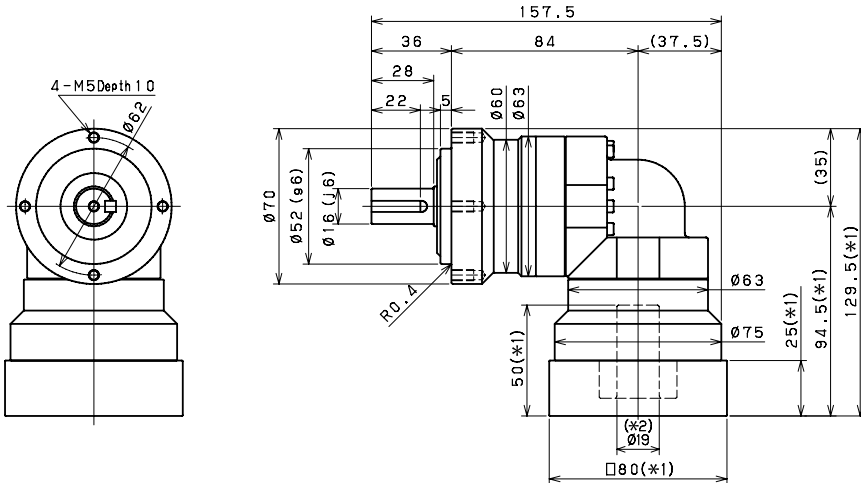
Input bore size  $\leq \phi 8$  mm



Input bore size  $\leq \phi 14$  mm



Input bore size  $\leq \phi 19$  mm



Keyed shaft

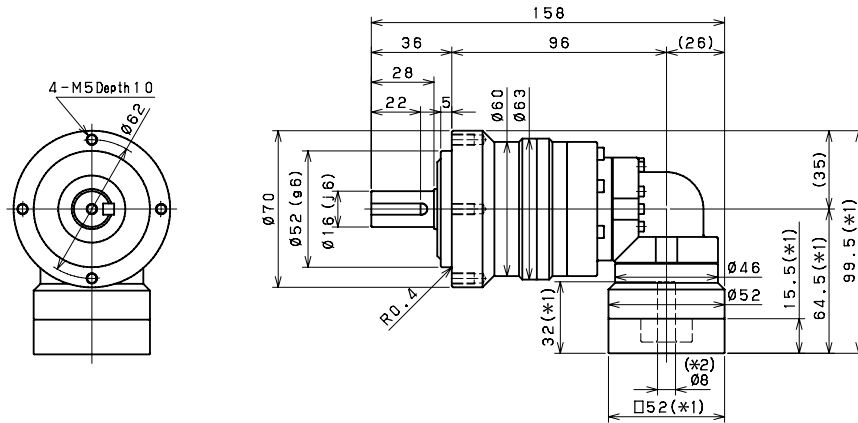
Smooth shaft

\*1) Length will vary depending on motor

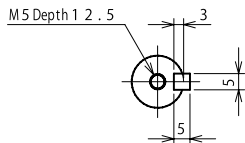
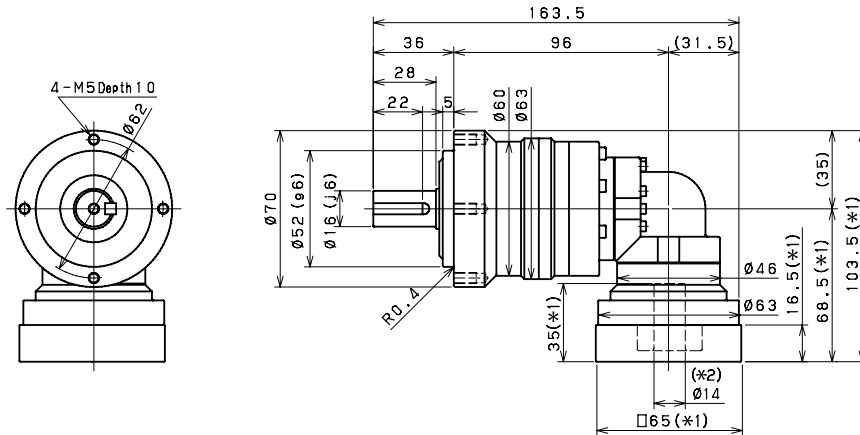
\*2) Bushing will be inserted to adapt to motor shaft

## EVL 070 3-Stage Dimensions

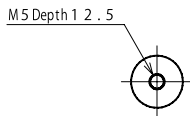
Input bore size  $\leq \phi 8$  mm



Input bore size  $\leq \phi 14$  mm



Keyed shaft



Smooth shaft

- \*1) Length will vary depending on motor
- \*2) Bushing will be inserted to adapt to motor shaft

EVL