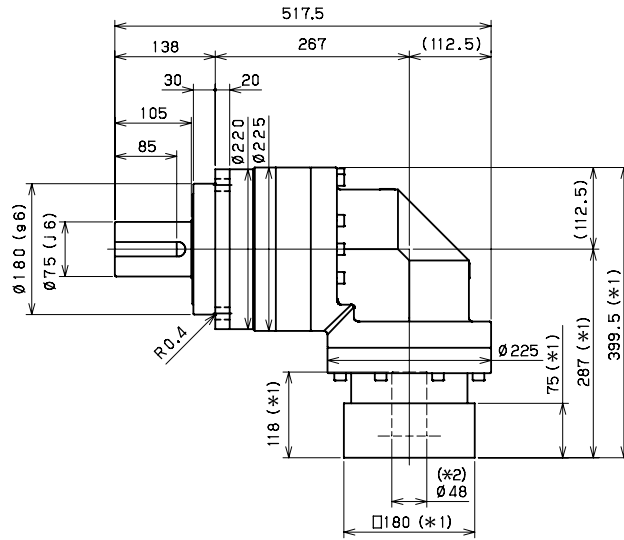
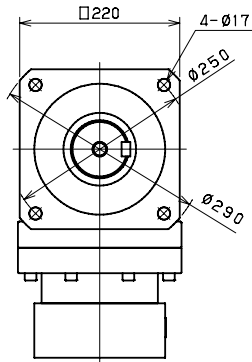


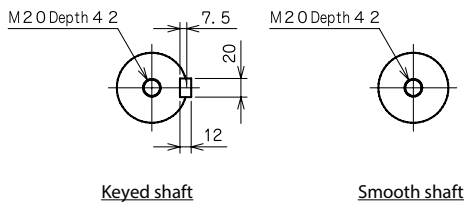
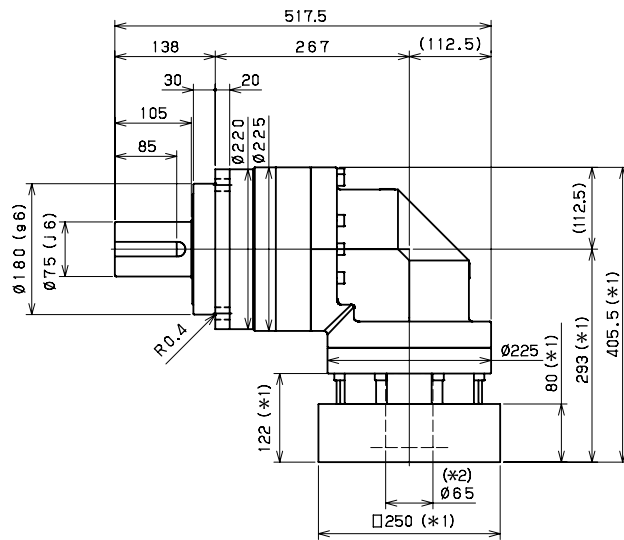
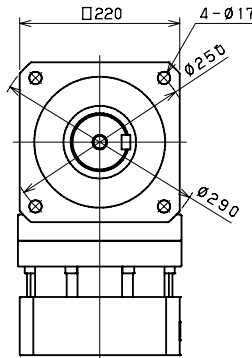
EVB SERIES Right-angle Planetary

EVB 220 2-Stage Dimensions

Input bore size $\leq \phi 48$ mm



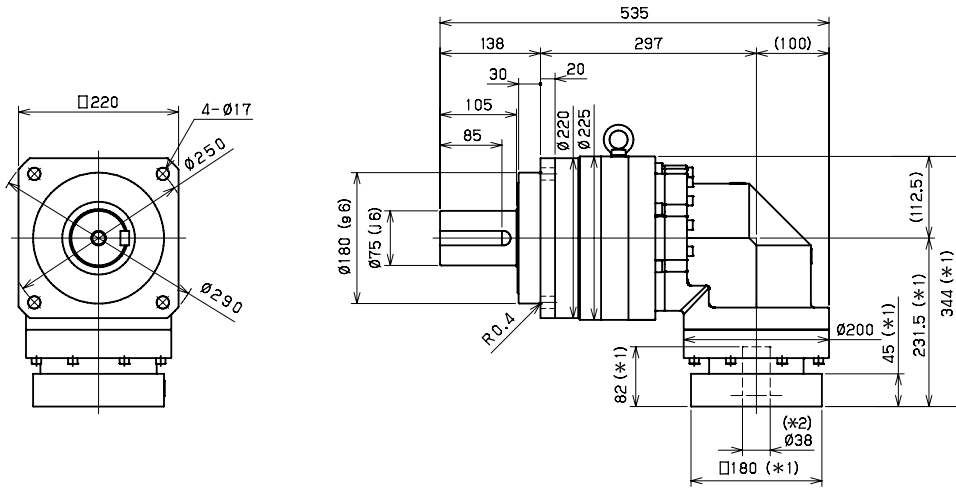
Input bore size $\leq \phi 65$ mm



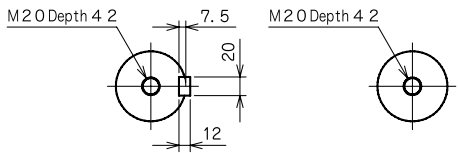
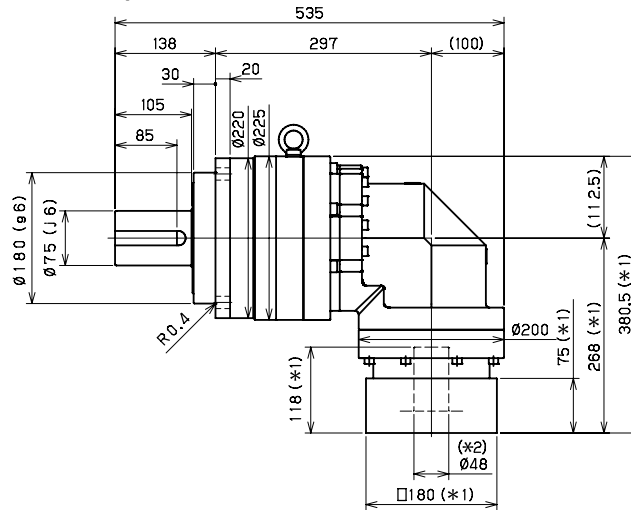
- *1) Length will vary depending on motor
- *2) Bushing will be inserted to adapt to motor shaft

EVB 220 3-Stage Dimensions

Input bore size $\leq \phi 38$ mm



Input bore size $\leq \phi 48$ mm



Keyed shaft

Smooth shaft

*1) Length will vary depending on motor

*2) Bushing will be inserted to adapt to motor shaft