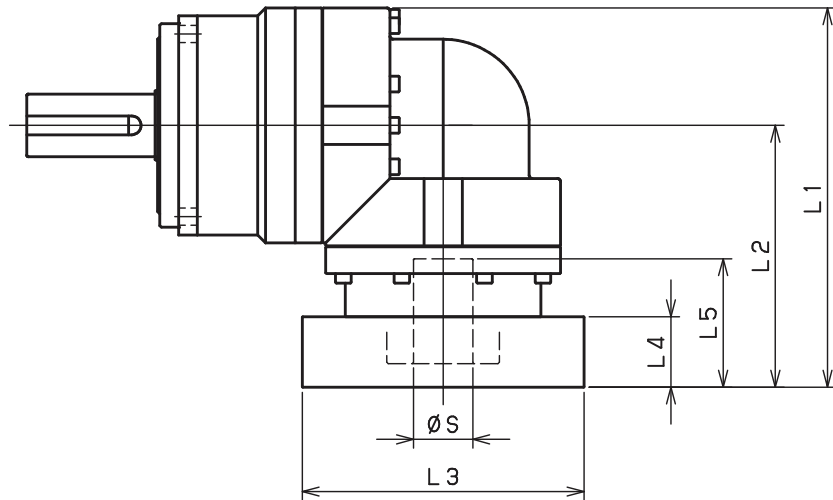


## EVB-220 – 2-Stage Adapter Dimensions



Model number	**: Adapter code	2-Stage				
		L1	L2	L3	L4	L5
EVB-220-□-□-38** (S ≤ 38)	HA	--	--	--	--	--
	HB-HE	--	--	--	--	--
	JA	--	--	--	--	--
	KA-KB-KC	--	--	--	--	--
	KD	--	--	--	--	--
	KE	--	--	--	--	--
	LA	--	--	--	--	--
	LB	--	--	--	--	--
	MA-MB	--	--	--	--	--
	MC	--	--	--	--	--
	MD	--	--	--	--	--
NA	--	--	--	--	--	
EVB-220-□-□-48** (38 < S ≤ 48)	KA	399.5	287	□180	75	118
	KB-KC	379.5	267	□180	55	98
	LA	379.5	267	□200	55	98
	MA	379.5	267	□220	55	98
	MB	399.5	287	□220	75	118
	NA	399.5	287	□250	75	118
	PA	399.5	287	□280	75	118
EVB-220-□-□-65** (48 < S ≤ 65)	MA-MB-MC-MD	405.5	293	□220	80	122
	NA-NC	405.5	293	□250	80	122
	NB-ND	435.5	323	□250	110	152
	PA	425.5	313	□280	100	142
	PB	435.5	323	□280	110	152
	QA-QB	425.5	313	□320	100	142

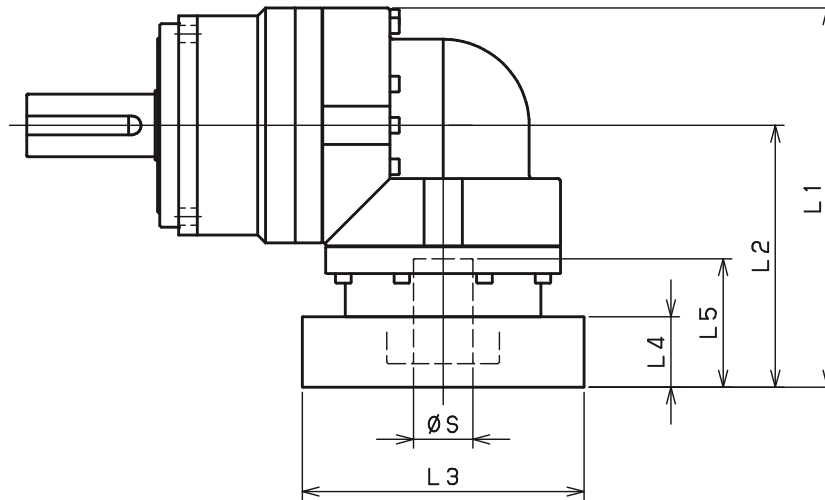
\*1) Double reduction : 1/3~ 1/10

\*2) Bushing will be inserted to adapt to motor shaft

For an explanation on the Adapter Flange Code, please turn to page 422.

A more comprehensive adapter flange offering can be found using the NIDEC-SHIMPO Online Selector Tool. The variety is constantly expanding and being updated on the Selector Tool. If you have any questions or need any support, contact NIDEC-SHIMPO.

## EVB-220 – 3-Stage Adapter Dimensions



Model number	**: Adapter code	3-Stage				
		L1	L2	L3	L4	L5
EVB-220-□-□-38** (S ≤ 38)	HA	344	231.5	□130	45	82
	HB-HE	339	226.5	□130	40	77
	JA	344	231.5	□150	45	82
	KA-KB-KC	344	231.5	□180	45	82
	KD	379	266.5	□180	80	117
	KE	359	246.5	□180	60	97
	LA	344	231.5	□200	45	82
	LB	354	241.5	□200	55	92
	MA-MB	344	231.5	□220	45	82
	MC	359	246.5	□220	60	97
	MD	354	241.5	□220	55	92
NA	344	231.5	□250	45	82	
EVB-220-□-□-48** (38 < S ≤ 48)	KA	380.5	268	□180	75	118
	KB-KC	360.5	248	□180	55	98
	LA	360.5	248	□200	55	98
	MA	360.5	248	□220	55	98
	MB	380.5	268	□220	75	118
	NA	380.5	268	□250	75	118
	PA	380.5	268	□280	75	118
EVB-220-□-□-65** (48 < S ≤ 65)	MA-MB-MC-MD	--	--	--	--	--
	NA-NC	--	--	--	--	--
	NB-ND	--	--	--	--	--
	PA	--	--	--	--	--
	PB	--	--	--	--	--
	QA-QB	--	--	--	--	--

\*1) Triple reduction : 1/15~ 1/100

\*2) Bushing will be inserted to adapt to motor shaft

For an explanation on the Adapter Flange Code, please turn to page 422.

A more comprehensive adapter flange offering can be found using the NIDEC-SHIMPO Online Selector Tool. The variety is constantly expanding and being updated on the Selector Tool. If you have any questions or need any support, contact NIDEC-SHIMPO.