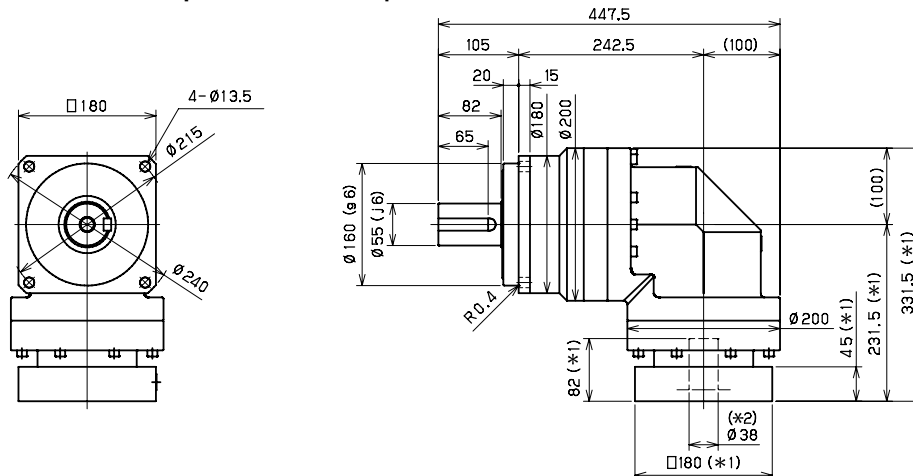


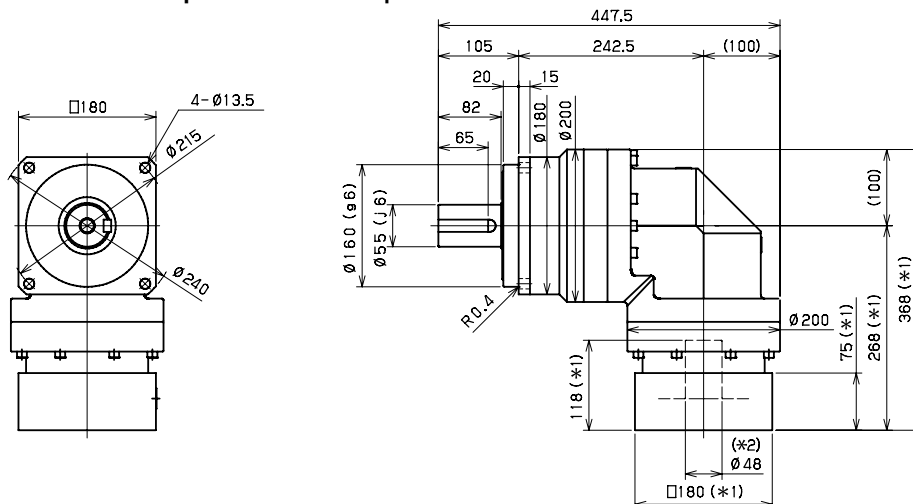
# EVB SERIES Right-angle Planetary

## EVB 180 2-Stage Dimensions

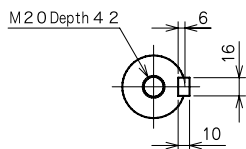
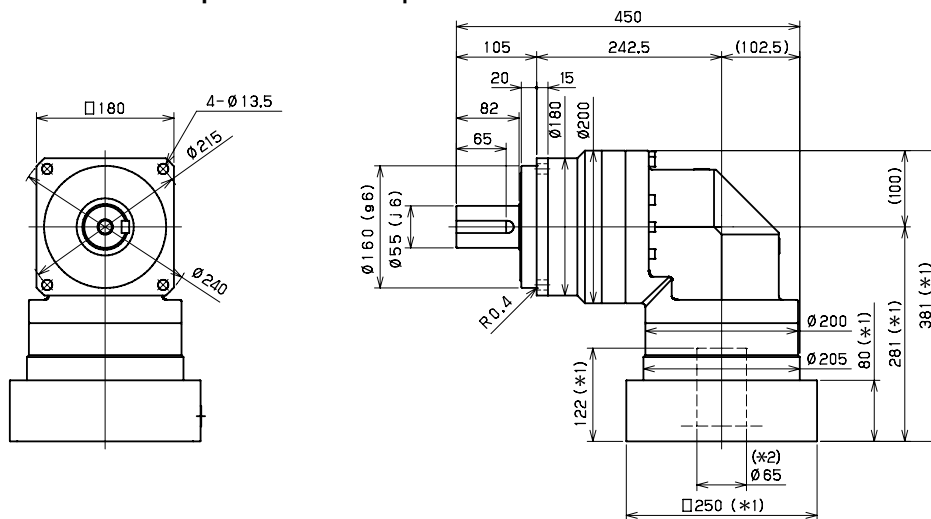
Input bore size  $\leq \varnothing 38$  mm



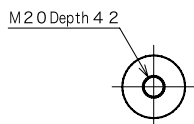
Input bore size  $\leq \varnothing 48$  mm



Input bore size  $\leq \varnothing 65$  mm



Keyed shaft



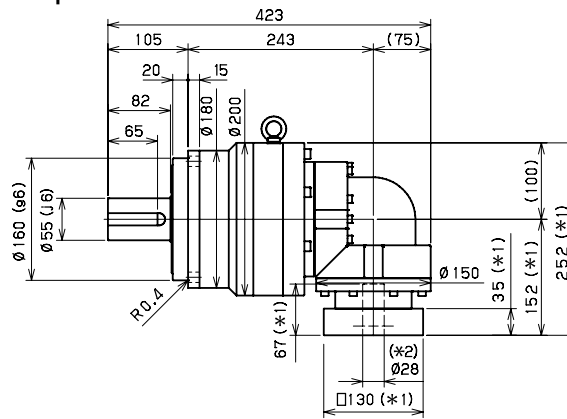
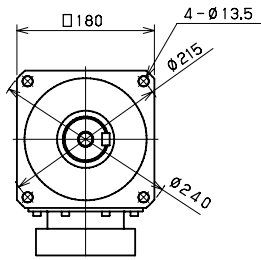
Smooth shaft

\*1) Length will vary depending on motor

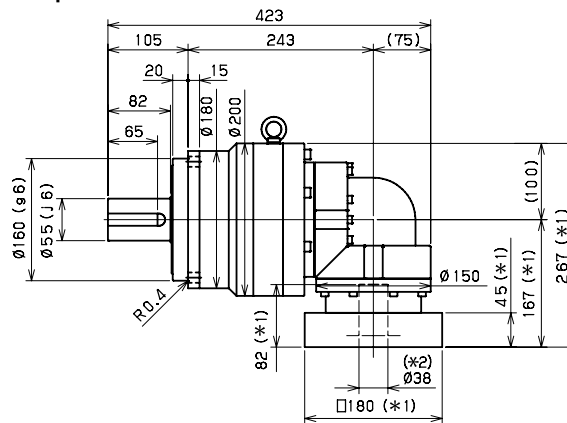
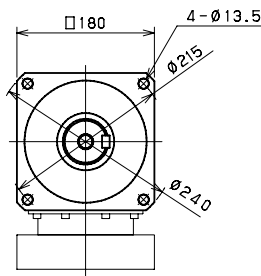
\*2) Bushing will be inserted to adapt to motor shaft

## EVB 180 3-Stage Dimensions

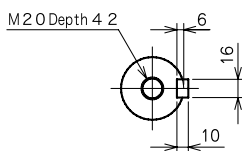
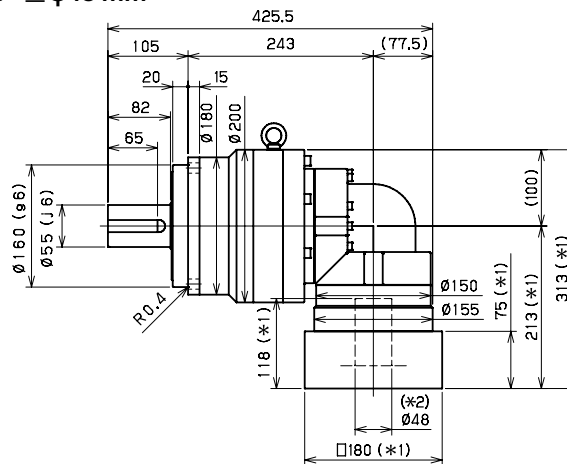
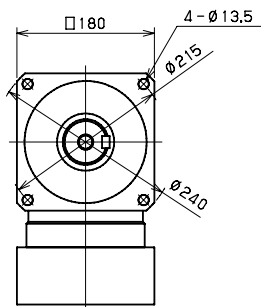
Input bore size  $\leq \varnothing 28$  mm



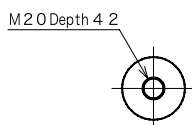
Input bore size  $\leq \varnothing 38$  mm



Input bore size  $\leq \varnothing 48$  mm



Keyed shaft



Smooth shaft

\*1) Length will vary depending on motor

\*2) Bushing will be inserted to adapt to motor shaft