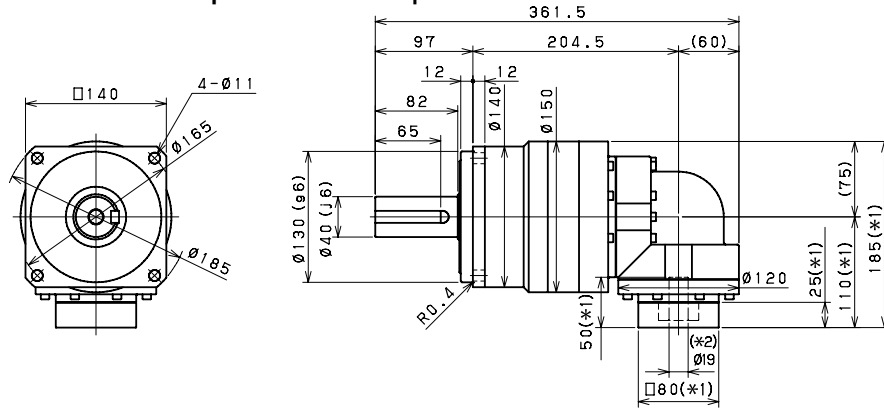
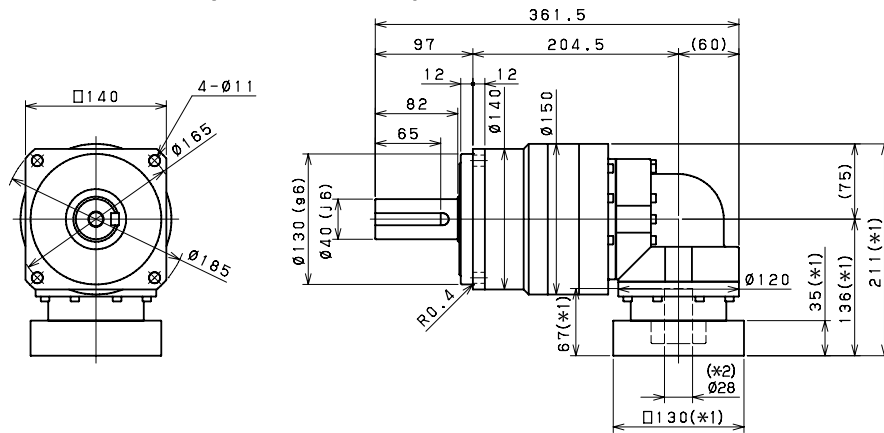


EVB 140 3-Stage Dimensions

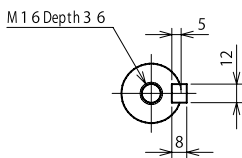
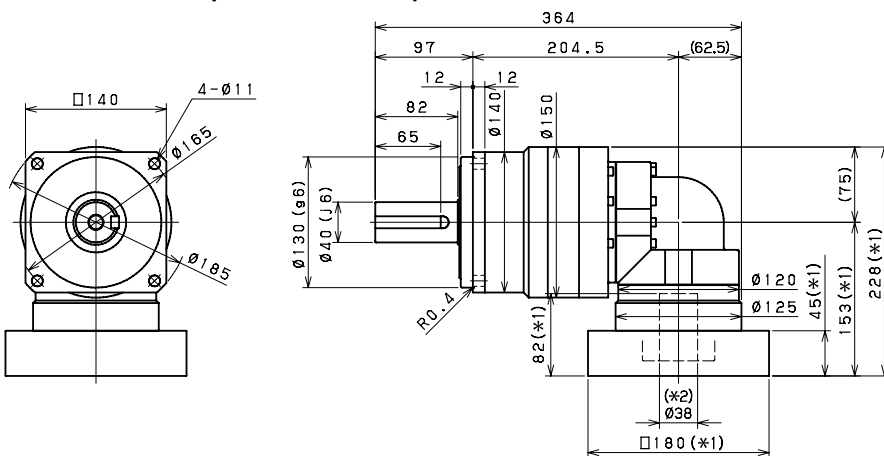
Input bore size $\leq \phi 19$ mm



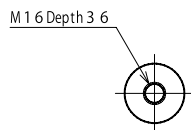
Input bore size $\leq \phi 28$ mm



Input bore size $\leq \phi 38$ mm



Keyed shaft



Smooth shaft

*1) Length will vary depending on motor

*2) Bushing will be inserted to adapt to motor shaft