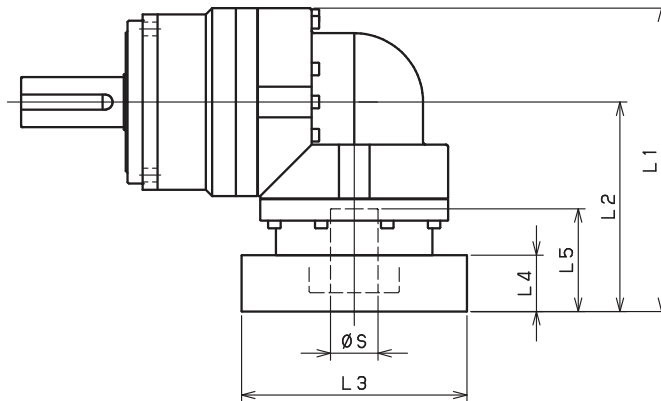


EVB-SERIES Right-angle shaft

EVB-140 – 2-Stage Adapter Dimensions



Model number	**: Adapter code	2-Stage				
		L1	L2	L3	L4	L5
EVB-140-□-□-19** (S ≤ 19)	DA·DB·DC	--	--	--	--	--
	EB·ED	--	--	--	--	--
	FA	--	--	--	--	--
	FB	--	--	--	--	--
	GB·GD·GJ	--	--	--	--	--
	HA	--	--	--	--	--
	HB	--	--	--	--	--
	JA	--	--	--	--	--
EVB-140-□-□-28** (19 < S ≤ 28)	FA·FB·FC	227	152	□100	35	67
	GA·GB·GC·GD·GE·GF·GG·GH	227	152	□115	35	67
	HA·HC·HD	227	152	□130	35	67
	HB	237	162	□130	45	77
	HF	222	147	□130	30	62
	JA·JB·JC·JF	227	152	□150	35	67
	KA·KB·KE	227	152	□180	35	67
	LA	227	152	□200	35	67
	LB	237	162	□200	45	77
	MA	227	152	□220	35	67
EVB-140-□-□-38** (28 < S ≤ 38)	MB	237	162	□220	45	77
	HA	242	167	□130	45	82
	HB·HE	237	162	□130	40	77
	JA	242	167	□150	45	82
	KA·KB·KC	242	167	□180	45	82
	KD	277	202	□180	80	117
	KE	257	182	□180	60	97
	LA	242	167	□200	45	82
	LB	252	177	□200	55	92
	MA·MB	242	167	□220	45	82
EVB-140-□-□-48** (38 < S ≤ 48)	MC	257	182	□220	60	97
	MD	252	177	□220	55	92
	KA	288	213	□180	75	118
	KB·KC	268	193	□180	55	98
	LA	268	193	□200	55	98
MA	268	193	□220	55	98	
MB	288	213	□220	75	118	

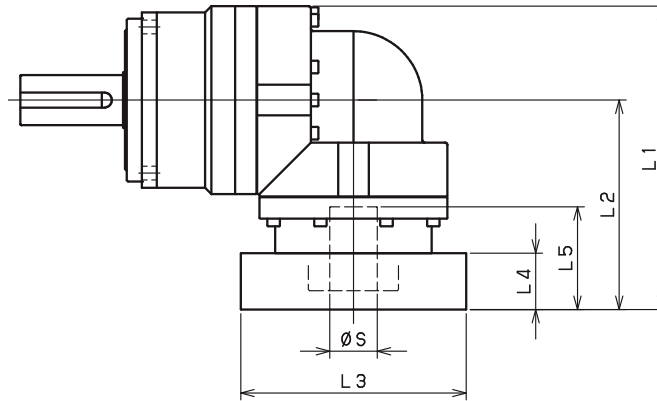
*1) Double reduction : 1/3~ 1/10

*2) Bushing will be inserted to adapt to motor shaft

For an explanation on the Adapter Flange Code, please turn to page 422.

A more comprehensive adapter flange offering can be found using the NIDEC-SHIMPO Online Selector Tool. The variety is constantly expanding and being updated on the Selector Tool. If you have any questions or need any support, contact NIDEC-SHIMPO.

EVB-140 – 3-Stage Adapter Dimensions



Model number	**: Adapter code	3-Stage				
		L1	L2	L3	L4	L5
EVB-140-□-□-19** (S ≤ 19)	DA·DB·DC	185	110	□80	25	50
	EB·ED	185	110	□90	25	50
	FA	185	110	□100	25	50
	FB	195	120	□100	35	60
	GB·GD·GJ	185	110	□115	25	50
	HA	185	110	□130	25	50
	HB	200	125	□130	40	65
EVB-140-□-□-28** (19 < S ≤ 28)	JA	195	120	□150	35	60
	FA·FB·FC	211	136	□100	35	67
	GA·GB·GC·GD·GE·GF·GG·GH	211	136	□115	35	67
	HA·HC·HD	211	136	□130	35	67
	HB	221	146	□130	45	77
	HF	206	131	□130	30	62
	JA·JB·JC·JF	211	136	□150	35	67
	KA·KB·KE	211	136	□180	35	67
	LA	211	136	□200	35	67
	LB	221	146	□200	45	77
EVB-140-□-□-38** (28 < S ≤ 38)	MA	211	136	□220	35	67
	MB	221	146	□220	45	77
	HA	228	153	□130	45	82
	HB·HE	223	148	□130	40	77
	JA	228	153	□150	45	82
	KA·KB·KC	228	153	□180	45	82
	KD	263	188	□180	80	117
	KE	243	168	□180	60	97
	LA	228	153	□200	45	82
	LB	238	163	□200	55	92
EVB-140-□-□-48** (38 < S ≤ 48)	MA·MB	228	153	□220	45	82
	MC	243	168	□220	60	97
	MD	238	163	□220	55	92
	KA	--	--	--	--	--
	KB·KC	--	--	--	--	--
LA	--	--	--	--	--	
MA	--	--	--	--	--	
MB	--	--	--	--	--	

*1) Triple reduction : 1/15~ 1/100

*2) Bushing will be inserted to adapt to motor shaft

For an explanation on the Adapter Flange Code, please turn to page 422.

A more comprehensive adapter flange offering can be found using the NIDEC-SHIMPO Online Selector Tool. The variety is constantly expanding and being updated on the Selector Tool. If you have any questions or need any support, contact NIDEC-SHIMPO.