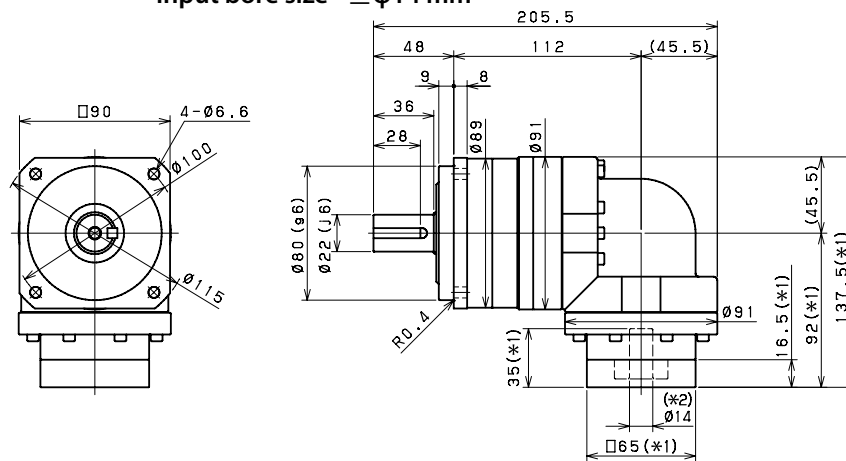


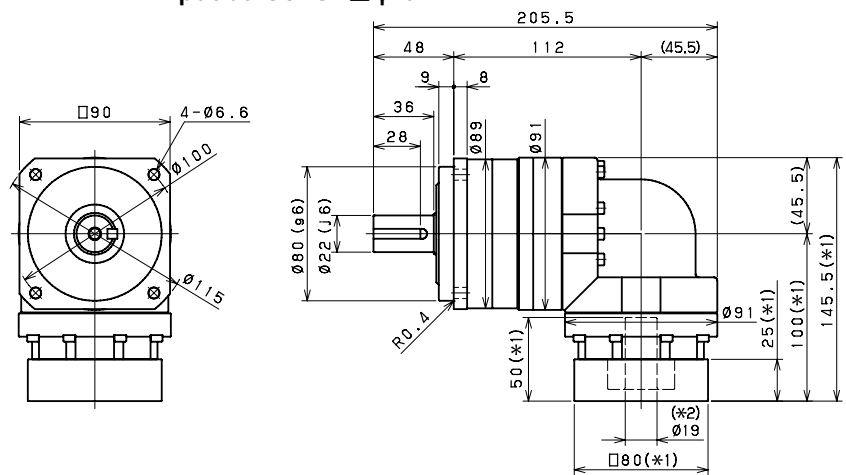
EVB SERIES Right-angle Planetary

EVB 090 2-Stage Dimensions

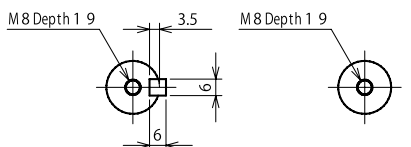
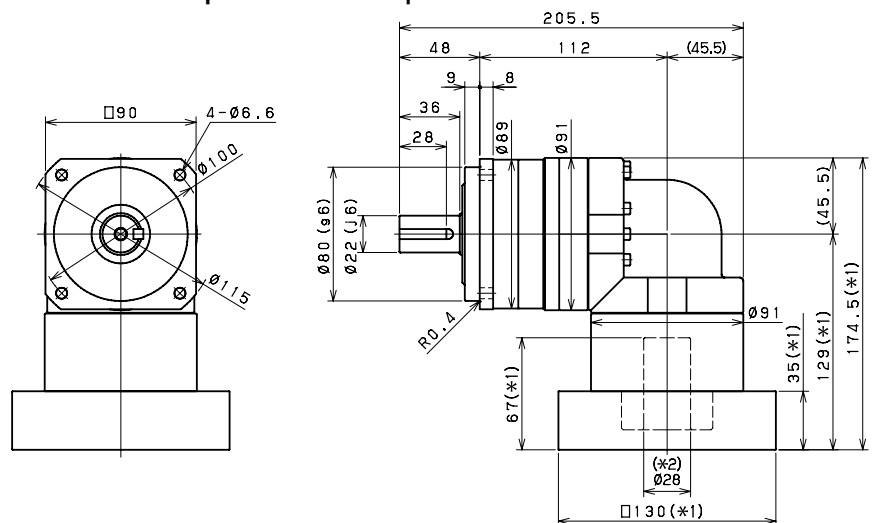
Input bore size $\leq \phi 14$ mm



Input bore size $\leq \phi 19$ mm



Input bore size $\leq \phi 28$ mm



Keyed shaft

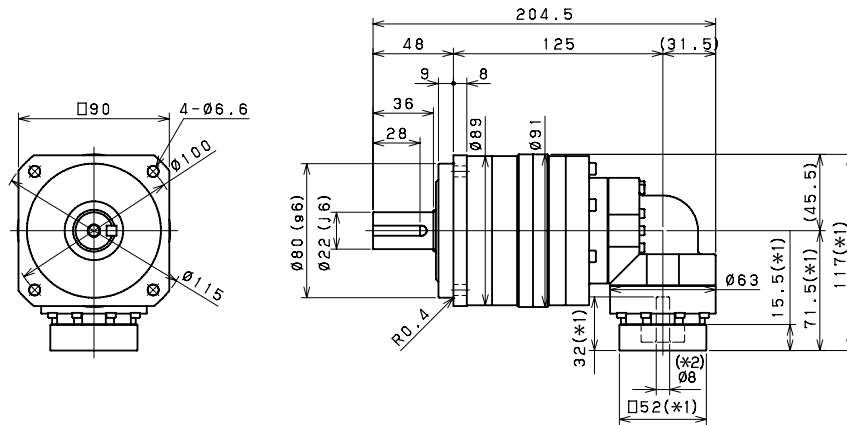
Smooth shaft

*1) Length will vary depending on motor

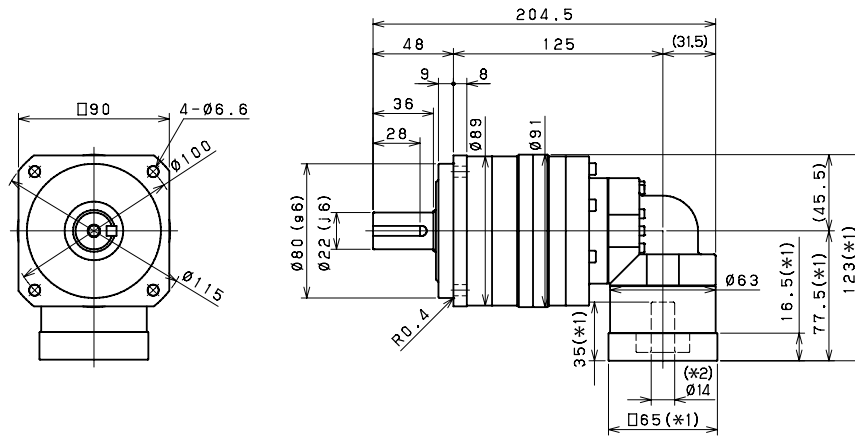
*2) Bushing will be inserted to adapt to motor shaft

EVb 090 3-Stage Dimensions

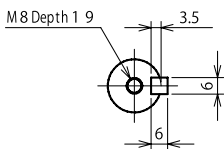
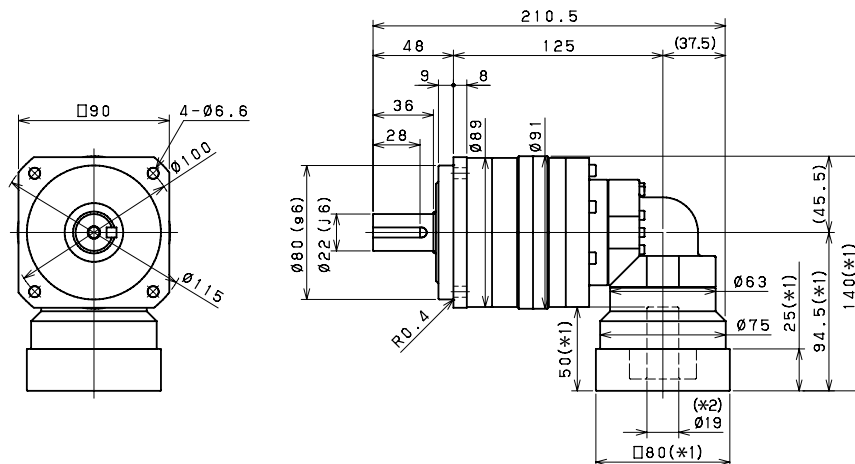
Input bore size $\leq \phi 8$ mm



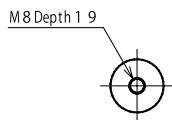
Input bore size $\leq \phi 14$ mm



Input bore size $\leq \phi 19$ mm



Keyed shaft



Smooth shaft

*1) Length will vary depending on motor

*2) Bushing will be inserted to adapt to motor shaft